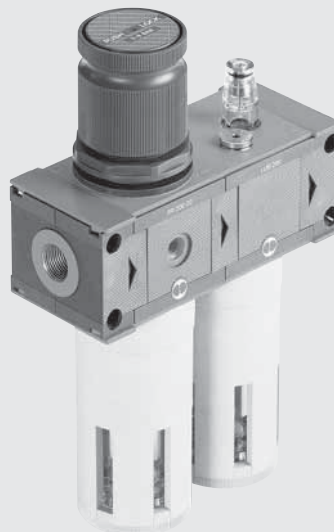


# FR + LUB Skillair®

Refer to the sections on the single modules for a further description, components and other technical data.



UNITS

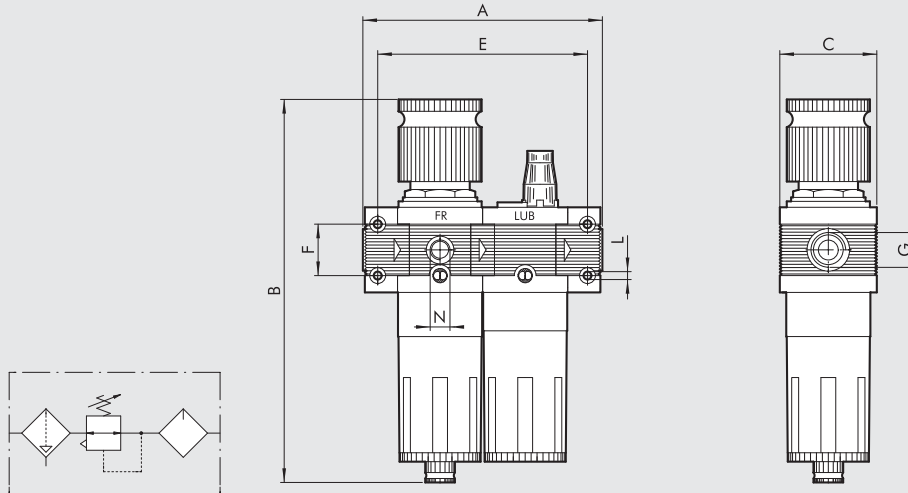
FR + LUB Skillair®

TECHNICAL DATA	FR + LUB 100		FR + LUB 200			FR + LUB 300		
	Threaded port	1/4"	3/8"	1/4"	3/8"	1/2"	1/2"	3/4"
Setting range	0 to 8 - 0 to 12		0 to 8 - 0 to 12			0 to 8 - 0 to 12		
Degree of filtration	5 - 20 - 50 $\mu$ m		5 - 20 - 50			5 - 20 - 50		
Max. inlet pressure	MPa		1.3			1.3		
	bar		13			13		
	psi		188			188		
Flow rate at 6.3 bar $\Delta$ P 0.5 bar	NI/min		1200			2300		
	scfm		43			82		
Flow rate at 6.3 bar $\Delta$ P 1 bar	NI/min		2400			4000		
	scfm		85			142		
Max temperature at 10 bar	$^{\circ}$ C		50			50		
	$^{\circ}$ F		122			122		
Weight	kg		1.35			2.7		
Wall fixing screws	M4 x 50		M4 x 60			M5 x 70		
Fluid	Compressed air							
Notes on use	The maximum inlet pressure for the version with RA automatic condensate drainage must not exceed 10 bar. Do not take air from pressure gauge ports.							

## SYNOPTIC, SIZES AND VERSIONS

FR+L	100	1/4	20	08	RMSA	RMSA: drain with manual condensate discharge and automatic discharge at zero pressure RA: automatic drain with condensate discharge, independent of pressure and flow rate. SAC: automatic drain with condensate discharge. <b>Operates by depression – requires variable air take-offs.</b> (for size 100 and 200)
ELEMENT	SIZE	THREADED PORT	DEGREE OF FILTRATION	SETTING RANGE	TYPE OF CONDENSATION RANGE	
FR+L	100	1/4 3/8	5 = 5 $\mu$ m 20 = 20 $\mu$ m 50 = 50 $\mu$ m	08 = 0 to 8 bar 012 = 0 to 12 bar	RMSA	
	200	1/4 3/8			RMSA	
		1/2			SAC	
300	1/2 3/4	RA				
	1	RMSA				

**DIMENSIONS FR + L**



	FR + LUB 100		FR + LUB 200			FR + LUB 300		
	1/4"	3/8"	1/4"	3/8"	1/2"	1/2"	3/4"	1"
Threaded port G						1/2"	3/4"	1"
A	121		149			175		177
B	RMSA 199		245				278	
	RA -		249				282	
	SAC 203		249				282	
C	50		63				72	
E	106		134				157	
F	26		36				42	
L (pressure gauge port)	M4 hole 1/8"		M5 hole 1/8"				M5 hole 1/8"	

**ORDERING CODES**

**Codie Description**

**FR+L Skillair® 100**

- 3284008 FR+L 100 1/4 20 08 RMSA
- 3284011 FR+L 100 1/4 20 012 RMSA
- 3384008 FR+L 100 3/8 20 08 RMSA
- 3384011 FR+L 100 3/8 20 012 RMSA

**FR+L Skillair® 200**

- 3484008 FR+L 200 1/4 20 08 RMSA
- 3484011 FR+L 200 1/4 20 012 RMSA
- 3584008 FR+L 200 3/8 20 08 RMSA
- 3584011 FR+L 200 3/8 20 012 RMSA
- 3684008 FR+L 200 1/2 20 08 RMSA
- 3684011 FR+L 200 1/2 20 012 RMSA

**FR+L Skillair® 300**

- 4484005 FR+L 300 1/2 20 08 RMSA
- 4484008 FR+L 300 1/2 20 012 RMSA
- 4584005 FR+L 300 3/4 20 08 RMSA
- 4584008 FR+L 300 3/4 20 012 RMSA
- 4684005 FR+L 300 1 20 08 RMSA
- 4684008 FR+L 300 1 20 012 RMSA

The following versions are available on request:

- with 5 µm or 50 µm degree of filtration
- with SAC or RA condensate discharge