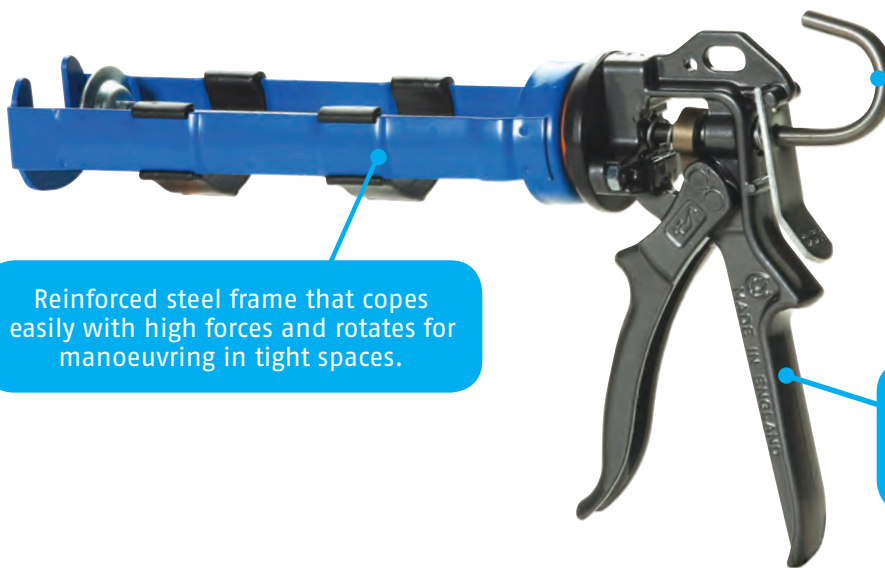


# Ultraflow<sup>TM</sup> CARTRIDGE 310ml

A single component manual bead applicator for cartridges



Curved rod end (hook) for tool support and storage.

Reinforced steel frame that copes easily with high forces and rotates for manoeuvring in tight spaces.

Heavy duty cast aluminium handle, designed to accommodate high load requirements with ease.

## PRODUCT FEATURES:

- Large sintered metal catchplate which offers high load resistance.
- Through hardened rod to increase resistance to bending and reduces scoring by the bigger catch plate.
- Metal wear compensation sleeve for protecting the catch plate contact area, to increase tool life.
- Hardened rod release plate for maintaining high material output for the life of the tool.
- Plated metal parts to increase corrosion resistance.
- Exceptional build quality makes this the ultimate high power manual gun with high service life expectation.
- This versatile tool is easy to use, with low and medium viscosity materials, as well as high viscosity types
- Patented no loss trigger action for fast, efficient sealant dispensing – patented mechanism eliminates the effect of wear on trigger action.

The **Cox Ultraflow** is part of a range of high-powered manual applicators. Designed for use with high viscosity sealants and adhesives, the Ultraflow Cartridge is ideal for professional and high end/specialist trade users.

For more information call +44(0)1635 264500  
Or visit [www.pccox.co.uk](http://www.pccox.co.uk)



The original

TECHNICAL DATASHEET

# Ultraflow™ CARTRIDGE 310ml



A single component manual bead applicator for cartridges

### APPLICATIONS:

- For high viscosity
- Cartridge/sachet: 1-component
- Cartridge volumes: 310ml

### SPECIFICATIONS:

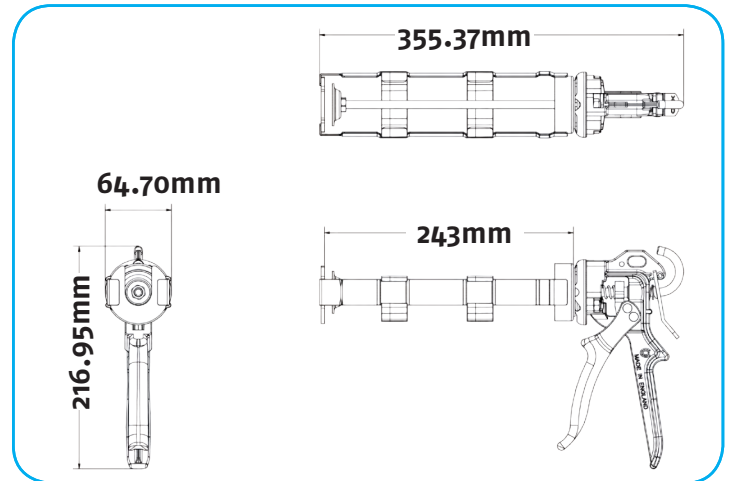
- Mechanical Advantage (ratio): 25:1
- Barrel Length: 243mm
- Max Force (Plunger): 4.5kN
- Tool Weight: 0.90 kg
- Tool Material: Epoxy coated aluminium, epoxy coated steel cradle
- Certificates: ISO, REACH
- Packaging Options: single or 5/10 per box

### WEB LINKS:

- Images  
[www.pccox.co.uk/en/ultraflow](http://www.pccox.co.uk/en/ultraflow)
- Academy video  
[www.pccox.co.uk/en/cox-academy](http://www.pccox.co.uk/en/cox-academy)
- Spare parts diagram  
[www.pccox.co.uk/en/exploded-diagrams](http://www.pccox.co.uk/en/exploded-diagrams)

### OTHER MODELS AVAILABLE:

- Ultraflow Combi
- Ultraflow Bulk
- Ultraflow Coaxial



### CARTRIDGE:

310ml:



### PRODUCT RANGE BY POWER:



PC Cox Ltd., Turnpike Road, Newbury, Berkshire, RG14 2LR  
 T Sales +44 (0) 1635 264500 F +44 (0) 1635 264555  
 E sales@pccox.co.uk  
 www.pccox.co.uk



©PC Cox Ltd. 2015 Cox is a trademark of PC Cox Ltd. Every effort has been made to ensure that the information contained in this leaflet was correct at the time of going to press. However, the company retains the right to change any specification without notice, in line with the company's policy of continual product development.