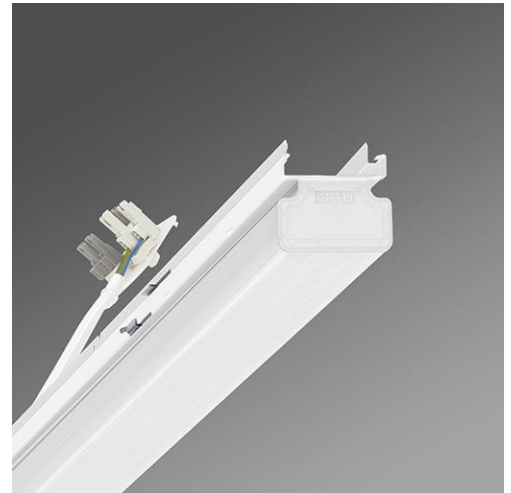


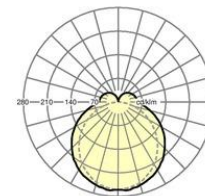
| | |
|-------------------------------|------------------------------------------------------------------------------------------------------------------------|
| Category (ETIM): | Variable device mount |
| Type: | Device mount IP20-SDGVLK LED |
| Order number: | 18234606650 |
| Configuration: | Lamps integrated: LED, Light colour 840/neutral white (4000K), Colour rendering Ra>80; LED service life 50000h L80/B10 |
| Operating device: | Electronic driver DALI (1 pcs.) |
| System performance (W): | 73 |
| Luminaire luminous flux (lm): | 10000 |
| lm/W: | 140 |
| Ambient temperatures: | 10°C / 30°C |
| Certifications: | IP 20, protection class I, F, DIN10500/Food, Indoor, CE |
| Colour of the housing: | traffic white RAL 9016 |
| Weight (net) (kg): | 2 |
| Dimensions LxWxH/DxH (mm): | 1531 x 63 x 54 |
| mounting method: | Mounting rail system mounting |
| EAN-number: | 4020863336357 |
| Commodity code: | 94051098 |

SDGVLK LED 10000lm 840 • vw • DALI • 18234606650

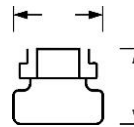


Lighting technology

Diffuser, frosted-direct/indirect distribution
SDGVLK LED 10000 lm 840



| | |
|----------------------------|-------------|
| η_{LB} | 100 % |
| lm/W | 140 |
| $\Phi \downarrow/\uparrow$ | 84 % / 16 % |
| UGR q/l | 26.4 / 25.0 |



Quick-fit mounting system Variable device mount; Device mount made of galvanised, profiled sheet steel, surface coated with polyester resin enamel. Toolless fastening with two integrated lateral lever locks. LED unit in housing length for optically seamless light run. Can be variably positioned on the mounting rail. Housing colour traffic white RAL 9016; Direct/indirect light distribution, frosted diffuser made of PMMA plastic with inner longitudinal prisms. Optically seamless light run. Heat-resistant cables including connection cable 1 m and rapid installation plug connector with tool-less phase pre-selection and locating finger.

Dimensions LxWxH/DxH (mm): 1531 x 63 x 54
 Configuration: Lamps integrated: LED, Light colour 840/neutral white (4000K), Colour rendering Ra>80; LED service life 50000h L80/B10
 Luminaire luminous flux (lm): 10000
 lm/W: 140
 Operating device: Electronic driver DALI (1 pcs.)
 System performance (W): 73
 Conditions: Suitable for use in ambient temperatures of 10°C to 30°C
 Certifications: IP 20, protection class I, F, DIN10500/Food, Indoor, CE

Regiolux GmbH
 Type: SDGVLK LED 10000 840 DALI vw
 Article number: 18234606650
 Product deep link: <http://www.regiolux.de/de/article/18234606650>
 5 year guarantee after registration on website.