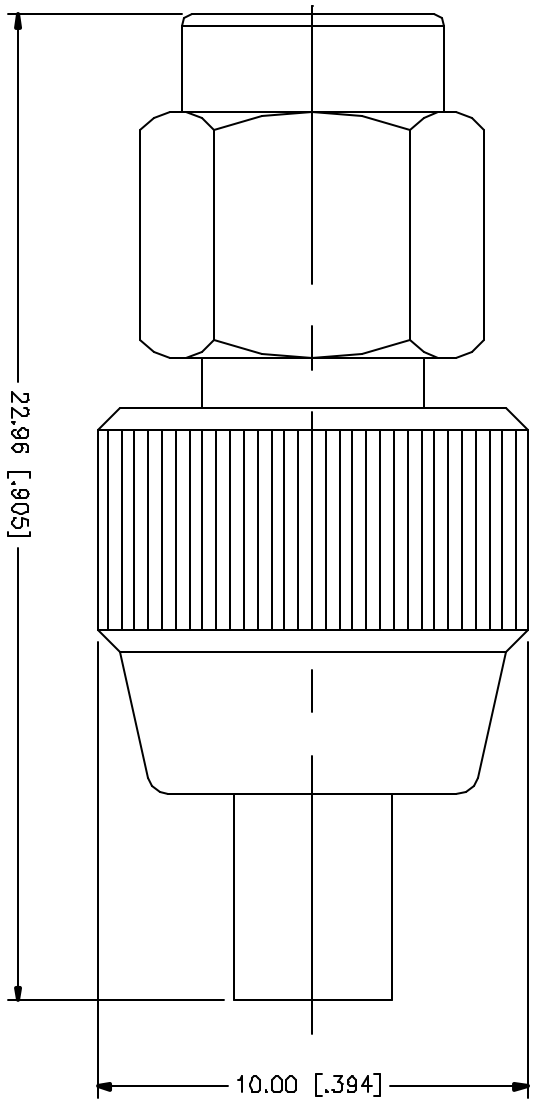


REV.	DATE	DESCRIPTION
A	03/27/05	UPDATE DRAWING FORMAT



QTY	FINISH	MATERIAL	DESCRIPTION
1	GOLD	BFR. COPPER	CONTACT PIN
1	NATURAL	TEFLON	INSULATOR
1	GOLD	BRASS	BODY

APPROVALS	DATE
DRAWN G.R.S.	03/27/05
CHECKED	
ISSUED	
SHEET 1 OF 1	

<b>Amphenol Connex</b>	
PART DESCRIPTION <b>SMA MALE TO MCX FEMALE ADAPTER</b>	
DWG. NO. 242126.DWG	PART NO. 242126
REV. A	SIZE A
SCALE NA	

PARTS DIMENSIONS SHOWN THROUGHOUT ARE IN MILLIMETERS UNLESS NOTED OTHERWISE IN [ ] ARE IN INCHES AND PER DIMENSION REFERENCE ONLY.  
 TOLERANCES PER MIL-STD-208:  
 H3 - 30mm ± 0.20mm  
 H1 - 30mm ± 0.40mm  
 30 - 120mm ± 0.50mm  
 H45 - 120mm ± 0.50mm  
 H180 - 4.724 ± 0.020\*  
 H180 - 4.724 ± 0.020\*  
 H180 - 4.724 ± 0.020\*  
 H180 - 4.724 ± 0.020\*

DAD FILE C:/242/242126.DWG  
 Dwg. No. 242126.DWG  
 Rev. A  
 Size A  
 Scale NA