

**Note:** All part numbers are RoHS Compliant.

**Metal-Shell Circular Plastic Connectors, Series 1 (Continued)**

**Metal-Shell CPC Connectors, Series 1, Reverse Sex**



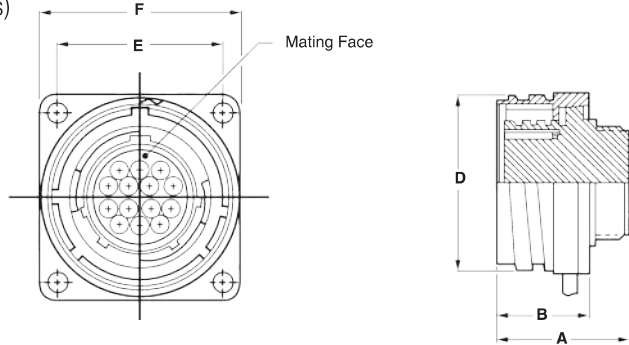
Listed part numbers are for connectors only; **contacts must be ordered separately.**

**Material and Finish**

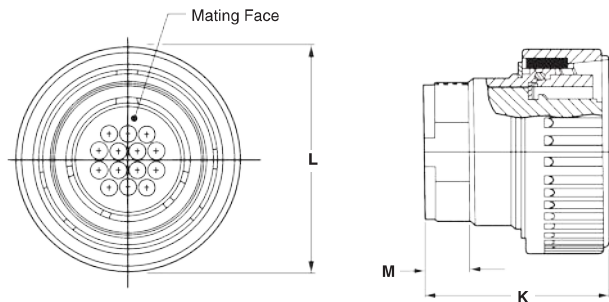
**Square Flange Receptacle—**  
**Housing—**Thermoplastic, UL 94V-0 rated, black  
**Metal-Shell—**Zinc alloy, plated nickel  
**Grooved Pin—**Steel alloy, plated nickel

**Plug—**  
**Housing—**Thermoplastic, UL 94V-0 rated, black  
**Metal-Shell—**Zinc alloy, plated nickel  
**TetraSeal Seal—**Fluorocarbon  
**Retainer Ring—**Retainer Ring  
**Coupling Ring—**Zinc alloy, plated nickel

**Square Flange Receptacles (Accepts Multimate Sockets)**



**Plugs (Accepts Multimate Pins)**

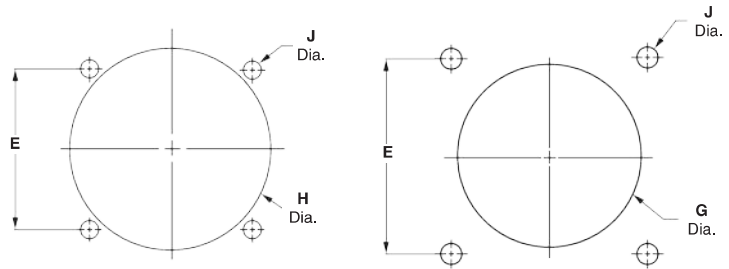


Arrangement	Square Flange Receptacle	Plug Part No.	
		without TETRASEALS Ring	with TETRASEALS Ring
14-5	208721-1	208720-1	—
14-7	208717-1	208716-1	208716-2
22-14	208487-1	208486-1	208486-3
28-37	208473-1	208472-1	208472-3

**Note:** Maximum wire insulation diameter is .100 [2.54], except arrangements 14-5 and 28-24 are .150 [3.81] max.

**Related Product Data**

- Contacts—**Pages 17-21
- Contact Arrangement—**Page 61
- Component Dimensions—**Page 70
- Accessories—**Page 71
- Performance Characteristics—**Page 6
- Application Tooling—**Pages 76-79
- Technical Documents—**Page 80



Rear Mount Panel Cutout

Front Mount Panel Cutout

**TETRASEALS Ring (Installed in plugs only.)**

The TETRASEALS Ring provides splash-proof sealing between mating metal shells. It is located behind the plug shell external keys (under the coupling ring). When mated with a receptacle, the ring is compressed against the inside diameter of the mating end edge of the receptacle shell.

