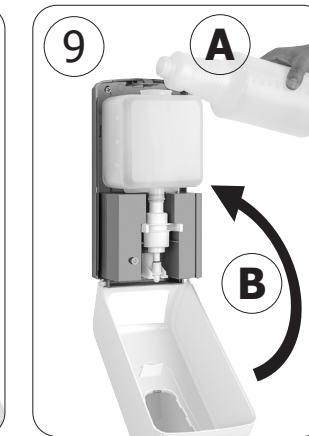
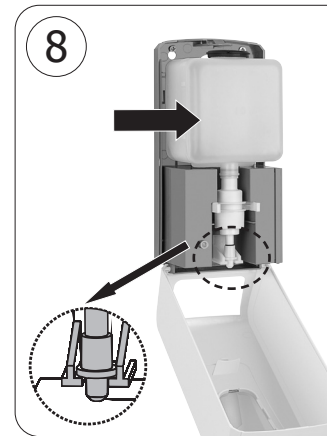
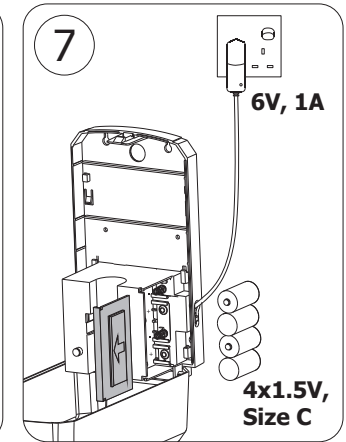
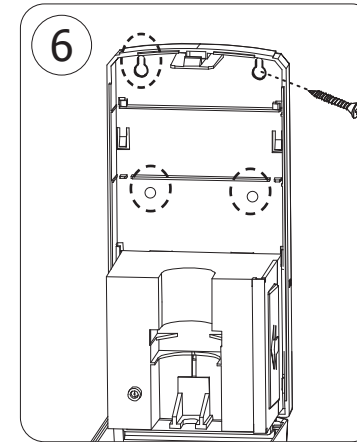
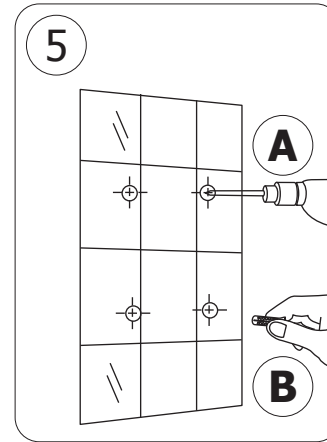
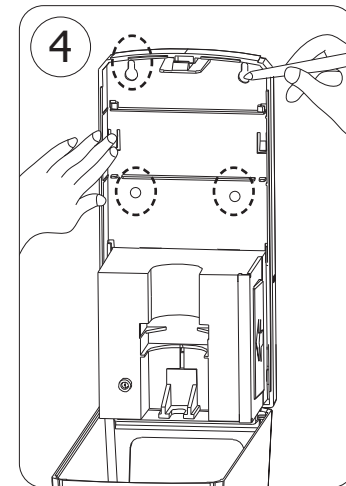
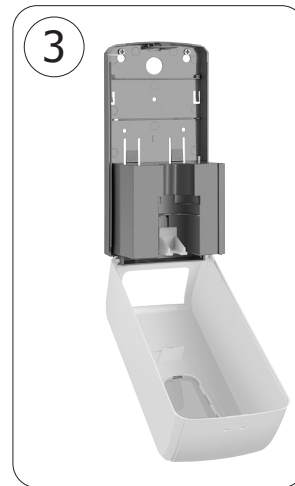
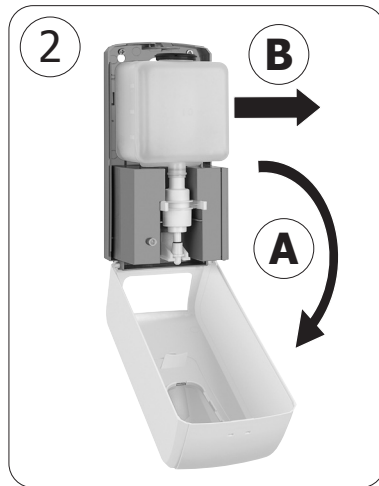
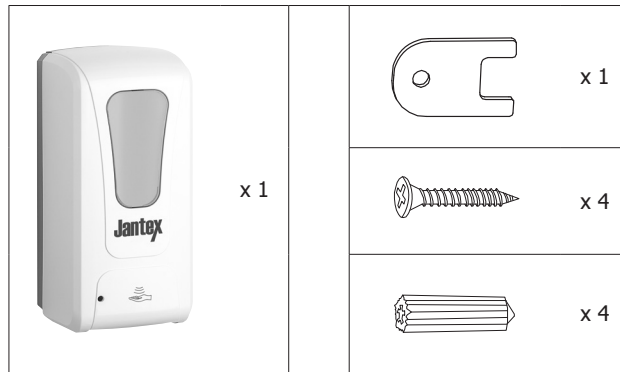


Manual size A4: Front page



FN975 Liquid automatic sanitiser dispenser
FN976 Spray automatic sanitiser dispenser

Pack Contents



- All recommended fixings are supplied. Do not use less substantial fittings.
- Ensure the wall surface provides sufficient support for the product before proceeding to drill and install fixings.
- For cleaning, wipe the exterior surface with a soft, wet cloth occasionally.
- **For step 7:** For power supply, you can use either 4x1.5V batteries (Size C, not included) OR a DC adaptor (6V/1A, not included). Remove the batteries if using the adaptor or if the unit is not to be used for an extended period of time. Always unplug the adaptor when not in use to prevent overheating.
- **For step 10:** Before use, slide the ON/OFF switch downward (ON position) first.

Compliance

Dispose of depleted batteries in accordance with local regulations, within the EC there are nominated disposal points for batteries.

The WEEE logo on this product or its documentation indicates that the product must not be disposed of as household waste. To help prevent possible harm to human health and/or the environment, the product must be disposed of in an approved and environmentally safe recycling process. For further information on how to dispose of this product correctly, contact the product supplier, or the local authority responsible for waste disposal in your area.

Jantex parts have undergone strict product testing in order to comply with regulatory standards and specifications set by international, independent, and federal authorities. Jantex products have been approved to carry the following symbol:



Troubleshooting

LED light Indications	Description and solution
Flashing green	Working normally
Flashing red x 2	Obstacle under the sensor, remove the obstacle
Flashing red x 5	Low battery, replace batteries or check the adaptor

Technical Specifications

Model	Power	Capacity	Sensing distance
FN975	Adaptor, or 4x1.5V Batteries	1000ml	8-12 cm
FN976			

Manual size A4: Back page

DECLARATION OF CONFORMITY

- Conformanceverklaring • Déclaration de conformité • Konformitätserklärung • Dichiarazione di conformità •
• Declaración de conformidad • Declaração de conformidade



Equipment Type • Uitrustingstype • Type d'équipement • Gerätetyp • Tipo di apparecchiatura • Tipo de equipo • Tipo de equipamento	Model • Modèle • Modell • Modello • Modelo • Malli	
Liquid Automatic Sanitiser Dispenser Spray Automatic Sanitiser Dispenser	FN975 FN976	
Application of Territory Legislation & Council Directives(s) Toepassing van Europese Richtlijn(en) • Application de la/des directive(s) du Conseil • Anwendbare EU-Richtlinie(n) • Applicazione delle Direttive • Aplicación de la(s) directiva(s) del consejo • Aplicação de directiva(s) do Conselho	Electro-Magnetic Compatibility (EMC) Directive 2014/30/EU - recast of 2004/108/EC EN 55014-1:2017 EN 55014-2:2015 EN 61000-3-2: 2014 EN 61000-3-3: 2013 Restriction of Hazardous Substances Directive (RoHS) 2015/863 amending Annex II to Directive 2011/65/EU	Electromagnetic Compatibility EN 55014-1:2017 EN 55014-2:2015 EN 61000-3-2: 2014 EN 61000-3-3: 2013
Producer Name • Naam fabrikant • Nom du producteur • Name des Herstellers • Nome del produttore • Nombre del fabricante • Nome do fabricante	Jantex	

I, the undersigned, hereby declare that the equipment specified above conforms to the above Territory Legislation, Directive(s) and Standard(s).

Ik, de ondergetekende, verklaar hierbij dat de hierboven gespecificeerde uitrusting goedgekeurd is volgens de bovenstaande Richtlijn(en) en Standaard(en).

Je soussigné, confirme la conformité de l'équipement cité dans la présente à la / aux Directive(s) et Norme(s) ci-dessus
Ich, der/die Unterzeichnende, erkläre hiermit, dass das oben angegebene Gerät der/den oben angeführten Richtlinie(n) und Norm(en) entspricht.

Il sottoscritto dichiara che l'apparecchiatura di sopra specificata è conforme alle Direttive e agli Standard sopra riportati.

El abajo firmante declara por la presente que el equipo arriba especificado está en conformidad con la(s) directiva(s) y estándar(es) arriba mencionadas.

Eu, o abaixo-assinado, declaro que o equipamento anteriormente especificado está em conformidade com a(s) anterior(es) Directiva(s) e Norma(s)

UK	0845 146 2887
Eire	
NL	040 – 2628080
FR	01 60 34 28 80
BE-NL	0800-29129
BE-FR	0800-29229
DE	0800 – 1860806
ES	901-100 133
PT	vendas@nisbets.pt
AU	1300 225 960

Date • Data • Date • Datum • Data • Fecha • Data	22 nd October 2020		
Signature • Handtekening • Signature • Unterschrift Firma • Firma • Assinatura	DocuSigned by: <i>Ashley Hooper</i> B39382C9FD9C478...	DocuSigned by: <i>Eoghan Donnellan</i> D352874F7FAB460...	DocuSigned by: <i>Josie Holt</i> 3582E210C4054DA...
Full Name • Volledige naam • Nom et prénom • Vollständiger Name • Nome completo • Nombre completo • Nome por extenso	Ashley Hooper	Eoghan Donnellan	Josie Holt
Position • Functie • Fonction • Position • Qualifica • Posición • Função	Technical & Quality Manager	Commercial Manager/ Importer	Commercial Manager/ Responsible Supplier
Producer Address • Adres fabrikant • Adresse du producteur • Anschrift des Herstellers • Indirizzo del produttore • Dirección del fabricante • Morada do fabricante	Fourth Way, Avonmouth, Bristol, BS11 8TB United Kingdom	42 North Point Business Park New Mallow Road Cork Ireland	15 Bagdally Road, Campbelltown NSW 2560



FN975-FN976_A4_v2_20201201