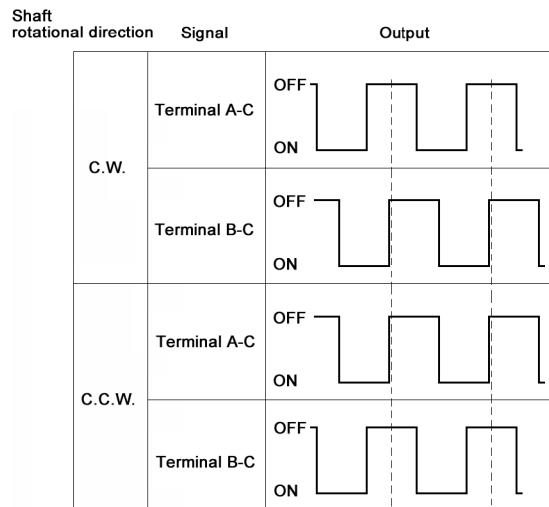


LED CHARACTERISTIC

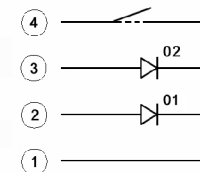
LED colour		Power dissipation (mW)	DC Forward current (mA)	Test conditions IF=20mA	
				Forward voltage (V)	
				Typ.	Max.
blue / orange	blue	105	30	3.3	4.0
	orange	75	30	2.1	2.5
green / red	green	120	30	3.2	4.0
	red	75	30	1.95	2.5
blue / green	blue	120	30	3.3	4.0
	green	120	30	3.2	4.0

xx	LED colour	
	01	02
BO	blue	orange
BG	blue	green
GR	green	red

OUTPUT SIGNAL FORMAT



CIRCUIT DIAGRAM



Compliance: RohS II (2011/65/EU)

Tolerances: ≤10: ±0.3mm 10-100: ±0.5mm	Date 03/12	Name dr	MERP12-241hM9xx
			30 25 62
knitter-switch			Page 2/2
Modifications	Date	Name	