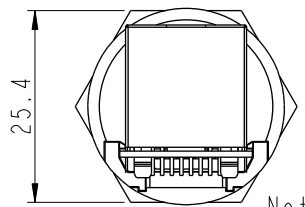
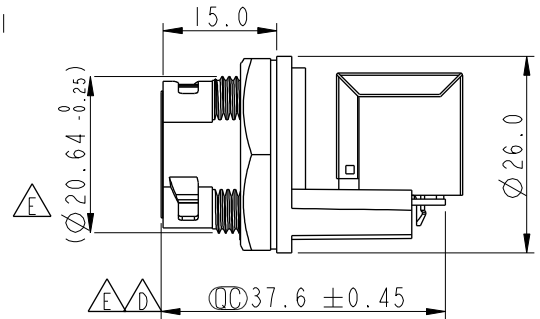
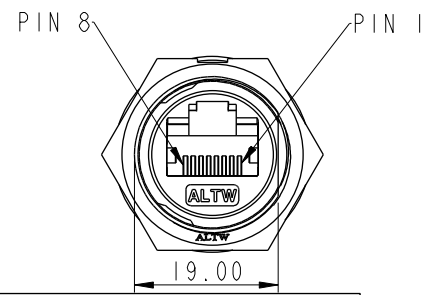
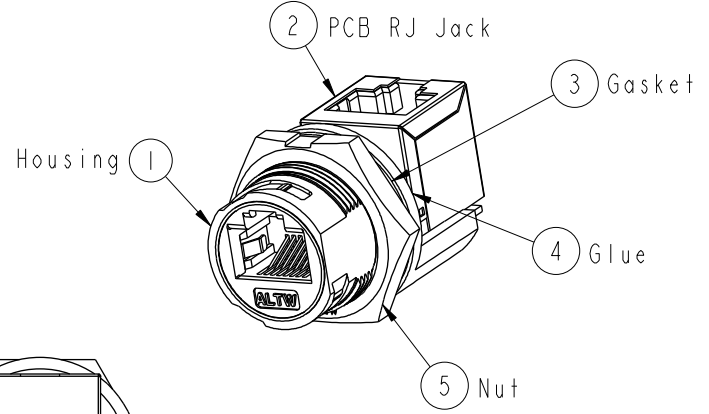
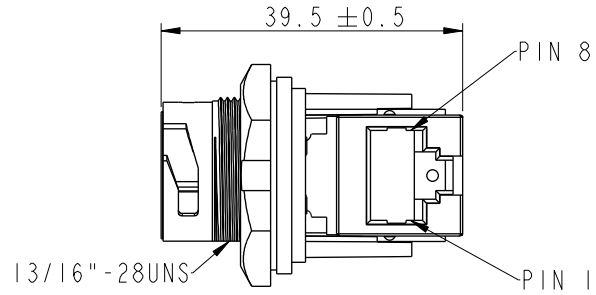
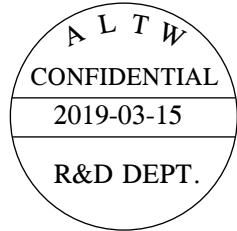
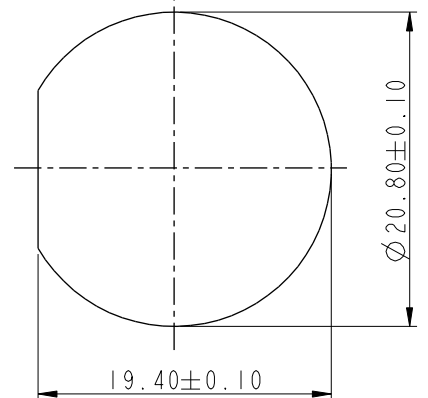


REV.	ECN NO.	DATE	SIGN	DESCRIPTION
E	LEN1810039	2017-11-28	Jalam	Change The Tolerance
F	CI90405	2019/03/15	Ruru	Modify Note



- Note: \triangle
- * CC Important Dimension
 - * Waterproof Rate : IP67, Unmated
 - * Housing: Thermoplastic, Black
 - * Nut: Thermoplastic, Black
 - * Gasket: Rubber, Gray
 - * PCB: FR-4
 - * Jack: Thermoplastic
 - * Use without Waterproof cap or Dust cap
For Panel Thickness Max: 3.0mm
 - * Use with Waterproof cap or Dust cap
For Panel Thickness Max: 1.8mm
 - * Screw torsion value range: 8~12kgf-cm
 - * Gasket and Nut are packed separately
in PE bags.



UNIT : mm	
TOLERANCE	
.X	±0.25
.XX	±0.1
.XXX	±0.05
ANGLES	±1°

TITLE RJ45,C SIZE,WATERPROOF			
SCALE 1:1	SIZE A4	SHEET 1 OF 1	
REV. F	WC-REV. B.5	CC : Inspection item	

Amphenol LTW
安費諾亮泰企業股份有限公司

ITEM NO. RCP-5SPFFV-TCU7001	DRAWN BY Ruru	DATE 2019-03-15
DWG NO. RCP-5SPFFV-TCU7001	CHECKED BY Rita	DATE 2019-03-15
CUSTOMER ALTW	APPROVED BY Max	DATE 2019-03-15

THIS DOCUMENT IS SUBJECT TO CHANGE WITHOUT NOTICE. IT IS CONFIDENTIAL AND A PROPERTY OF Amphenol LTW. DISCLOSURE TO THIRD PARTY HAS TO BE AUTHORIZED BY Amphenol LTW.