

MAXIM

+5V, +10V Precision Voltage References

REF01/REF02

General Description

The REF01 and REF02 are precision voltage references that are pretrimmed to within $\pm 3\%$ of +10V and +5V, respectively. Both references feature excellent temperature stability (as low as 8.5ppm/ $^{\circ}\text{C}$ worst case), low current drain, and low noise. The REF02 also provides a TEMP pin whose output voltage varies linearly with temperature, making this device suitable for a wide variety of temperature-sensing and control applications. Both devices are available from Maxim in the space-saving SO package, as well as in the standard 8-pin TO-99 and MINI-DIP packages.

Features

- ◆ Pretrimmed to +5V, +10V $\pm 0.3\%$
- ◆ Excellent Temperature Stability: 3ppm/ $^{\circ}\text{C}$
- ◆ Low Noise: 10 $\mu\text{Vp-p}$ (REF02)
- ◆ Low Supply Current: 1.4mA (max)
- ◆ Short-Circuit Proof
- ◆ Linear Temperature Transducer Output (REF02)

Ordering Information

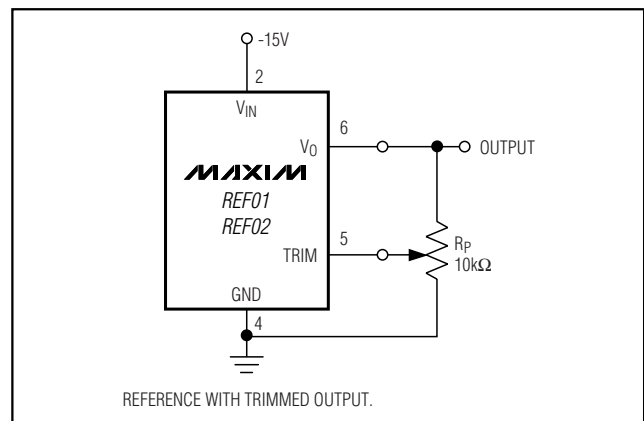
PART	TEMP RANGE	MAX TEMPCO (ppm/ $^{\circ}\text{C}$)	INITIAL ERROR (mV)	PIN-PACKAGE
REF01EP	0 $^{\circ}\text{C}$ to +70 $^{\circ}\text{C}$	8.5	± 30	8 Plastic DIP
REF01HP	0 $^{\circ}\text{C}$ to +70 $^{\circ}\text{C}$	25	± 50	8 Plastic DIP
REF01HSA	0 $^{\circ}\text{C}$ to +70 $^{\circ}\text{C}$	25	± 50	8 SO
REF01CP	0 $^{\circ}\text{C}$ to +70 $^{\circ}\text{C}$	65	± 100	8 Plastic DIP
REF01CSA	0 $^{\circ}\text{C}$ to +70 $^{\circ}\text{C}$	65	± 100	8 SO
REF01CESA	-40 $^{\circ}\text{C}$ to +85 $^{\circ}\text{C}$	65	± 100	8 SO
REF02EP	0 $^{\circ}\text{C}$ to +70 $^{\circ}\text{C}$	8.5	± 15	8 Plastic DIP
REF02HP	0 $^{\circ}\text{C}$ to +70 $^{\circ}\text{C}$	25	± 25	8 Plastic DIP
REF02HSA	0 $^{\circ}\text{C}$ to +70 $^{\circ}\text{C}$	25	± 25	8 SO
REF02CP	0 $^{\circ}\text{C}$ to +70 $^{\circ}\text{C}$	65	± 50	8 Plastic DIP
REF02CSA	0 $^{\circ}\text{C}$ to +70 $^{\circ}\text{C}$	65	± 50	8 SO
REF02CESA	-40 $^{\circ}\text{C}$ to +85 $^{\circ}\text{C}$	65	± 50	8 SO

Ordering Information continued at end of data sheet.

Applications

- Analog-to-Digital Converters
- Digital-to-Analog Converters
- Digital Voltmeters
- Voltage Regulators
- Threshold Detectors

Typical Operating Circuit



+5V, +10V Precision Voltage References

ABSOLUTE MAXIMUM RATINGS—REF01

Input Voltage	Storage Temperature Range	-65°C to +150°C
REF01, A, E, H, All DICE	Operating Temperature Range	
REF01C	REF01A, REF01	-55°C to +125°C
Continuous Power Dissipation	REF01E, REF01H, REF01C	
T099 (J) (derate at 7.1mW/°C above +80°C).....	(except REF01CESA).....	0°C to +70°C
CERDIP (2) (derate at 6.7mW/°C above +75°C)	REF01CESA	-40°C to +85°C
Plastic Dip (P) (derate at 5.6mW/°C above +36°C)	DICE Junction Temperature (T _J)	-65°C to +150°C
Small Outline (S) (derate at 5.0mW/°C above +55°C) ..	Lead Temperature (soldering, 60s)	+300°C
Output Short-Circuit Duration		
(to ground or V _{IN})		Indefinite

Stresses beyond those listed under "Absolute Maximum Ratings" may cause permanent damage to the device. These are stress ratings only, and functional operation of the device at these or any other conditions beyond those indicated in the operational sections of the specifications is not implied. Exposure to absolute maximum rating conditions for extended periods may affect device reliability.

ELECTRICAL CHARACTERISTICS—REF01

(V_{IN} = +15V, T_A = +25°C, unless otherwise noted.)

PARAMETER	SYMBOL	CONDITIONS	REF01A/E			REF01/H			UNITS
			MIN	TYP	MAX	MIN	TYP	MAX	
Output Voltage	V _O	I _L = 0	9.97	10.00	10.03	9.95	10.00	10.05	V
Output Adjustment Range	ΔV _{trim}	R _P = 10kΩ	±3.0	±3.3		±3.0	±3.3		%
Output Voltage Noise	e _{nP-P}	0.1Hz to 10Hz (Note 1)		20	30		20	30	μV _{P-P}
Line Regulation		V _{IN} = 13V to 33V (Note 2)		0.006	0.010		0.006	0.010	%/V
Load Regulation		I _L = 0 to 10mA (Note 2)		0.005	0.008		0.006	0.010	%/mA
Turn-On Settling Time	t _{ON}	To ±0.1% of final value		5			5		μs
Quiescent Supply Current	I _{SY}	No load		1.0	1.4		1.0	1.4	mA
Load Current	I _L		10	21		10	21		mA
Sink Current	I _S		-0.3	-0.5		-0.3	-0.5		mA
Short-Circuit Current	I _{SC}	V _O = 0V		30			30		mA

ELECTRICAL CHARACTERISTICS—REF01

(V_{IN} = +15V, -55°C ≤ T_A ≤ +125°C for REF01A and REF01, 0°C ≤ T_A ≤ +70°C for REF01E and REF01H, I_L = 0mA, unless otherwise noted.)

PARAMETER	SYMBOL	CONDITIONS	REF01A/E			REF01/H			UNITS
			MIN	TYP	MAX	MIN	TYP	MAX	
Output Voltage Change with Temperature (Notes 3, 4)	ΔV _{OT}	0°C ≤ T _A ≤ +70°C		0.02	0.06		0.07	0.17	%
		-55°C ≤ T _A ≤ +125°C		0.06	0.15		0.18	0.45	
Output Voltage Temperature Coefficient	TCV _O	(Note 5)		3	8.5		10.0	25.0	ppm/°C
Change in V _O Temperature Coefficient with Output Adjustment		R _P = 10kΩ		0.7			0.7		ppm/%
Line Regulation (V _{IN} = 13V to 33V) (Note 2)		0°C ≤ T _A ≤ +70°C		0.007	0.012		0.007	0.012	%/V
		-55°C ≤ T _A ≤ +125°C		0.009	0.015		0.009	0.015	
Load Regulation (I _L = 0 to 8mA) (Note 2)		0°C ≤ T _A ≤ +70°C		0.006	0.010		0.007	0.012	%/mA
		-55°C ≤ T _A ≤ +125°C		0.007	0.012		0.009	0.015	

+5V, +10V Precision Voltage References

REF01/REF02

ELECTRICAL CHARACTERISTICS—REF01 (continued)

($V_{IN} = +15V$, $-55^{\circ}C \leq T_A \leq +125^{\circ}C$ for REF01A and REF01, $0^{\circ}C \leq T_A \leq +70^{\circ}C$ for REF01E and REF01H, $I_L = 0mA$, unless otherwise noted.)

PARAMETER	SYMBOL	CONDITIONS	REF01C			UNITS
			MIN	TYP	MAX	
Output Voltage	V_O	$I_L = 0mA$	9.90	10.00	10.10	V
Output Adjustment Range	ΔV_{trim}	$R_P = 10k\Omega$	± 2.7	± 3.3		%
Output Voltage Noise	e_{nP-P}	0.1Hz to 10Hz (Note 1)		25	35	μV_{P-P}
Line Regulation		$V_{IN} = 13V$ to 30V (Note 2)		0.009	0.015	%/V
Load Regulation (Note 2)		$I_L = 0$ to 8mA		0.006	0.015	%mA
		$I_L = 0$ to 4mA		0.006	0.015	
Turn-On Settling Time	t_{ON}	$T_o \pm 0.1\%$ of final value		5		μs
Quiescent Supply Current	I_{SY}	No load		1.0	1.6	mA
Load Current	I_L		8	21		mA
Sink Current	I_S		-0.2	-0.5		mA
Short-Circuit Current	I_{SC}	$V_O = 0V$		30		mA

ELECTRICAL CHARACTERISTICS—REF01

($V_{IN} = +15V$, $T_A = T_{MIN}$ to T_{MAX} , unless otherwise noted.)

PARAMETER	SYMBOL	CONDITIONS	REF01C			UNITS
			MIN	TYP	MAX	
Output Voltage Change with Temperature	ΔV_{OT}	(Notes 3, 4)		0.14	0.45	%
Output Voltage Temperature Coefficient	TCV_O	(Note 5)		20	65	ppm/ $^{\circ}C$
Change in V_O Temperature Coefficient with Output Adjustment		$R_P = 10k\Omega$		0.7		ppm/%
Line Regulation		$V_{IN} = 13V$ to 30V (Note 2)		0.011	0.018	%/V
Load Regulation		$I_L = 0$ to 5mA (Note 2)		0.008	0.018	%mA

Note 1: Guaranteed by design for REF01HP, REF01HSA, REF01CP, REF01CSA, REF01CESA, REF02HP, REF02HSA, REF02CP, REF02CSA, REF02CESA. Sample tested for all other grades and packages.

Note 2: Line and load regulation specifications include the effect of self heating.

Note 3: ΔV_{OT} is defined as the absolute difference between the maximum output voltage and the minimum output voltage over the specified temperature range expressed as a percentage of 10V.

$$\Delta V_{OT} = \left[\frac{V_{MAX} - V_{MIN}}{10V} \right] \times 100$$

Note 4: ΔV_{OT} specification applies trimmed to +10.000V or untrimmed.

Note 5: TCV_O is defined as ΔV_{OT} divided by the temperature range.

Output Adjustment

The REF01 trim terminal can be used to adjust the voltage over a 10V $\pm 300mV$ range. This feature allows the system designer to trim system errors by setting the reference to a voltage other than 10V, including 10.240V for binary applications (see the *Typical Operating Circuit*).

Adjustment of the output does not significantly affect the temperature performance of the device. The temperature coefficient change is approximately 0.7ppm/ $^{\circ}C$ for 100mV of output adjustment.

+5V, +10V Precision Voltage References

ABSOLUTE MAXIMUM RATINGS—REF02

Input Voltage	
REF02, A, E, H, All DICE	40V
REF02C, D.....	30V
Continuous Power Dissipation	
T099 (J) (derate at 7.1mW/°C above +80°C).....	500mW
CERDIP (2) (derate at 6.7mW/°C above +75°C)	500mW
Plastic Dip (P) (derate at 5.6mW/°C above +36°C)	500mW
Small Outline (S) (derate at 5.0mW/°C above +55°C) ..	300mW
Storage Temperature Range	-65°C to +150°C

Operating Temperature Range	
REF02A, REF02	-55°C to +125°C
REF02E, REF02H (except REF02CESA).....	0°C to +70°C
REF02C (except REF02CESA), REF02D	0°C to +70°C
REF02CESA.....	-40°C to +85°C
Lead Temperature (soldering, 60s)	+300°C
DICE Junction Temperature (T _J)	-65°C to +150°C
Output Short-Circuit Duration	
(to ground or V _{IN})	Indefinite

Stresses beyond those listed under "Absolute Maximum Ratings" may cause permanent damage to the device. These are stress ratings only, and functional operation of the device at these or any other conditions beyond those indicated in the operational sections of the specifications is not implied. Exposure to absolute maximum rating conditions for extended periods may affect device reliability.

ELECTRICAL CHARACTERISTICS—REF02

(V_{IN} = +15V, T_A = +25°C, unless otherwise noted.)

PARAMETER	SYMBOL	CONDITIONS	REF02A/E			REF02/H			UNITS
			MIN	TYP	MAX	MIN	TYP	MAX	
Output Voltage	V _O	I _L = 0	4.985	5.000	5.015	4.975	5.000	5.025	V
Output Adjustment Range	ΔV _{trim}	R _P = 10kΩ	±3	±6		±3	±6		%
Output Voltage Noise	e _{nP-P}	0.1Hz to 10Hz (Note 6)		10	15		10	15	μV _{P-P}
Line Regulation		V _{IN} = 8V to 33V (Note 7)		0.006	0.010		0.006	0.010	%/V
Load Regulation		I _L = 0 to 10mA (Note 7)		0.005	0.010		0.006	0.010	%/mA
Turn-On Settling Time	t _{ON}	To ±0.1% of final value		5			5		μs
Quiescent Supply Current	I _{SY}	No load		1.0	1.4		1.0	1.4	mA
Load Current	I _L		10	21		10	21		mA
Sink Current	I _S		-0.3	-0.5		-0.3	-0.5		mA
Short-Circuit Current	I _{SC}	V _O = 0V		30			30		mA
Temperature Voltage Output	V _T	(Note 8)		630			630		mV

ELECTRICAL CHARACTERISTICS—REF02

(V_{IN} = +15V, -55°C ≤ T_A ≤ +125°C for REF02A and REF02, 0°C ≤ T_A ≤ +70°C for REF02E and REF02H, I_L = 0mA, unless otherwise noted.)

PARAMETER	SYMBOL	CONDITIONS	REF02A/E			REF02/H			UNITS
			MIN	TYP	MAX	MIN	TYP	MAX	
Output Voltage Change with Temperature (Notes 9, 10)	ΔV _{OT}	0°C ≤ T _A ≤ +70°C		0.02	0.06		0.07	0.17	%
		-55°C ≤ T _A ≤ +125°C		0.06	0.15		0.18	0.45	
Output Voltage Temperature Coefficient	TCV _O	(Note 11)		3	8.5		10	25	ppm/°C
Change in V _O Temperature Coefficient with Output Adjustment		R _P = 10kΩ		0.7			0.7		ppm/%
Line Regulation (V _{IN} = 8V to 33V) (Note 7)		0°C ≤ T _A ≤ +70°C		0.007	0.012		0.007	0.012	%/V
		-55°C ≤ T _A ≤ +125°C		0.009	0.015		0.009	0.015	
Load Regulation (I _L = 0 to 8mA) (Note 7)		0°C ≤ T _A ≤ +70°C		0.006	0.010		0.007	0.012	%/mA
		-55°C ≤ T _A ≤ +125°C		0.007	0.012		0.009	0.015	

+5V, +10V Precision Voltage References

REF01/REF02

ELECTRICAL CHARACTERISTICS—REF02 (continued)

($V_{IN} = +15V$, $-55^{\circ}C \leq T_A \leq +125^{\circ}C$ for REF02A and REF02, $0^{\circ}C \leq T_A \leq +70^{\circ}C$ for REF02E and REF02H, $I_L = 0mA$, unless otherwise noted.)

PARAMETER	SYMBOL	CONDITIONS	REF02A/E			REF02/H			UNITS
			MIN	TYP	MAX	MIN	TYP	MAX	
Temperature Voltage Output Temperature Coefficient	TCV _T	(Note 8)	2.1			2.1			mV/°C

ELECTRICAL CHARACTERISTICS—REF02

($V_{IN} = +15V$, $T_A = +25^{\circ}C$, unless otherwise noted.)

PARAMETER	SYMBOL	CONDITIONS	REF02C			REF02D			UNITS
			MIN	TYP	MAX	MIN	TYP	MAX	
Output Voltage	V _O	I _L = 0mA	4.950	5.000	5.050	4.900	5.000	5.100	V
Output Adjustment Range	ΔV _{trim}	R _P = 10kΩ	±2.7	±6.0		±2.0	±6.0		%
Output Voltage Noise	e _{nP-P}	0.1Hz to 10Hz (Note 6)		12	18		12		μVP-P
Line Regulation		V _{IN} = 8V to 30V (Note 7)		0.009	0.015		0.010	0.04	%/V
Load Regulation (Note 7)		I _L = 0 to 8mA		0.006	0.015				%/mA
		I _L = 0 to 4mA					0.015	0.04	
Turn-On Settling Time	t _{ON}	To ±0.1% of final value		5			5		μs
Quiescent Supply Current	I _{SY}	No load		1.0	1.6		1.0	2.0	mA
Load Current	I _L		8	21		8	21		mA
Sink Current	I _S		-0.2	-0.5		-0.2	-0.5		mA
Short-Circuit Current	I _{SC}	V _O = 0V		30			30		mA
Temperature Voltage Output	V _T	(Note 8)		630			630		mV

ELECTRICAL CHARACTERISTICS—REF02

($V_{IN} = +15V$, $T_A = T_{MIN}$ to T_{MAX} , $I_L = 0mA$, unless otherwise noted.)

PARAMETER	SYMBOL	CONDITIONS	REF02C			REF02D			UNITS
			MIN	TYP	MAX	MIN	TYP	MAX	
Output Voltage Change with Temperature	ΔV _{OT}	(Notes 9, 10)		0.14	0.45		0.49	1.7	%
Output Voltage Temperature Coefficient	TCV _O	(Note 11)		20	65		70	250	ppm/°C
Change in V _O Temperature Coefficient with Output Adjustment		R _P = 10kΩ		0.7			0.7		ppm/%
Line Regulation		V _{IN} = 8V to 30V (Note 7)		0.011	0.018		0.012	0.05	%/V
Load Regulation		I _L = 0 to 5mA (Note 7)		0.008	0.018		0.016	0.05	%/mA
Temperature Voltage Output Temperature Coefficient	TCV _T	(Note 8)		2.1			2.1		mV/°C

+5V, +10V Precision Voltage References

ELECTRICAL CHARACTERISTICS—REF02 (continued)

($V_{IN} = +15V$, $T_A = T_{MIN}$ to T_{MAX} , $I_L = 0mA$, unless otherwise noted.)

Note 6: Guaranteed by design for REF01HP, REF01HSA, REF01CP, REF01CSA, REF01CESA, REF02HP, REF02HSA, REF02CP, REF02CSA, REF02CESA. Sample tested for all other grades and packages.

Note 7: Line and load regulation specifications include the effect of self heating.

Note 8: Limit current in or out of pin 3 to 50nA and capacitance on pin 3 to 30pF.

Note 9: ΔV_{OT} is defined as the absolute difference between the maximum output voltage and the minimum output voltage over the specified temperature range expressed as a percentage of 5V.

$$\Delta V_{OT} = \left[\frac{V_{MAX} - V_{MIN}}{5V} \right] \times 100$$

Note 10: ΔV_{OT} specification applies trimmed to +5.000V or untrimmed.

Note 11: TCV_O is defined as ΔV_{OT} divided by the temperature range.

Output Adjustment

The REF02 trim terminal can be used to adjust the output voltage over a 5V $\pm 300mV$ range. This feature allows the system designer to trim system errors by setting the reference to a voltage other than 5V (refer to the *Typical Operating Circuit*).

Adjustment of the output does not significantly affect the temperature performance of the device. Typically, the temperature coefficient change is 0.7ppm/ $^{\circ}C$ for 100mV of output adjustment.

Temperature Voltage Output

The REF02 provides a temperature-dependent output voltage on the TEMP pin. This voltage is proportional to the absolute temperature, and has a scale factor of approximately 2.1mV/ $^{\circ}C$ (Figure 1).

$$\text{Output Voltage} = 2.1(T + 273)mV$$

where T = Temperature in $^{\circ}C$.

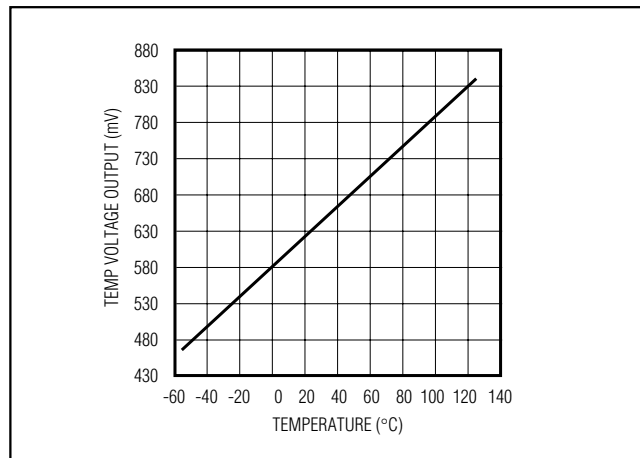


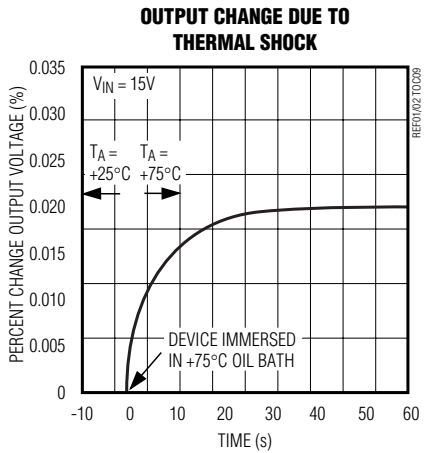
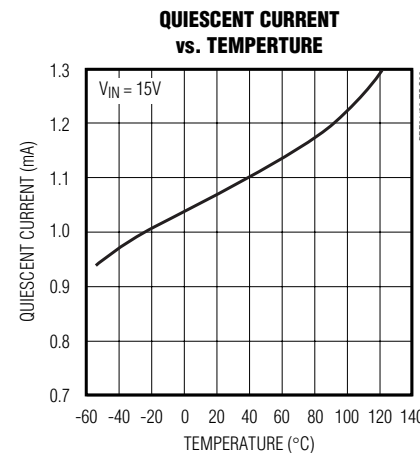
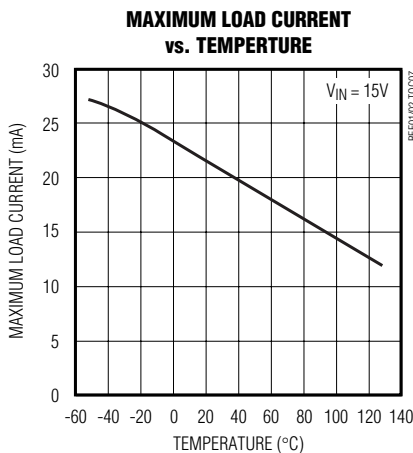
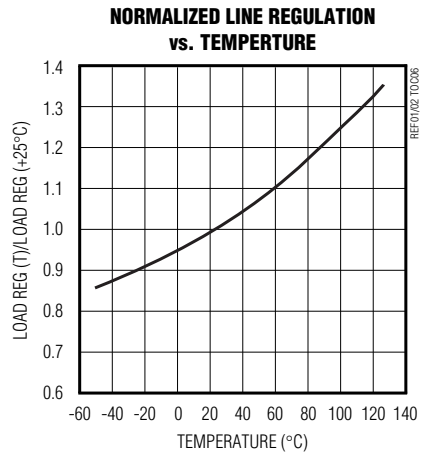
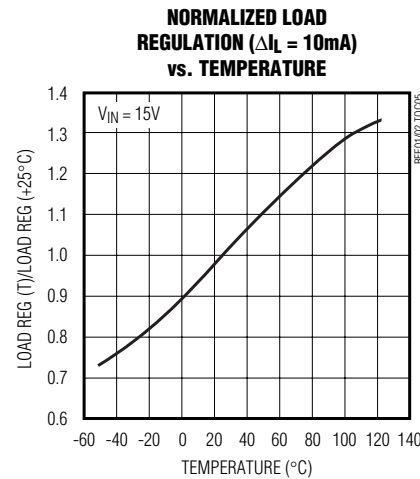
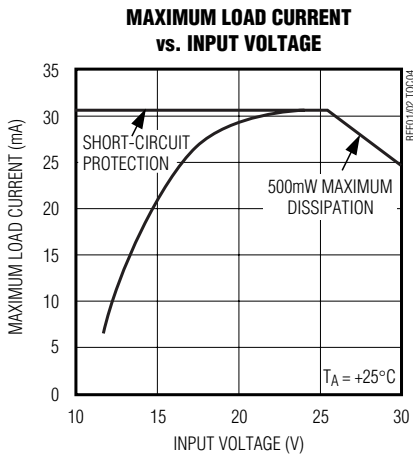
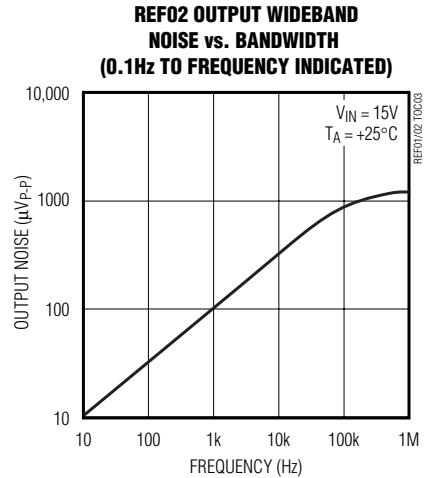
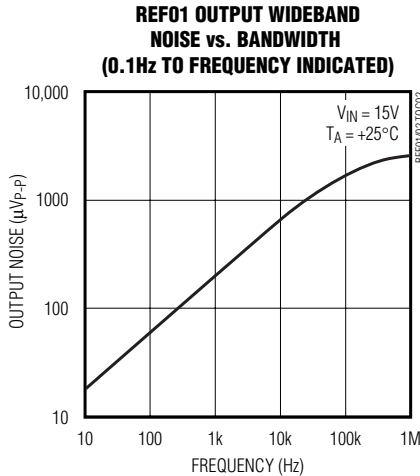
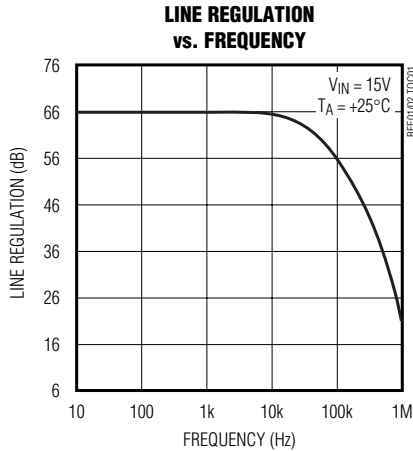
Figure 1. REF02 Temperature/Voltage Output vs. Temperature

+5V, +10V Precision Voltage References

Typical Operating Characteristics

($T_A = +25^\circ\text{C}$, unless otherwise noted.)

REF01/REF02



+5V, +10V Precision Voltage References

Typical Applications

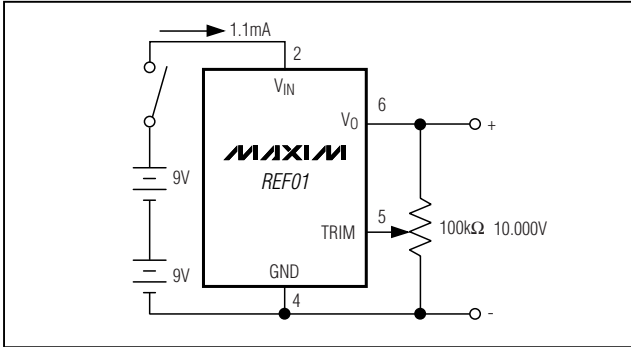


Figure 2. Precision Calibration Standard

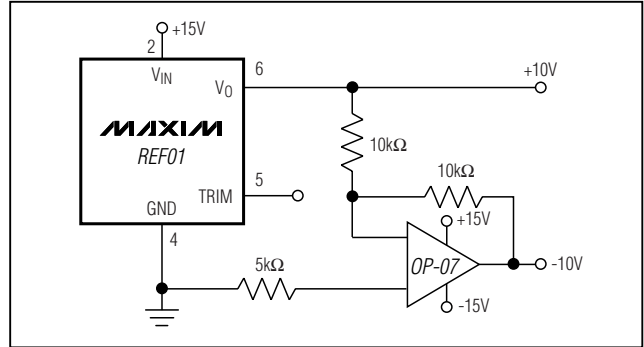


Figure 3. ±10V Reference

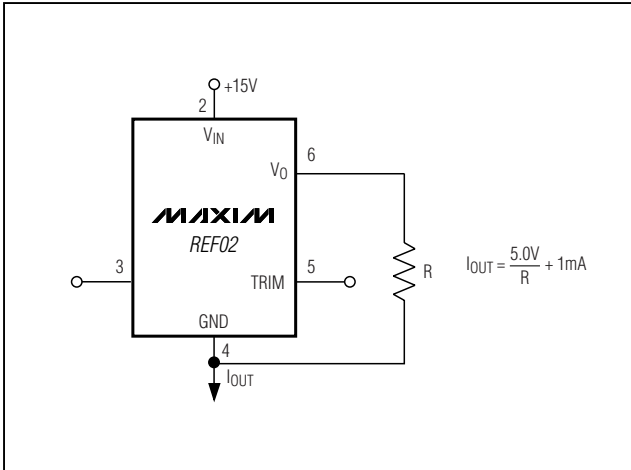


Figure 4. Current Source

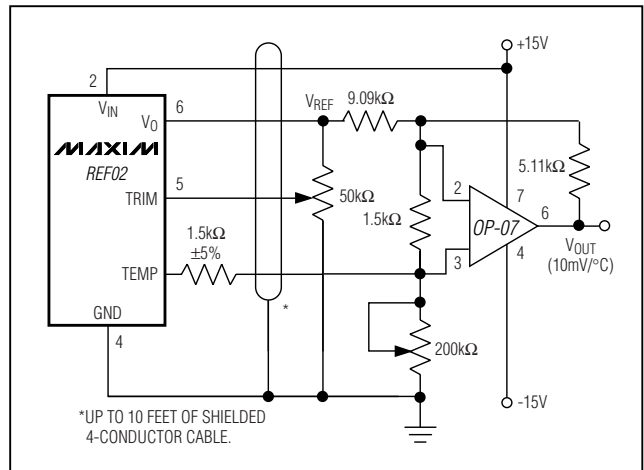
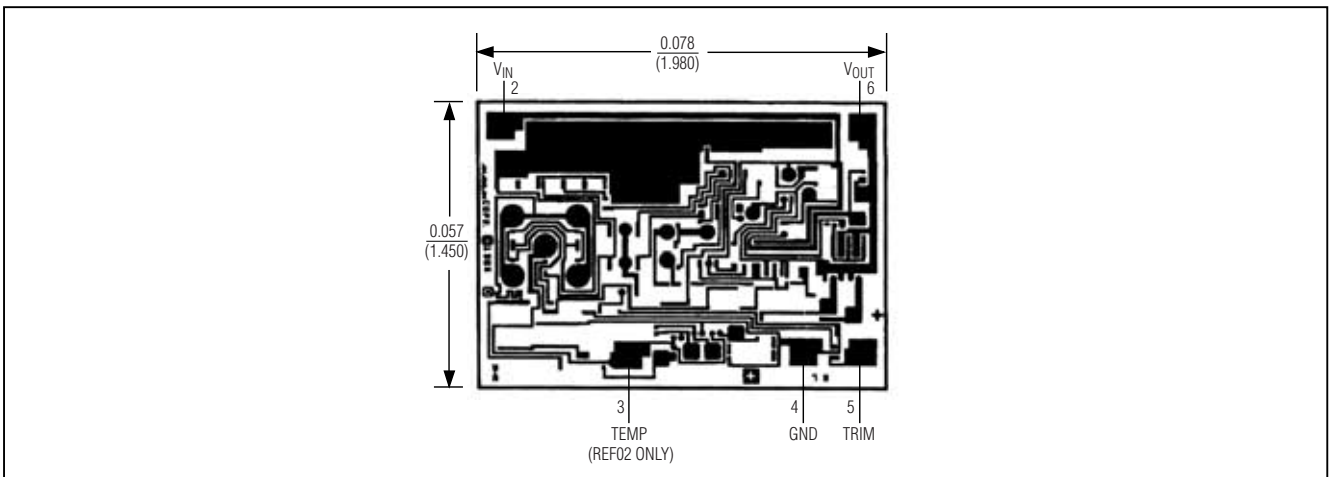


Figure 5. Precision Temperature Transducer with Remote Sensor

Chip Topography



+5V, +10V Precision Voltage References

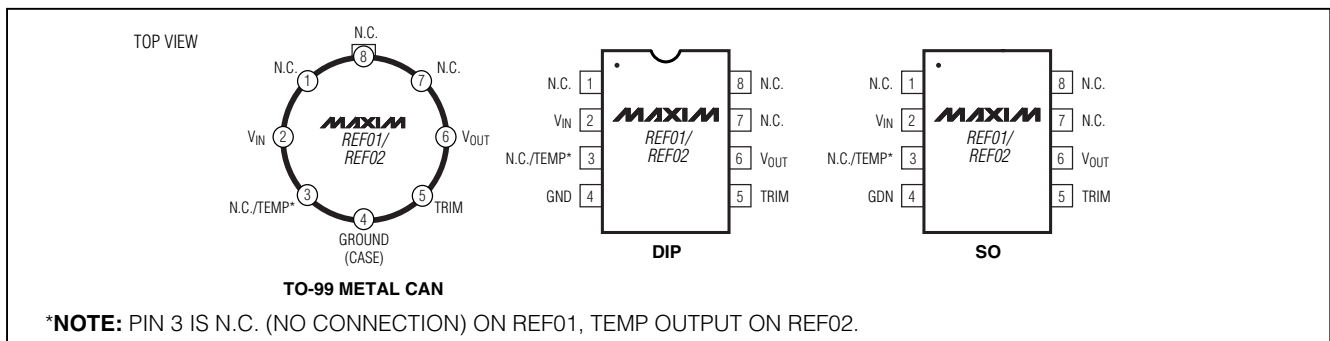
Ordering Information (continued)

REF01/REF02

PART	TEMP RANGE	MAX TEMPCO	INITIAL ERROR	PIN-PACKAGE
REF01AJ*	-55°C to +125°C	8.5	±30	8 TO-99
REF01AZ*	-55°C to +125°C	8.5	±15	8 Hermetic DIP
REF01CJ*	0°C to +70°C	65	±100	8 TO-99
REF01CP-2*	0°C to +70°C	65	±100	8 Plastic DIP
REF01CZ*	0°C to +70°C	65	±100	8 CERDIP
REF01EJ*	0°C to +70°C	8.5	±30	8 TO-99
REF01EZ*	0°C to +70°C	8.5	±30	8 CERDIP
REF01HF*	0°C to +70°C	25	±50	8 TO-99
REF01HZ*	0°C to +70°C	25	±50	8 Hermetic DIP
REF01J*	-55°C to +125°C	25	±50	8 TO-99
REF01Z*	-55°C to +125°C	25	±50	8 CERDIP
REF02AJ*	-55°C to +125°C	8.5	±15	8 TO-99
REF02AZ*	-55°C to +125°C	8.5	±15	8 Hermetic DIP
REF02CJ*	0°C to +70°C	65	±50	8 TO-99
REF02CZ*	0°C to +70°C	65	±50	8 CERDIP
REF02DJ*	0°C to +70°C	250	±100	8 TO-99
REF02DP*	0°C to +70°C	250	±100	8 Plastic DIP
REF02DSA*	0°C to +70°C	250	±100	8 SO
REF02EJ*	0°C to +70°C	8.5	±15	8 TO-99
REF02EZ*	0°C to +70°C	8.5	±15	8 CERDIP
REF02HJ*	0°C to +70°C	25	±25	8 TO-99
REF02HZ*	0°C to +70°C	25	±25	8 Hermetic DIP
REF02J*	-55°C to +125°C	25	±25	8 TO-99
REF02Z*	-55°C to +125°C	25	±25	8 CERDIP

*Not recommended for new designs. Contact factory for availability.

Pin Configurations



Package Information

For the latest package outline information, go to www.maxim-ic.com/packages.

Maxim cannot assume responsibility for use of any circuitry other than circuitry entirely embodied in a Maxim product. No circuit patent licenses are implied. Maxim reserves the right to change the circuitry and specifications without notice at any time.

Maxim Integrated Products, 120 San Gabriel Drive, Sunnyvale, CA 94086 408-737-7600 9