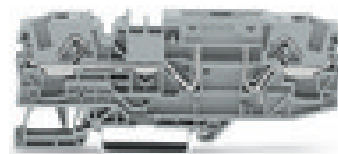




## 2-conductor carrier terminal block

Item No.: 2006-1661



### Marking

RoHS ✓  
Compliant

### Business data

Supplier	WAGO
Item no.	2006-1661
GTIN / EAN	4050821182894
Content	1

### Notes

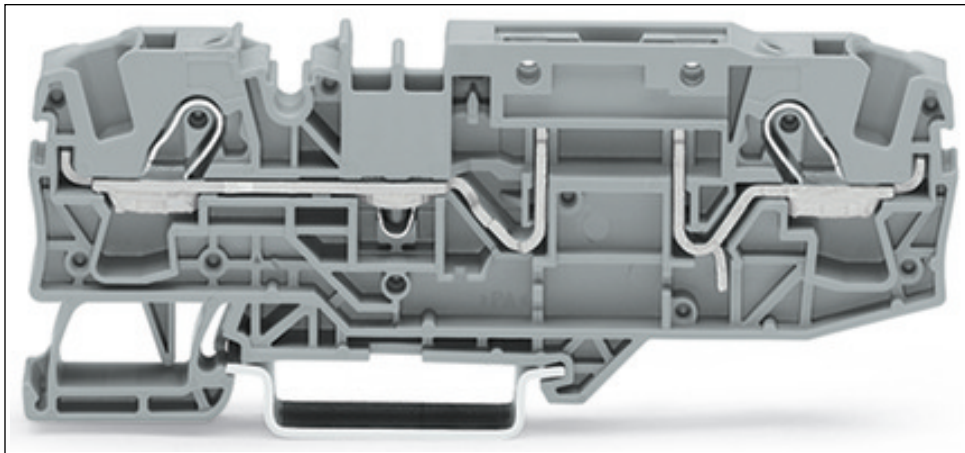
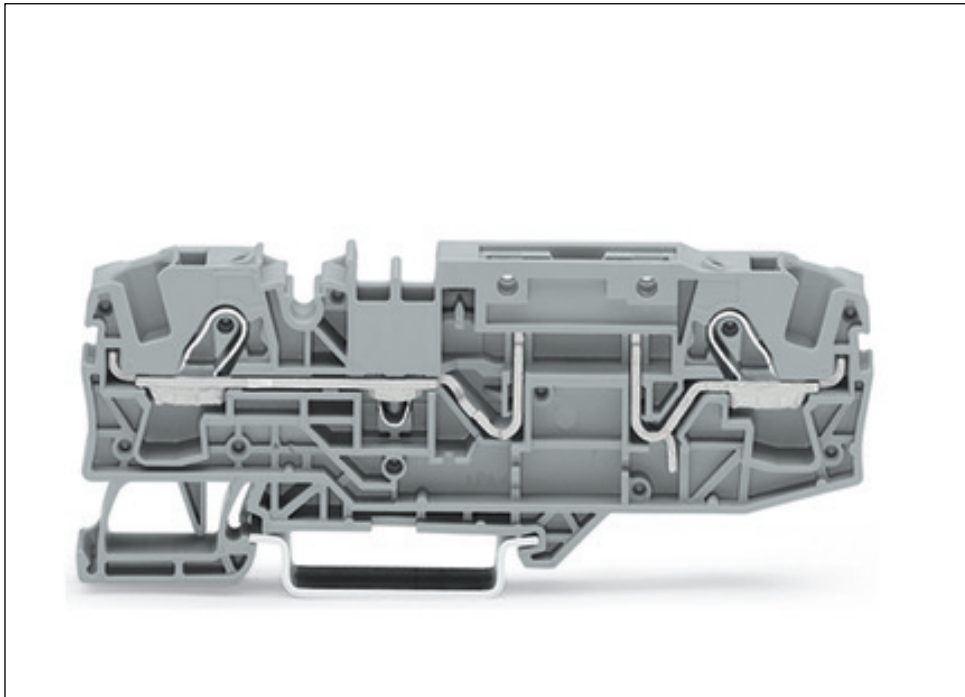
### Technical data

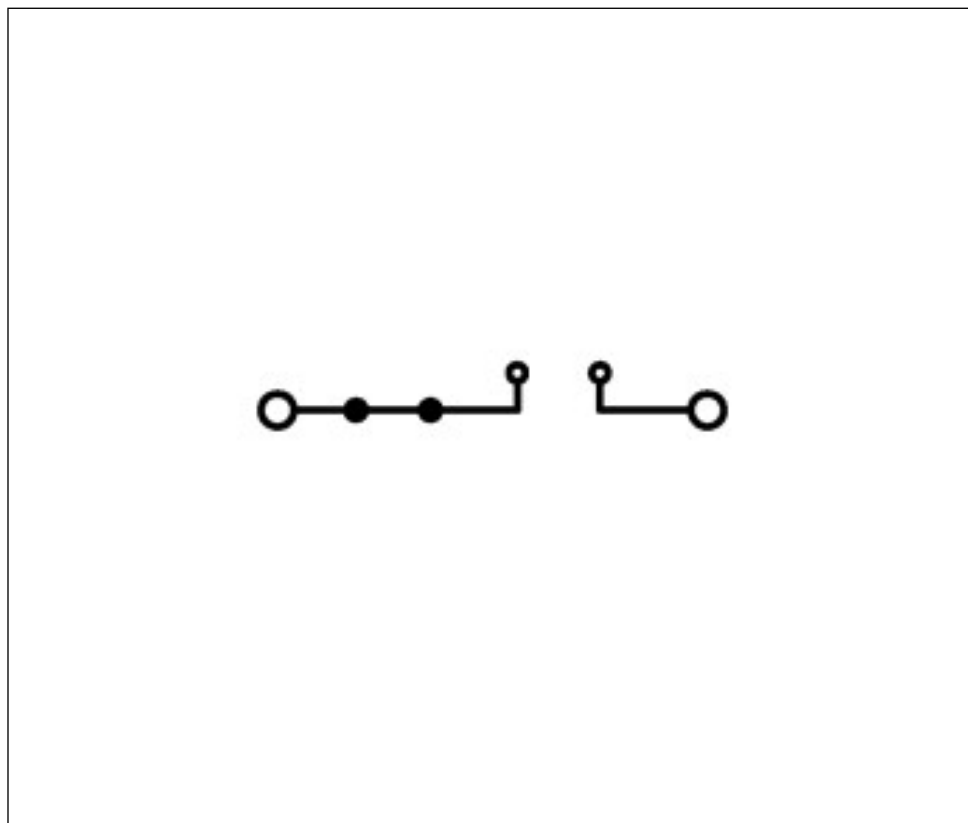
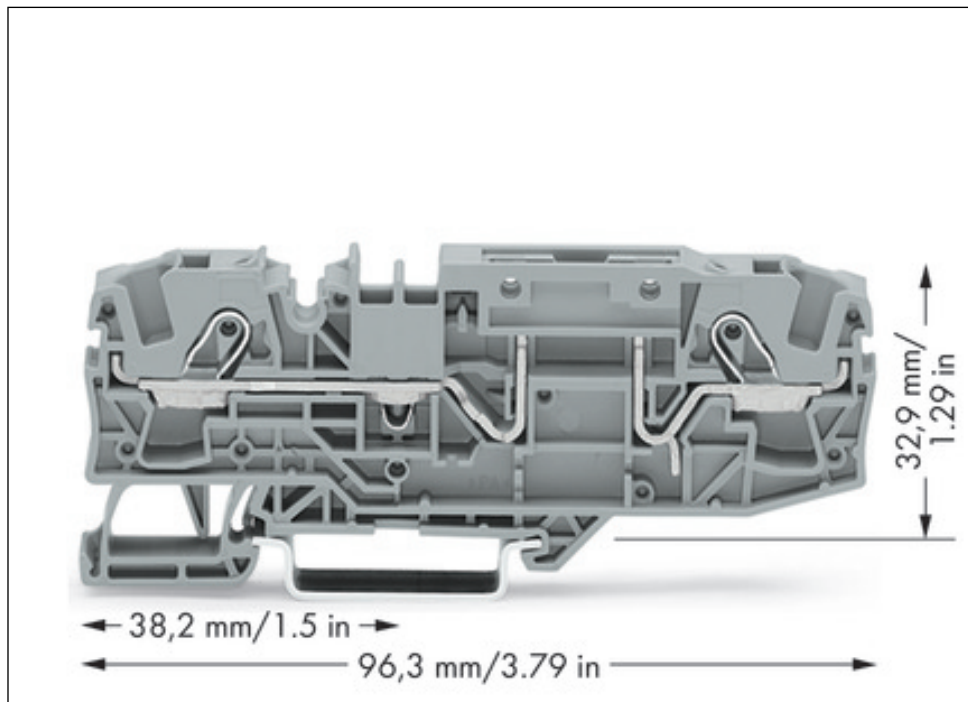
#### Miscellaneous

Ratings per	IEC/EN 60947-7-1
Rated voltage (III / 3) [V]	800 [V]
Rated impulse voltage (III / 3) [kV]	8 [kV]
Rated current [A]	30 [A]
Legend (ratings)	(III / 3) Overvoltage category III / Pollution degree 3

<b>Technical data</b>	
Type of wiring	Front-entry wiring
Total number of connection points	2
Total number of potentials	2
Number of levels	1
Connection technology	Push-in CAGE CLAMP®
Actuation type	Push-in
Connectable conductor materials	Copper
Nominal cross section	6 mm <sup>2</sup>
Solid conductor	0.5 ... 10 mm <sup>2</sup> / 20 ... 8 AWG
Solid conductor, push-in termination	1 ... 10 mm <sup>2</sup> / 14 ... 8 AWG
Fine-stranded conductor	0.5 ... 10 mm <sup>2</sup> / 20 ... 8 AWG
Fine-stranded conductor with ferrule, push-in termination, f	1.5 mm <sup>2</sup> / 16 AWG
Strip length	13 ... 15 mm / 0.51 ... 0.59 Inch
Width	7.5 mm / 0.295 Inch
Height from upper-edge of DIN-35 rail	32.9 mm / 1.295 Inch
Depth	96.3 mm / 3.791 Inch
Design	horizontal
Type of mounting	Carrier rail 35 x 15
Marking level	Center/side marking
Color	gray
Insulating material	Polyamide 66 (PA 66)
Fire load [MJ]	0.311 [MJ]
Weight [g]	17.935 [g]
Product Family	TOPJOB® S
Main product function	Disconnect terminal block
Product type	Function modules

Images & drawings





**Address**

WAGO Kontakttechnik GmbH & Co. KG

Hansastr. 27

32423 Minden

Telefon: 0571/887-0

Fax: 0571/887-169

<http://www.wago.com>

© WAGO Kontakttechnik GmbH & Co. KG

Technische Änderungen und Irrtümer vorbehalten.