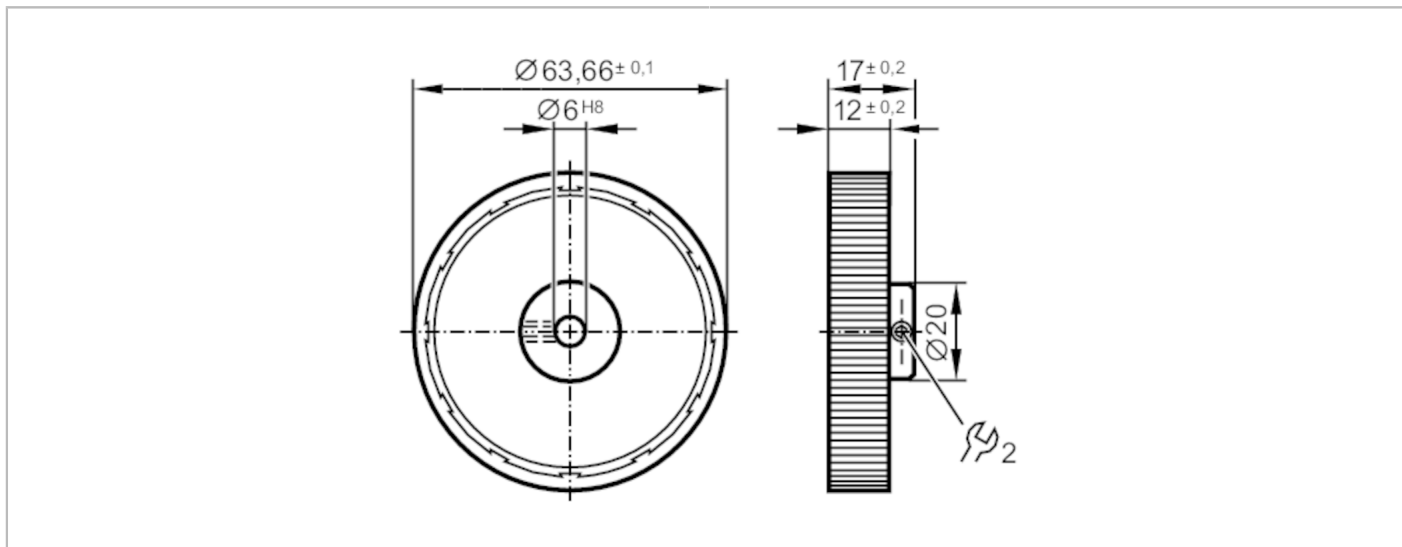


E60137



Measuring wheel

MEASURING WHEEL U:200 N:06



Application

Design: grooved plastic

Operating conditions

Ambient temperature [°C]: -30...80

Mechanical data

Weight [g]: 64
Inside diameter [mm]: 6
External diameter [mm]: 63.66
Materials: wheel: aluminium; surface characteristics: PU
Surface hardness: 90 Shore A
Circumference [mm]: 200

Remarks

Pack quantity: 1 pcs.