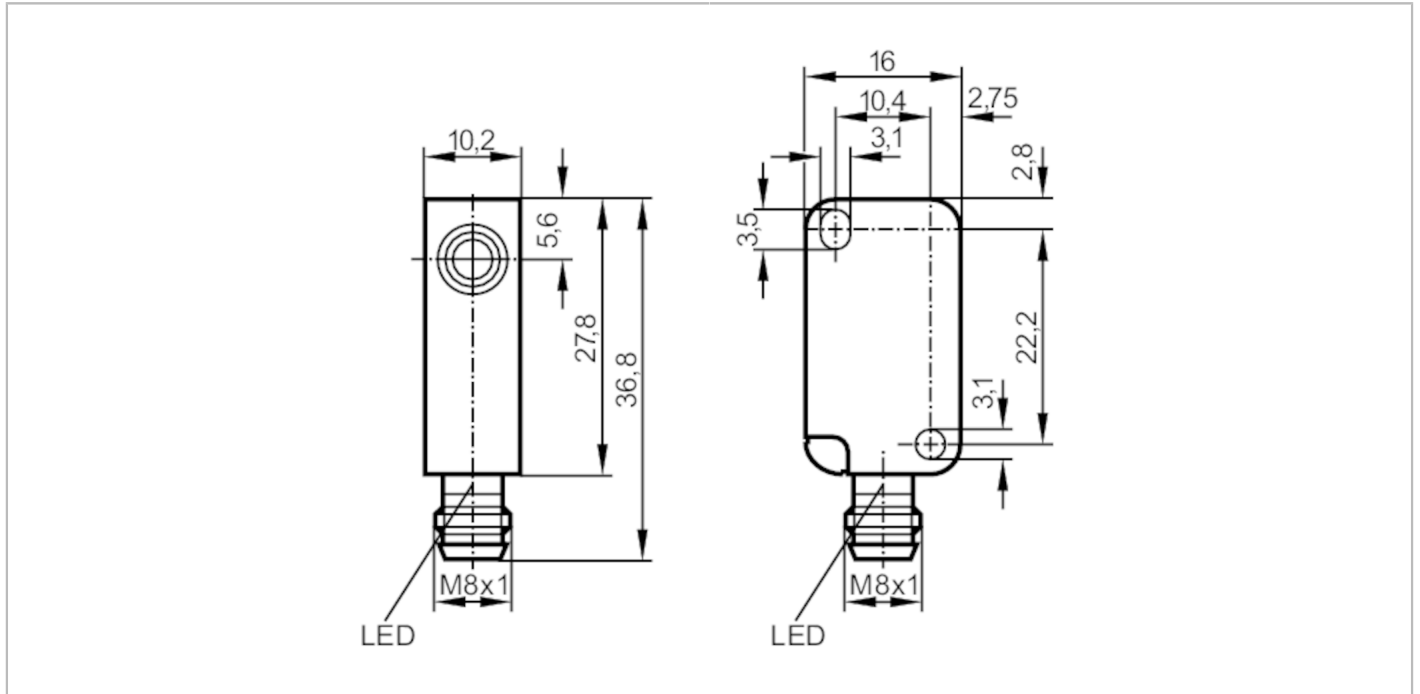


# IS5036



## Inductive sensor

IS-3002-APKG/AS



### Product characteristics

Electrical design		PNP
Output function		normally closed
Sensing range	[mm]	2
Housing		rectangular
Dimensions	[mm]	28 x 10 x 16

### Electrical data

Operating voltage	[V]	10...30 DC
Current consumption	[mA]	15; (24 V)
Protection class		III
Reverse polarity protection		yes

### Outputs

Electrical design		PNP
Output function		normally closed
Max. voltage drop switching output DC	[V]	2.5
Permanent current rating of switching output DC	[mA]	200
Switching frequency DC	[Hz]	800
Short-circuit protection		yes
Overload protection		yes

### Detection zone

Sensing range	[mm]	2
Real sensing range Sr	[mm]	2 ± 10 %
Operating distance	[mm]	0...1.6

# IS5036



## Inductive sensor

IS-3002-APKG/AS

### Accuracy / deviations

Correction factor	steel: 1 / stainless steel: 0.7 / brass: 0.4 / aluminium: 0.3 / copper: 0.2	
Hysteresis [% of Sr]	1...15	
Switch point drift [% of Sr]	-10...10	

### Operating conditions

Ambient temperature [°C]	-25...80	
Protection	IP 65; IP 67; (with ifm socket duly screwed on)	

### Tests / approvals

EMC	EN 61000-4-2 ESD	- CD / 8 kV AD
	EN 61000-4-3 HF radiated	10 V/m
	EN 61000-4-4 Burst	2 kV
	EN 61000-4-5 Surge	0,5 kV line to line, Ri: 2 Ohm
	EN 61000-4-6 HF conducted	10 V
MTTF [years]	EN 55011	class B
MTTF [years]	3060	

### Mechanical data

Weight [g]	11.1	
Housing	rectangular	
Mounting	flush mountable	
Dimensions [mm]	28 x 10 x 16	
Materials	PBT	
Tightening torque [Nm]	< 0.5; (with washer)	

### Displays / operating elements

Display	switching status	4 x LED, yellow
---------	------------------	-----------------

### Remarks

Pack quantity	1 pcs.	
---------------	--------	--

### Electrical connection - plug

Connector: 1 x M8



# IS5036



## Inductive sensor

IS-3002-APKG/AS

### Connection

