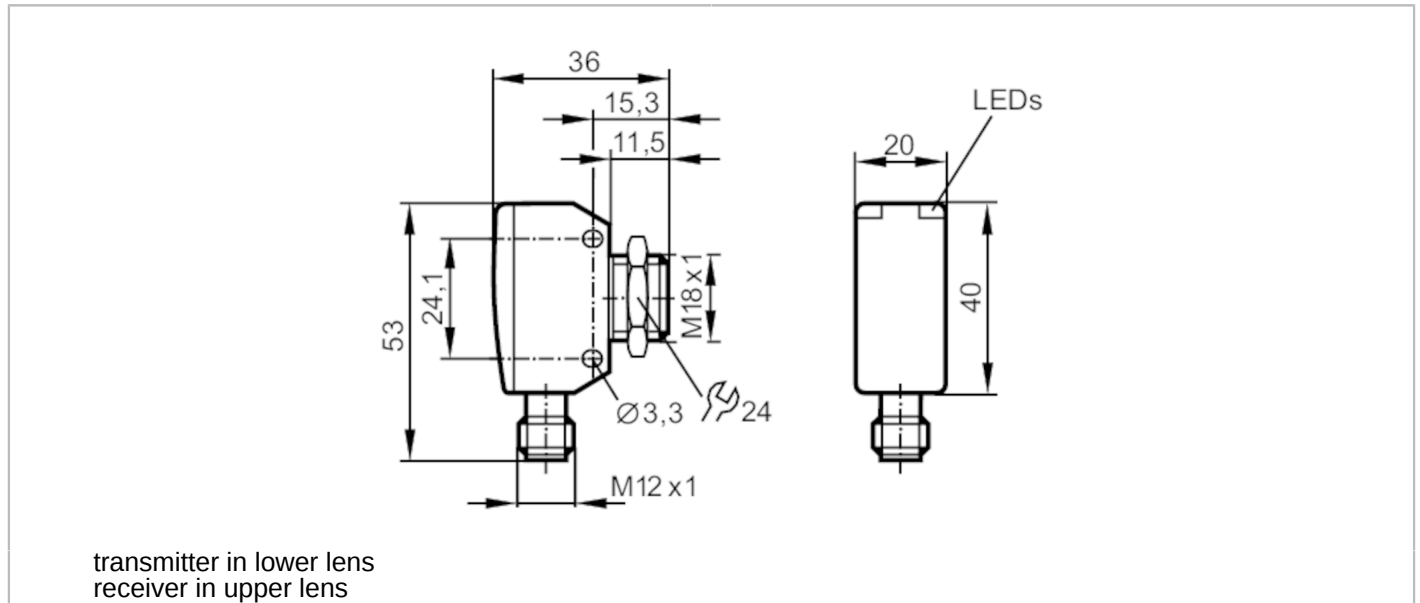




Through-beam sensor receiver

OGE-DNKG/US/V4A/CUBE



Product characteristics	
Type of light	red light
Housing	rectangular
Dimensions [mm]	M18 x 1
Application	
Function principle	Through-beam sensor
Electrical data	
Operating voltage [V]	10...30 DC
Current consumption [mA]	20
Protection class	III
Reverse polarity protection	yes
Type of light	red light
Wave length [nm]	624
Outputs	
Electrical design	NPN
Output function	dark-on mode
Max. voltage drop switching output DC [V]	2.5
Permanent current rating of switching output DC [mA]	150; (200 (...60 °C))
Switching frequency DC [Hz]	1000
Short-circuit protection	yes
Type of short-circuit protection	pulsed
Overload protection	yes

OGE382



Through-beam sensor receiver

OGE-DNKG/US/V4A/CUBE

Detection zone		
Transmitter / receiver		receiver
Range [m]		< 15
Range adjustable		no
Operating conditions		
Ambient temperature [°C]		-25...80
Protection		IP 65; IP 67; IP 68; IP 69K
Tests / approvals		
EMC	EN 60947-5-2	
MTTF [years]		961
Mechanical data		
Weight [g]		78.5
Housing		rectangular
Dimensions [mm]		M18 x 1
Thread designation		M18 x 1
Materials		1.4542 (17-4 PH / 630); PEI
Lens material		PEI
Lens alignment		side lens
Displays / operating elements		
Display	switching status	1 x LED, yellow
	operation	1 x LED, green
Accessories		
Accessories (supplied)		lock nut: 1 x, stainless steel
Remarks		
Remarks		operating voltage "supply class 2" according to cULus
Pack quantity		1 pcs.
Electrical connection		

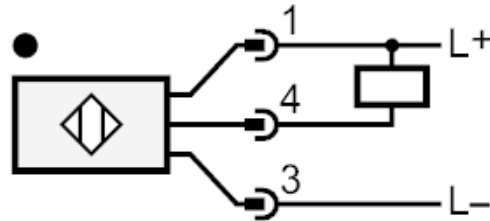
Connector: 1 x M12



Through-beam sensor receiver

OGE-DNKG/US/V4A/CUBE

Connection



Diagrams and graphs

excess gain graph

