



BASIC SWITCH FOR POSITION SWITCH 3SE51, METAL HOUSING 40MM TO EN50041 W. CONNECTOR 6+PE (3SY3131) TO EN43651, 1NO/1NC SNAP-ACTION CONTACTS PIN ASSIGNMENT: PIN1=21, PIN2=22, PIN3=13, PIN4=14, PIN5 AND PIN6 NOT CONNECTED, PE CONNECTED W. QUICK CHANGE SETUP 3SY3110+3SY3027, INCL. MATCHING CABLE PLUG 3SY3136

|   |  |   |
|---|--|---|
| Product designation   |  | basic switch for standard position switches including quick change system |
| <b>Manufacturer article number</b> <ul style="list-style-type: none"> <li>• of the supplied basic switch</li> <li>• of the supplied switching contacts</li> </ul> |  | <a href="#">3SE5115-0CA00-1AD0</a><br><a href="#">3SE5000-0CA00</a>       |

| General technical data:  |    |              |
|--|----|--------------|
| <b>Product function</b>  |    |              |
| <ul style="list-style-type: none"> <li>• positive opening</li> </ul>   |    | Yes          |
| <b>Insulation voltage</b>  |    |              |
| <ul style="list-style-type: none"> <li>• Rated value</li> </ul>  | V  | 250          |
| <b>Degree of pollution</b>   |    | class 3      |
| <b>Shock resistance</b>  |    | 30g / 11 ms  |
| <b>Vibration resistance</b>  |    | 0.35 mm / 5g |
| <b>Surge voltage resistance Rated value</b>  | kV | 2.5          |
| <b>Mechanical service life (switching cycles)</b>  |    |              |
| <ul style="list-style-type: none"> <li>• typical</li> </ul>  |    | 15 000 000   |
| <b>Electrical endurance (switching cycles)</b>   |    |              |
| <ul style="list-style-type: none"> <li>• at AC-15 at 230 V typical</li> </ul>  |    | 100 000      |
| <b>Electrical endurance (switching cycles) with contactor 3RH11, 3RT1016, 3RT1017, 3RT1024, 3RT1025, 3RT1026 typical</b> |    | 10 000 000   |
| <b>Electrical operating cycles in one hour with contactor 3RH11, 3RT1016, 3RT1017, 3RT1024, 3RT1025, 3RT1026</b>         |    | 6 000        |
| <b>Thermal current</b>   | A  | 6            |
| <b>Protection class IP</b>   |    | IP65         |

|   |    |            |
|---|----|------------|
| <b>Equipment marking</b>                        |    |            |
| • acc. to DIN EN 61346-2                        |    | B          |
| • acc. to DIN EN 81346-2                        |    | B          |
| <b>Active principle</b>                         |    | mechanical |
| <b>Repeat accuracy</b>                          | mm | 0.05       |
| Explosion protection category for dust          |    | none       |
| Explosion protection category for gas           |    | none       |
| Minimum actuating force in activation direction | N  | 20         |
| <b>Operating current at AC-15</b>               |    |            |
| • at 230 V Rated value                          | A  | 6          |
| <b>Operating current</b>                        |    |            |
| • at DC-13 at 125 V Rated value                 | A  | 0.55       |
| <b>Operating current</b>                        |    |            |
| • at DC-13                                      |    |            |
| — at 24 V Rated value                           | A  | 3          |

#### Enclosure:

|   |  |                            |
|---|--|----------------------------|
| <b>Design of the housing</b>                  |  | block, narrow              |
| <b>Material of the enclosure</b>              |  | metal                      |
| <b>Coating of the enclosure</b>               |  | cathodic immersion coating |
| <b>Design of the housing acc. to standard</b> |  | Yes                        |

#### Drive Head:

|  |  |  |
|--|--|--|
| <b>Design of the operating mechanism</b> |  | without  |
| <b>Design of the switching function</b>  |  | Positive opening with appropriate positive opening actuator head |

#### Connections/ Terminals:

|                                      |  |  |
|--------------------------------------|--|--|
| <b>Type of electrical connection</b> |  | plug, 6-pole + PU, according to EN 43651 |
|--------------------------------------|--|--|

#### Mechanical data:

|                                     |  |  |
|-------------------------------------|--|--|
| <b>Cable entry type</b>             |  | plug, 6-pole + PU, according to EN 43651   |
| <b>Design of plug-in connection</b> |  | plug, 6-pole + PU: Pin 1 = terminal 21, Pin 2 = 22, Pin 3 = 13, Pin 4 = 14, Pin 5 = not assigned, Pin 6 = not assigned, PU connected |

#### Communication/ Protocol:

|                                |  |         |
|--------------------------------|--|---------|
| <b>Design of the interface</b> |  | without |
|--------------------------------|--|---------|





#### Ambient conditions:

|                            |    |             |
|----------------------------|----|-------------|
| <b>Ambient temperature</b> |    |             |
| • during operation         | °C | -25 ... +85 |
| • during storage           | °C | -40 ... +90 |

#### Installation/ mounting/ dimensions:

|                          |  |              |
|--------------------------|--|--------------|
| <b>mounting position</b> |  | any          |
| <b>Mounting type</b>     |  | screw fixing |

Certificates/ approvals:

| General Product Approval   | Declaration of Conformity   | Test Certificates  | other   |
|--|---|--|---|
| <br>CSA | <br>UL | <br>EAC | <br>EG-Konf. |
|  |   | <a href="#">Special Test Certificate</a>   | <a href="#">Confirmation</a>  |

Further information

**Information- and Downloadcenter (Catalogs, Brochures,...)**

<http://www.siemens.com/industrial-controls/catalogs>

**Industry Mall (Online ordering system)**

<http://www.siemens.com/industrymall>

**Cax online generator**

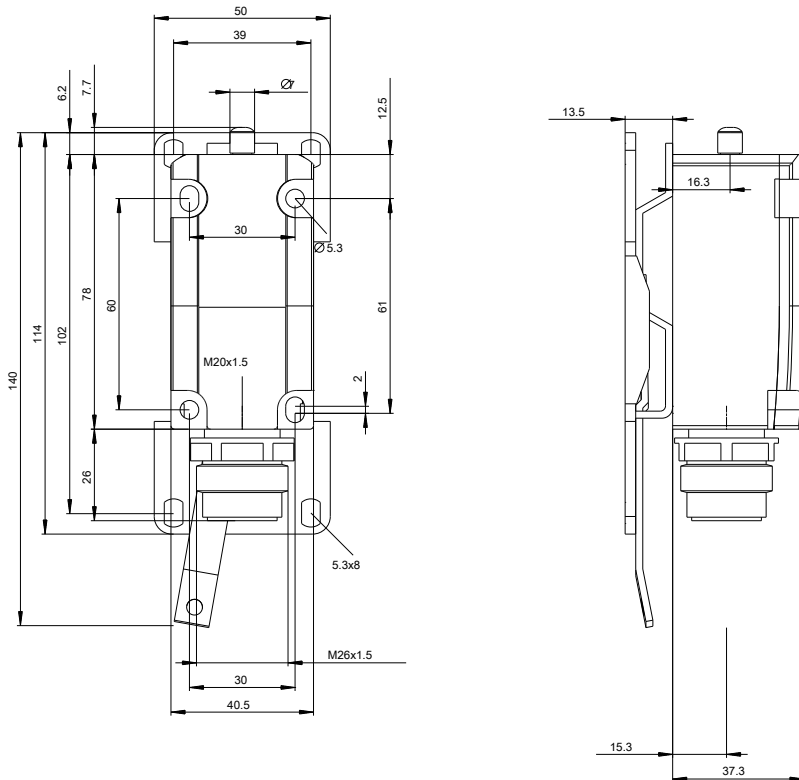
<http://support.automation.siemens.com/WW/CAXorder/default.aspx?lang=en&mlfb=3SE51150CA001AD0>

**Service&Support (Manuals, Certificates, Characteristics, FAQs,...)**

<http://support.automation.siemens.com/WW/view/en/3SE51150CA001AD0/all>

**Image database (product images, 2D dimension drawings, 3D models, device circuit diagrams, EPLAN macros, ...)**

[http://www.automation.siemens.com/bilddb/cax\\_de.aspx?mlfb=3SE51150CA001AD0&lang=en](http://www.automation.siemens.com/bilddb/cax_de.aspx?mlfb=3SE51150CA001AD0&lang=en)



**last modified:**

09.03.2015