

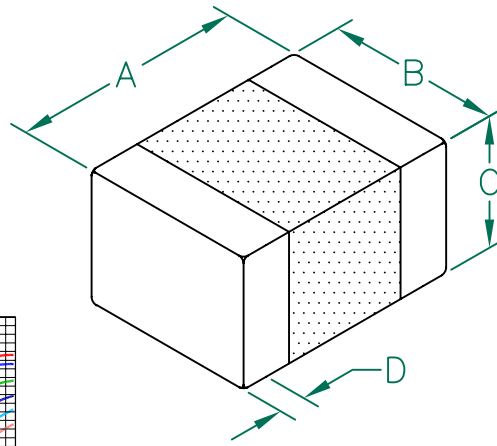
HI1612X560R-10



UNCONTROLLED DOCUMENT

PHYSICAL DIMENSIONS:

A	4.06 [.160]	+ 0.20 [.008]
B	3.05 [.120]	+ 0.20 [.008]
C	2.28 [.090]	+ 0.20 [.008]
D	0.70 [.028]	+ 0.25 [.010]



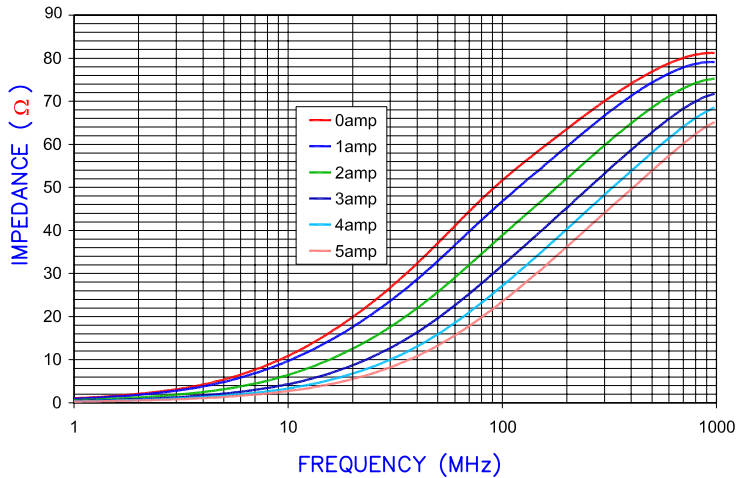
ELECTRICAL CHARACTERISTICS:

Z @ 100MHz (Ω)	DCR (Ω)	Rated Current
Nominal	56	
Minimum	42	
Maximum	70	0.004 10,000 mA

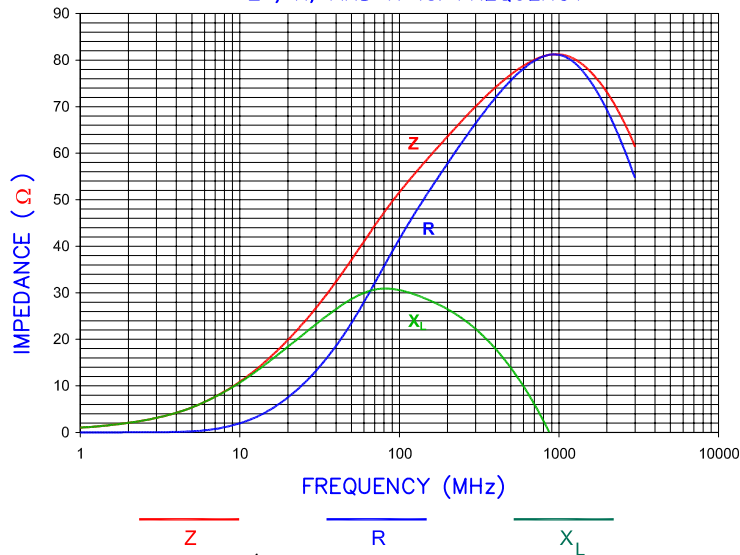
NOTES: UNLESS OTHERWISE SPECIFIED

1. TAPED AND REELED per CURRENT EIA SPECIFICATIONS 13" REELS, 2,500 PCS/REEL.
2. COMPONENTS SHOULD BE ADEQUATELY PREHEATED BEFORE SOLDERING.
3. TERMINATION FINISH IS 100% TIN.

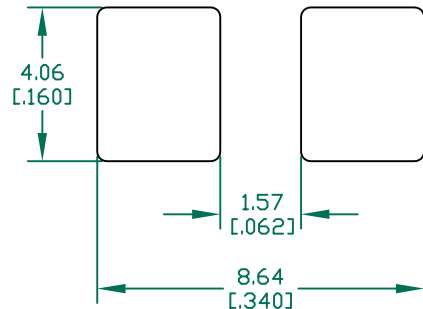
Z vs FREQUENCY
IMPEDANCE UNDER DC BIAS



Z, R, AND X vs. FREQUENCY

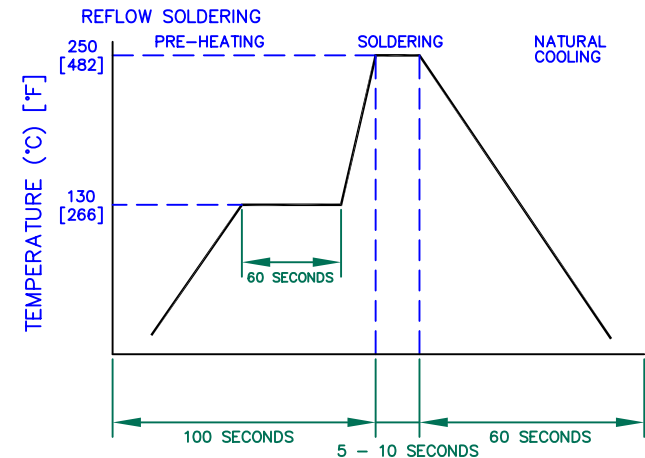


LAND PATTERNS FOR REFLOW SOLDERING



(For wave soldering, add 0.762 [.030] to this dimension.)

RECOMMENDED SOLDERING CONDITIONS



DIMENSIONS ARE IN mm [INCHES].

F	UPDATE D DIMENSION	03/12/10	JUN	This print is the property of Laird Tech. and is loaned in confidence subject to return upon request and with the understanding that no copies shall be made without the written consent of Laird Tech. All rights to design or invention are reserved.			
E	UPDATE COMPANY LOGO	06/15/09	JRK				
D	UPDATE COMPANY LOGO	01/18/08	JRK				
C	CHANGE TOLERANCE ON D DIMENSION	08/29/06	JRK				
B	CHANGE D DIMENSION & TOLERANCE	03/21/06	JRK				
A	ORIGINAL DRAFT	09/19/05	JRK	PROJECT/PART NUMBER: HI1612X560R-10	REV: F	PART TYPE: CO-FIRE	DRAWN BY: JRK
REV	DESCRIPTION	DATE	INT	DATE: 09/19/05	SCALE: NTS	SHEET: 2 of 2	

