
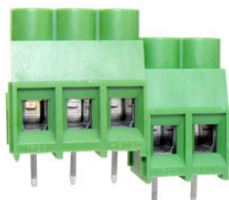


PCB TERMINAL BLOCKS

6.35mm Pitch High Power Rising Clamp Terminal Blocks

- 2 & 3 pole double interlocking mechanism for increased strength
- Moulded in green UL94-V0 flame retardant PA66
- Professional rising clamp terminals
- 0.2-6.0mm² (30-10AWG) solid & stranded cable
- Guided pin alignment
- Captive screws
-  approved

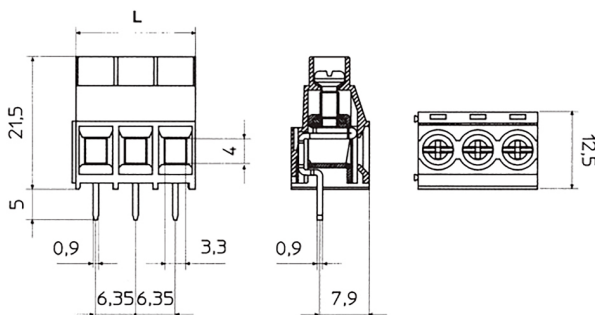
CTB04VY



SPECIFICATION

Rating	32A/400V UL=24A/300V, VDE&IMQ=32A/450V
Dielectric strength	≥2.5kV
Impulse withstand voltage	6kV
Working temperature	110°C
Moulding	UL94-V0 flame retardant PA66
Pin/terminal	Tinned, nickel plated brass
Rising Clamp	Zinc plated steel
Screw/torque	M3 steel zinc plated, 0.5Nm
Recommended PCB hole size	ø1.5mm

TYPE NO.	POLES	LENGTH
CTB04VY/2	2	12.7mm
CTB04VY/3	3	19.1mm
CTB04VY/4	4	25.4mm
CTB04VY/5	5	31.8mm
CTB04VY/6	6	38.1mm
CTB04VY/7	7	44.5mm
CTB04VY/8	8	50.8mm
CTB04VY/9	9	57.2mm
CTB04VY/10	10	63.5mm
CTB04VY/11	11	69.9mm
CTB04VY/12	12	76.2mm



PCB
TERMINAL
BLOCKS

INTER-
CONNECTION

FUSES &
FUSE-
HOLDERS

LEDs &
INDICATORS

MINIATURE
SWITCHES

LIMIT &
SAFETY
SWITCHES

CONTROL
PRODUCTS

INTERFACE
MODULES &
SUPPORTS

RELAY
BASES

DIN RAIL
ENCLOSURES

BATTERIES

SOLAR
PANELS

TRANS-
FORMERS



+44 (0)1638 716101
info@camdenboss.com
www.camdenboss.com

We operate a constant improvement policy, our products are subject to change without notice.

Ver 1.1

