



# Automotive Power Common Mode Chokes

**ACMP-Q3226**

Request Samples



Check Inventory



3.2 x 2.5 x 2.35 mm  
**RoHS/RoHS II Compliant**  
MSL Level = 1

## Features

- AEC-Q200 compliant, Grade 1
- PPAP ready and supported
- Manufactured in TS/IATF 16949 production lines
- Excellent impedance characteristics
- low DCR

## Applications

- DC power line common mode noise suppression.
- Multimedia devices
- Automotive power train
- Automotive infotainment

## Electrical Specifications

Part Number	Impedance ( $\Omega$ ) $\pm 25\%$ @100MHz	DCR (m $\Omega$ )	Rated Current (A)	Rated Voltage (Vdc)	Insulation Resistance ( $\Omega$ )
		Max	Max	Max	Min
ACMP-Q3226-501	500	180	0.8	50	10
ACMP-Q3226-102	1000	200	0.75	50	10
ACMP-Q3226-242	2400	300	0.64	50	10

**Rated Current is based on an Irms temperature rise of 40°C**

**ACMP-Q3226 is AEC-Q200 Automotive certified**

**ACMP-Q3226 Series is **RoHS Compliant and Pb free****

**Operating Temperature: -40°C to +125°C (AEC-Q200 Grade 1)**

**Storage Temperature (on PCB): -40°C to +125°C**

**Storage (in original packaging): <40°C, <70% RH**



# Automotive Power Common Mode Chokes

ACMP-Q3226

Request Samples

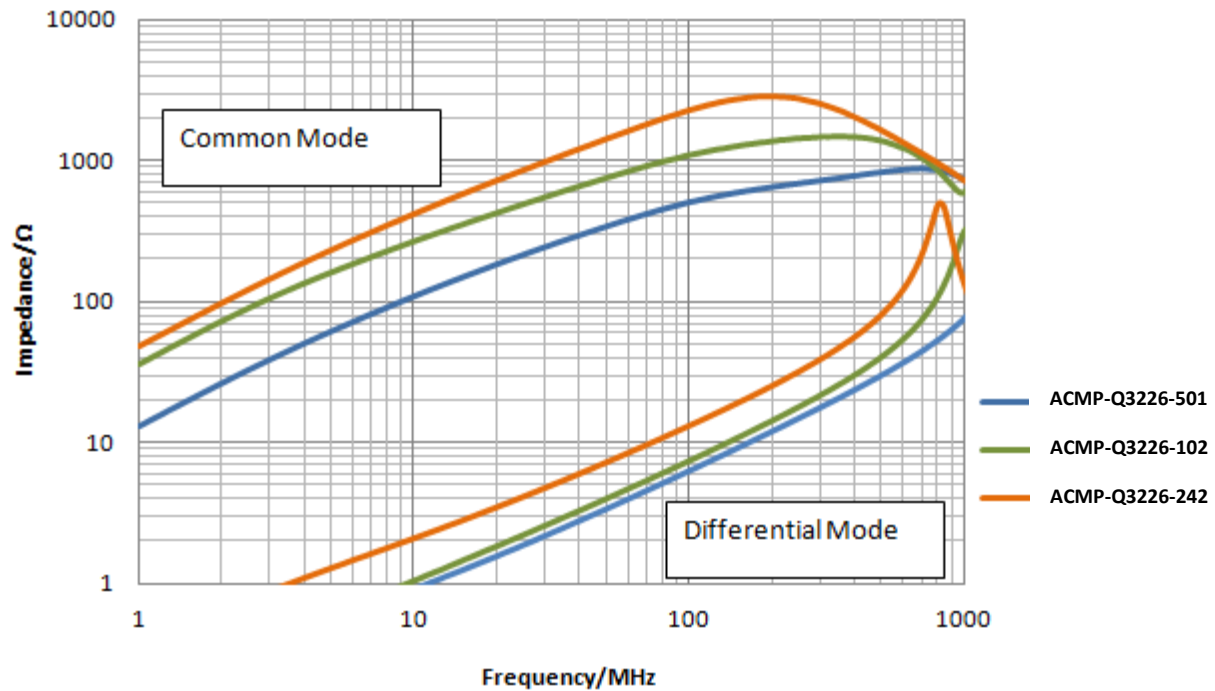


Check Inventory



3.2 x 2.5 x 2.35 mm  
RoHS/RoHS II Compliant  
MSL Level = 1

## Electrical Specifications





# Automotive Power Common Mode Chokes

ACMP-Q3226

Request Samples

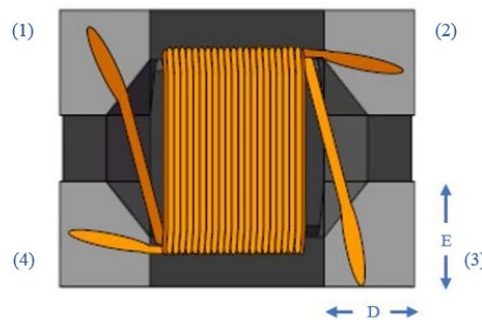
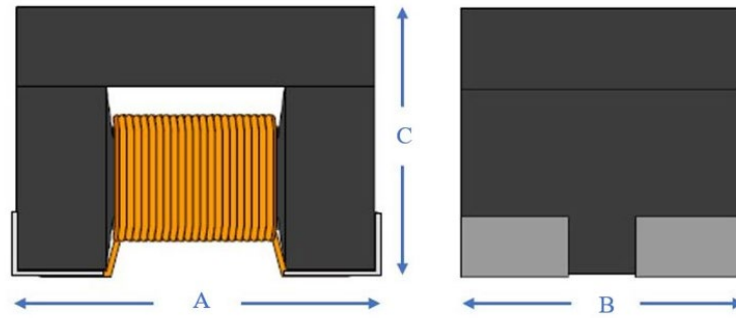


Check Inventory

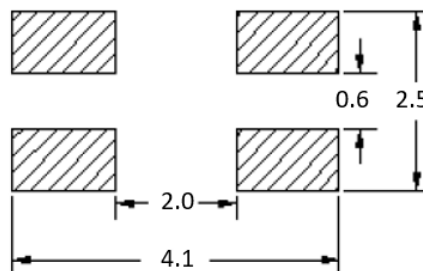


3.2 x 2.5 x 2.35 mm  
RoHS/RoHS II Compliant  
MSL Level = 1

## Mechanical Specifications



A	B	C	D	E
3.2 ±0.2	2.5 ±0.2	2.35 ±0.2	0.8	0.95



## Recommended Layout

Dimensions: mm



5101 Hidden Creek Ln, Spicewood TX 78669  
Phone: 512-371-6159 Fax: 512-351-8858  
For terms and conditions of sales, please visit:  
[www.abracon.com](http://www.abracon.com)

REVISION Initial Release  
3/31/2022

ABRACON IS  
ISO9001-2015  
CERTIFIED



# Automotive Power Common Mode Chokes

**ACMP-Q3226**

Request Samples

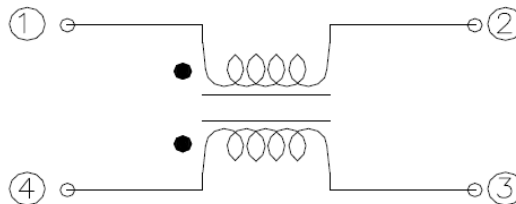


Check Inventory

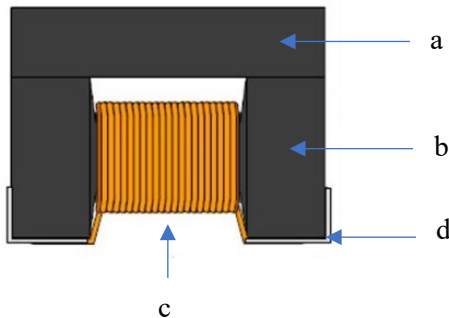


3.2 x 2.5 x 2.35 mm  
**RoHS/RoHS II Compliant**  
 MSL Level = 1

## Schematic

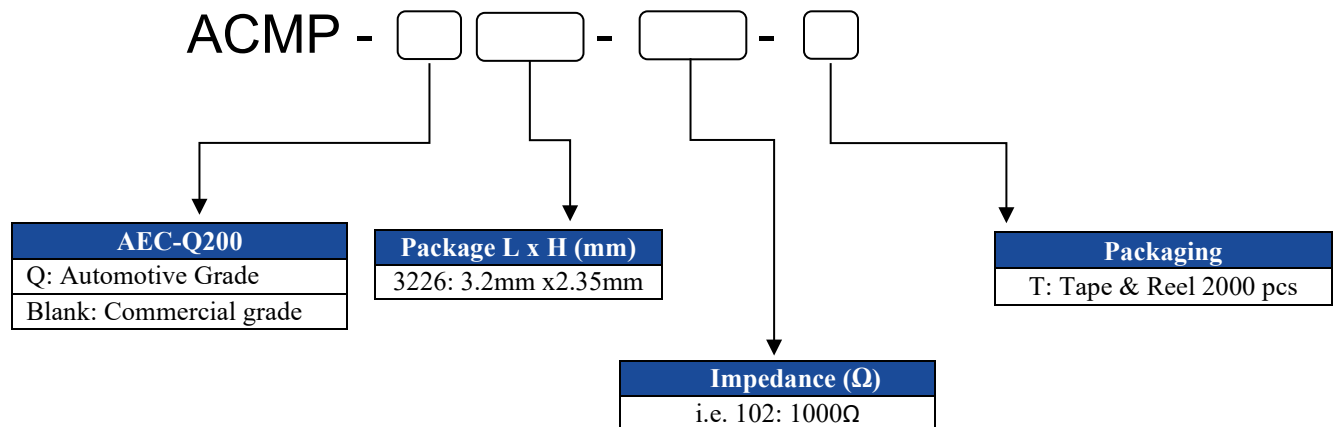


## Materials



	Description	Specification
a	Upper Plate	Ni-Zn Ferrite
b	Core	Ni-Zn Ferrite
c	Wire	Enameled copper wire
d	Electrode	Ag/Ni/Sn

## Part Identification





# Automotive Power Common Mode Chokes

ACMP-Q3226

Request Samples

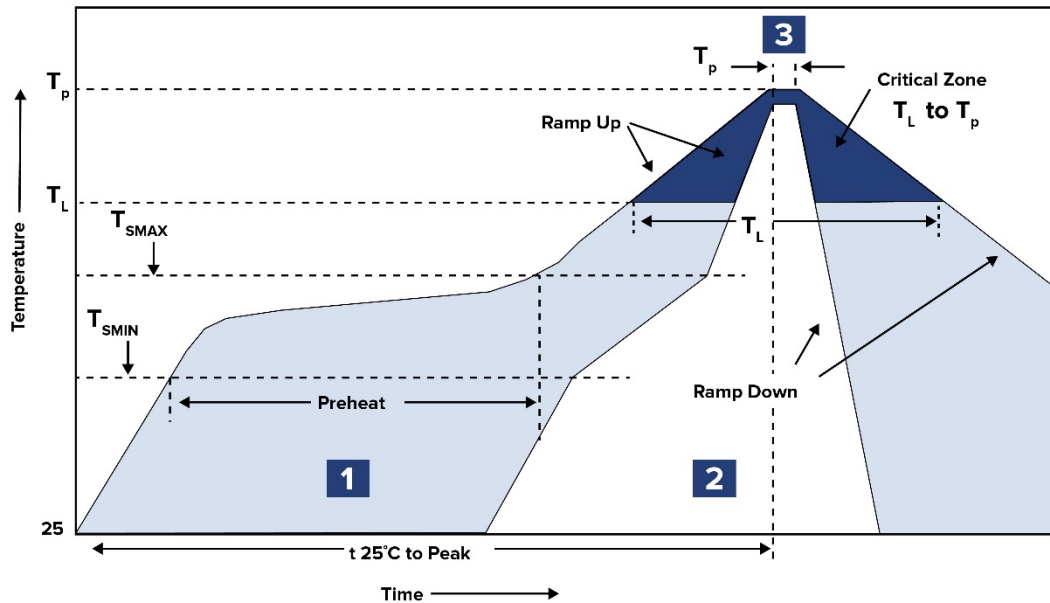


Check Inventory



3.2 x 2.5 x 2.35 mm  
**RoHS/RoHS II Compliant**  
 MSL Level = 1

## Reflow Profile



Zone	Description	Temperature	Times
1	Preheat	$T_{SMIN} \sim T_{SMAX}$ 150°C ~ 200°C	60 ~ 120 sec.
2	Reflow	$T_L$ 217°C	60 ~ 90 sec.
3	Peak heat	$T_P$ 260°C MAX	10 sec. MAX



# Automotive Power Common Mode Chokes

**ACMP-Q3226**

Request Samples



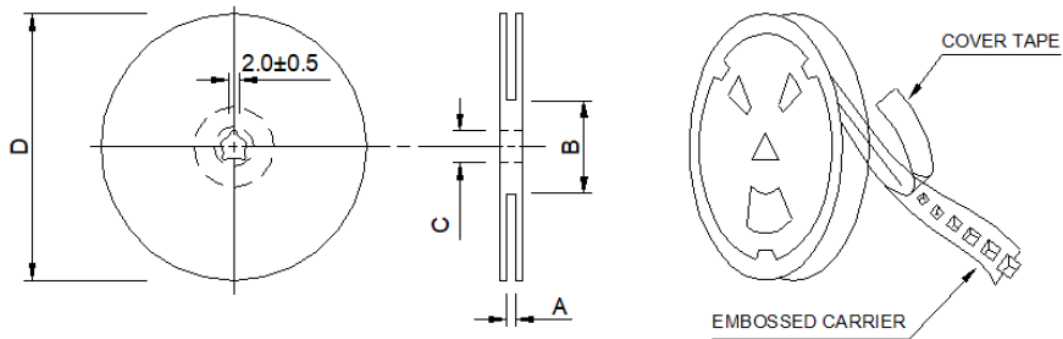
Check Inventory



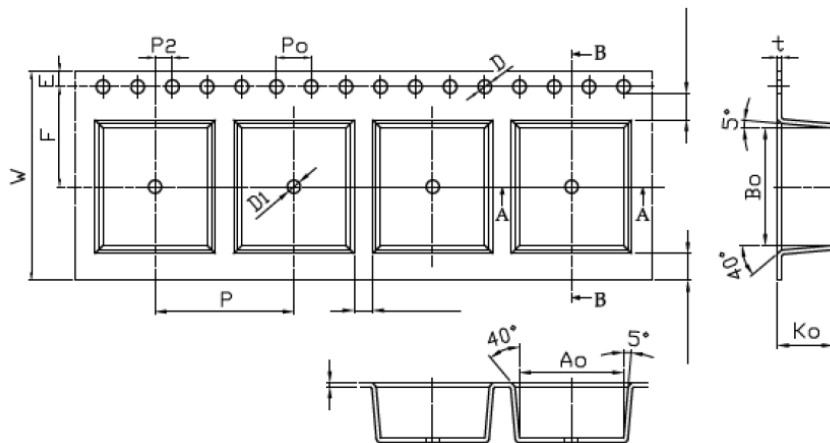
3.2 x 2.5 x 2.35 mm  
**RoHS/RoHS II Compliant**  
 MSL Level = 1

## Packaging

**Tape & Reel: 2000pcs/reel**



Series	A	B	C	D
ACMP-Q3226	13.0 ±0.5	100.0 ±2.0	13.0 ±0.2	330



W	P	E	F	P0	P2	B0	A0	K0	D	t
12.0 ±0.10	8.0 ±0.10	1.75 ±0.10	5.55 ±0.10	4.0 ±0.10	2.0 ±0.10	3.6 ±0.10	2.9 ±0.10	2.6 ±0.10	1.5 +0.10/-0	0.3 ±0.05

Dimensions: mm

**ATTENTION:** Abracon LLC's products are COTS – Commercial-Off-The-Shelf products; suitable for Commercial, Industrial and, where designated, Automotive Applications. Abracon's products are not specifically designed for Military, Aviation, Aerospace, Life-dependent Medical applications or any application requiring high reliability where component failure could result in loss of life and/or property. For applications requiring high reliability and/or presenting an extreme operating environment, written consent and authorization from Abracon LLC is required. Please contact Abracon LLC for more information.



5101 Hidden Creek Ln, Spicewood TX 78669  
 Phone: 512-371-6159 Fax: 512-351-8858  
 For terms and conditions of sales, please visit:  
[www.abracon.com](http://www.abracon.com)

**REVISION Initial Release**  
 3/31/2022

ABRACON IS  
 ISO9001-2015  
 CERTIFIED