

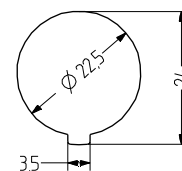
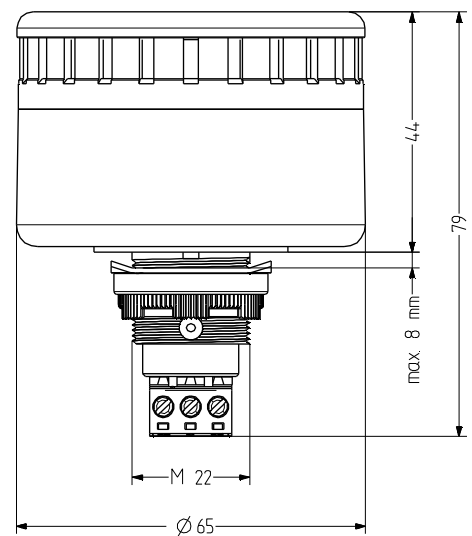
## ESG Panel mount buzzer

- $\varnothing$  65 mm panel-mount buzzer
- Max. 105 dB (A) sound pressure, infinitely adjustable
- High degree of protection IP 65
- Panel size  $\varnothing$  22.5 mm/M22
- 3 easily distinguishable tones
- User-friendly connection technology
- For industrial and general applications
- Adapter available for M30.5 mm panel size



### TECHNICAL DATA

Housing	$\varnothing$ 65 mm Polycarbonate black (RAL 9005) or grey (RAL 7035)
Type of mounting	any
Panel size	22 mm (M22) and 30.5 mm (with adapter)
Connection technology	plug-in screw terminal bis 2,5 mm <sup>2</sup>
Leakage current	0,003 A
Tone	3 Tones, 3 Tones can be switched externally, Steady tone, Pulsing tone or Alternating
Volume	85-105 dB (can be adjusted with potentiometer)
Tone frequency	3.300 Hz
Duty cycle	100 %
Operating temperature	-25 °C / +60 °C
Degree of protection	IP65 & UL Type 4/4x/13
Weight	65 g



# ESG

## ORDER DATA

Nominal voltage	Voltage range (V)	Nominal current (A)	Mains frequency	Housing colour	
				grey	black
12-24 V AC/DC	8-24	0,057	50-60 Hz	814 100 405	814 500 405
110-120 V AC	75-140	0,042	50-60 Hz	814 100 310	814 500 310
230 V AC	150-260	0,044	50-60 Hz	814 100 313	814 500 313



ADM30

## ACCESSORIES

Type	Type of accessory	Weight	Order number
ADM30	Adapter for M30.5 for 30.5 mm holes	8 g	812 500 900

## tone TABLE

Tone on terminal

La	N	Lb	
X	X		pulsing tone
	X	X	wobble tone
X	X	X	continuous tone