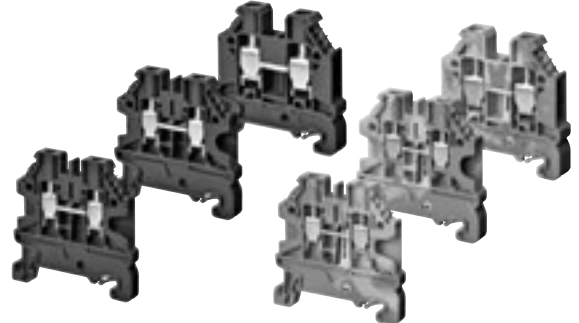


DIN Track Terminal Blocks with Screw Terminals XW5T

Global-standard DIN Terminal Blocks for Control Panels



- Wires held with screws.
- Compatible with a wide range of wire sizes from 0.14 to 185 mm².
- Terminal Blocks with Fuses and Disconnect Terminal Blocks are available.



Refer to *Safety Precautions* on page 14.

Refer to your OMRON website for the most recent information on models that are certified for standards.

Model Number Legend

Feed Through Terminal Blocks

XW5T - S
(1) (2) (3) (4)

(1) Nominal Cross Section

2.5: 2.5mm²
4.0: 4.0mm²
6.0: 6.0mm²
10: 10mm²
16: 16mm²
35: 35mm²
70: 70mm²
150: 150mm²

(2) Wiring

1.1:1:1
1.2:1:2
2.2:2:2

Grounding Terminal Blocks

XW5G - S
(1) (2) (3)

(3) Number of Tiers

1: 1 tier
2: 2 tiers

(4) Color

Blank: Dark gray
BL: Blue
V: Black (Vertical Connection)

Ordering Information

Product type	Applicable wire sizes	Applicable wire sizes with ferrules attached	Color	Wiring	Number of tiers	Model	Minimum order
Feed Through Terminal Blocks	0.14mm ² - 4mm ² AWG26-AWG12	0.5mm ² - 2.5mm ² AWG20-AWG14	Dark gray	1:1	1 tier	XW5T-S2.5-1.1-1	100
			Blue	1:1		XW5T-S2.5-1.1-1BL	100
			Dark gray	1:1	2 tiers	XW5T-S2.5-1.1-2	100
			Dark gray	1:1		XW5T-S2.5-1.1-2V	100
	0.14mm ² - 6mm ² AWG26-AWG10	0.5mm ² - 4mm ² AWG20-AWG12	Dark gray	1:1	1 tier	XW5T-S4.0-1.1-1	100
				1:2		XW5T-S4.0-1.2-1	100
				2:2		XW5T-S4.0-2.2-1	100
				1:1	2 tiers	XW5T-S4.0-1.1-2	100
			1:1	XW5T-S4.0-1.1-2V		100	
			Blue	1:1	1 tier	XW5T-S4.0-1.1-1BL	100
				1:2		XW5T-S4.0-1.2-1BL	100
				2:2		XW5T-S4.0-2.2-1BL	100
	0.2mm ² - 10mm ² AWG24-AWG8	0.5mm ² - 6mm ² AWG20-AWG10	Dark gray	1:1	1 tier	XW5T-S6.0-1.1-1	100
			Blue	1:1	1 tier	XW5T-S6.0-1.1-1BL	100
	0.5mm ² - 16mm ² AWG20-AWG6	0.5mm ² - 10mm ² AWG20-AWG8	Dark gray	1:1	1 tier	XW5T-S10-1.1-1	50
			Blue	1:1	1 tier	XW5T-S10-1.1-1BL	50
	4mm ² - 25mm ² AWG12-AWG4	4mm ² - 16mm ² AWG12-AWG6	Dark gray	1:1	1 tier	XW5T-S16-1.1-1	50
			Blue	1:1	1 tier	XW5T-S16-1.1-1BL	50
	10mm ² - 50mm ² AWG10-AWG1/0	10mm ² - 35mm ² AWG10-AWG2	Dark gray	1:1	1 tier	XW5T-S35-1.1-1	20
			Blue	1:1	1 tier	XW5T-S35-1.1-1BL	20
10mm ² - 95mm ² AWG6-AWG2/0	10mm ² - 70mm ² AWG6-AWG2/0	Dark gray	1:1	1 tier	XW5T-S70-1.1-1	20	
		Blue	1:1	1 tier	XW5T-S70-1.1-1BL	20	
35mm ² - 185mm ² AWG2/0-350kcmil	35mm ² - 150mm ² AWG2/0-300kcmil	Dark gray	1:1	1 tier	XW5T-S150-1.1-1	10	
		Blue	1:1	1 tier	XW5T-S150-1.1-1BL	10	
Grounding Terminal Blocks	0.14mm ² - 4mm ² AWG26-AWG12	0.5mm ² - 2.5mm ² AWG20-AWG14	Green/yellow	1:1	1 tier	XW5G-S2.5-1.1-1	100
				1:1		XW5G-S4.0-1.1-1	100
				1:2	1 tier	XW5G-S4.0-1.2-1	100
				2:2		XW5G-S4.0-2.2-1	100
	0.14mm ² - 6mm ² AWG26-AWG10	0.5mm ² - 4mm ² AWG20-AWG12		1:1	2 tiers	XW5G-S4.0-1.1-2	100
				0.2mm ² - 10mm ² AWG24-AWG8	0.5mm ² - 6mm ² AWG20-AWG10	1:1	1 tier
	0.5mm ² - 16mm ² AWG20-AWG6	0.5mm ² - 10mm ² AWG20-AWG8		1:1	1 tier	XW5G-S10-1.1-1	50
	4mm ² - 25mm ² AWG12-AWG4	4mm ² - 16mm ² AWG12-AWG6		1:1	1 tier	XW5G-S16-1.1-1	50
10mm ² - 50mm ² AWG10-AWG1/0	10mm ² - 35mm ² AWG24-AWG2	1:1	1 tier	XW5G-S35-1.1-1	20		
10mm ² - 95mm ² AWG6-AWG2/0	10mm ² - 70mm ² AWG6-AWG2/0	1:1	1 tier	XW5G-S70-1.1-1	20		
Terminal Blocks with Fuses	0.5mm ² - 4mm ² AWG20-AWG12	0.14mm ² - 2.5mm ² AWG26-AWG14	Dark gray	1:1	1 tier	XW5T-S4.0-FU5	50
						XW5T-S4.0-FU6	50
Disconnect Terminal Blocks						XW5T-S4.0-KD	100

Accessories

Short Bars

For XW5□-S2.5-□

No. of poles	Color	Model	Minimum order
2	Yellow (YL)	XW5S-S2.5-2	10
3		XW5S-S2.5-3	10
4		XW5S-S2.5-4	10
5		XW5S-S2.5-5	10
10		XW5S-S2.5-10	20

For XW5□-S4.0-□

No. of poles	Color	Model	Minimum order
2	Yellow (YL)	XW5S-S4.0-2	10
3		XW5S-S4.0-3	10
4		XW5S-S4.0-4	10
5		XW5S-S4.0-5	10
10		XW5S-S4.0-10	20

For XW5□-S6.0-□

No. of poles	Color	Model	Minimum order
2	Yellow (YL)	XW5S-S6.0-2	10
3		XW5S-S6.0-3	10
4		XW5S-S6.0-4	10
5		XW5S-S6.0-5	10

For XW5□-S10-□

No. of poles	Color	Model	Minimum order
2	Yellow (YL)	XW5S-S10-2	10

For XW5□-S16-□

No. of poles	Color	Model	Minimum order
2	Yellow (YL)	XW5S-S16-2	10

Cross Connector with Screw

For XW5□-S2.5-1.1-2□

No. of poles	Color	Model	Minimum order
2	Yellow (YL)	XW5S-S2.5-2N	10
3		XW5S-S2.5-3N	10
4		XW5S-S2.5-4N	10
5		XW5S-S2.5-5N	10
10		XW5S-S2.5-10N	10

End Covers

Applicable Terminal Blocks	Model	Minimum order
XW5□-S2.5-1.1-□ XW5□-S4.0-1.1-□ XW5□-S6.0-1.1-□ XW5□-S10-1.1-□	XW5E-S2.5	10
XW5T-S16-1.1-□	XW5E-S16	10
XW5T-S4.0-KD XW5□-S4.0-1.2-1	XW5E-S4.0-1.2-1	10
XW5□-S4.0-2.2-1	XW5E-S4.0-2.2-1	10
XW5□-S4.0-1.1-2□	XW5E-S4.0-1.1-2	10
XW5T-S2.5-1.1-2□	XW5E-S2.5N	10

Separator Plates

Applicable Terminal Blocks	Model	Minimum order
XW5□-S2.5-1.1-□ XW5□-S4.0-1.1-□ XW5□-S6.0-1.1-□ XW5□-S10-1.1-□	XW5Z-S2.5PT	10





Labels


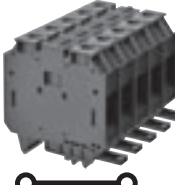
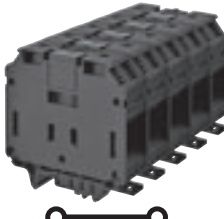
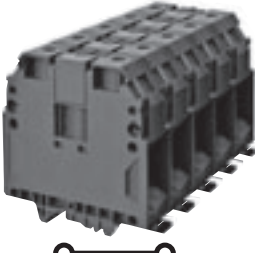
Applicable Terminal Blocks	Marking	Model	Minimum order
XW5□-S2.5-□	None	XW5Z-S2.5LB	25
	1-10	XW5Z-S2.5LB-1-10	25
	11-20	XW5Z-S2.5LB-11-20	25
	21-30	XW5Z-S2.5LB-21-30	25
	31-40	XW5Z-S2.5LB-31-40	25
	41-50	XW5Z-S2.5LB-41-50	25
	51-60	XW5Z-S2.5LB-51-60	25
	61-70	XW5Z-S2.5LB-61-70	25
	71-80	XW5Z-S2.5LB-71-80	25
	81-90	XW5Z-S2.5LB-81-90	25
	91-100	XW5Z-S2.5LB-91-100	25
	1-100	XW5Z-S2.5LB-1-100	1
	XW5□-S4.0-□	None	XW5Z-S4.0LB
1-10		XW5Z-S4.0LB-1-10	25
11-20		XW5Z-S4.0LB-11-20	25
21-30		XW5Z-S4.0LB-21-30	25
31-40		XW5Z-S4.0LB-31-40	25
41-50		XW5Z-S4.0LB-41-50	25
51-60		XW5Z-S4.0LB-51-60	25
61-70		XW5Z-S4.0LB-61-70	25
71-80		XW5Z-S4.0LB-71-80	25
81-90		XW5Z-S4.0LB-81-90	25
91-100		XW5Z-S4.0LB-91-100	25
1-100		XW5Z-S4.0LB-1-100	1
XW5□-S6.0-□		None	XW5Z-S6.0LB
	1-10	XW5Z-S6.0LB-1-10	25
	11-20	XW5Z-S6.0LB-11-20	25
	21-30	XW5Z-S6.0LB-21-30	25
	31-40	XW5Z-S6.0LB-31-40	25
	41-50	XW5Z-S6.0LB-41-50	25
	51-60	XW5Z-S6.0LB-51-60	25
	61-70	XW5Z-S6.0LB-61-70	25
	71-80	XW5Z-S6.0LB-71-80	25
	81-90	XW5Z-S6.0LB-81-90	25
	91-100	XW5Z-S6.0LB-91-100	25
	1-100	XW5Z-S6.0LB-1-100	1

XW5T

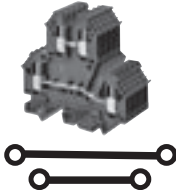
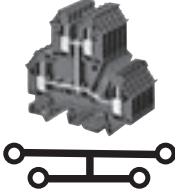

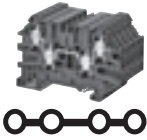
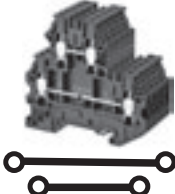
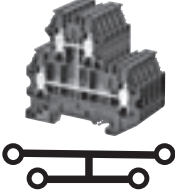
Ratings and Specifications

Feed Through Terminal Blocks


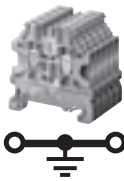
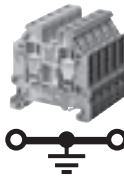
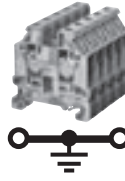

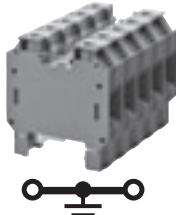
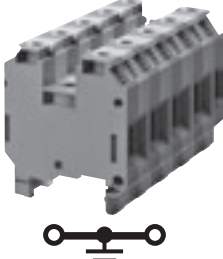
Appearance and Internal Wiring	1 tier, 1:1			
				
Applicable wire sizes	0.14 to 4 mm ² (Stranded wires: 0.14 to 4 mm ² , Solid wire: 0.14 to 4 mm ²)	0.14 to 6.0 mm ² (Stranded wires: 0.14 to 6.0 mm ² , Solid wire: 0.14 to 6.0 mm ²)	0.2 to 10 mm ² (Stranded wires: 0.2 to 10 mm ² , Solid wire: 0.2 to 10 mm ²)	0.5 to 16 mm ² (Stranded wires: 0.5 to 16 mm ² , Solid wire: 0.5 to 16 mm ²)
Model	XW5T-S2.5-1.1-1(BL)	XW5T-S4.0-1.1-1(BL)	XW5T-S6.0-1.1-1(BL)	XW5T-S10-1.1-1(BL)
Dimensions (mm)	5×48.2×56	6×48.2×56	8×48.2×56	10×48.2×56.2
IEC rated voltage	1,000 V			
IEC rated current	24 A	32 A	41 A	57 A
UL rated voltage	600 V			
UL rated current	20 A	30 A	50 A	65 A
Rated impulse voltage	8 kV			
Operating temperature range	-40 to 55°C (with no icing or condensation)			
Operating humidity range	5% to 95%			
Compliant standards	UL, CSA IEC60947-7-1			
End Covers	XW5E-S2.5			
Applicable label	XW5Z-S2.5LB□	XW5Z-S4.0LB□	XW5Z-S6.0LB□	---
Applicable Short Bars	XW5S-S2.5-□ (□: Poles = 2, 3, 4, 5, or 10)	XW5S-S4.0-□ (□: Poles = 2, 3, 4, 5, or 10)	XW5S-S6.0-□ (□: Poles = 2, 3, 4, or 5)	XW5S-S10-□ (□: Poles = 2)
Weight	Approx. 7 g	Approx. 9 g	Approx. 14 g	Approx. 16 g

Appearance and Internal Wiring	1 tier, 1:1			
				
Applicable wire sizes	1.5 to 25 mm ² (Stranded wires: 16 to 25 mm ² , Solid wire: 1.5 to 16 mm ²)	10 to 35 mm ² (Stranded wires: 10 to 35 mm ² , Solid wire: 10 mm ²)	10 to 70 mm ² (Stranded wires: 16 to 95 mm ²)	35 to 150 mm ² (Stranded wires: 35 to 150 mm ²)
Model	XW5T-S16-1.1-1(BL)	XW5T-S35-1.1-1(BL)	XW5T-S70-1.1-1(BL)	XW5T-S150-1.1-1(BL)
Dimensions (mm)	12×58.5×62	16×63×75.1	24×75.2×88.7	28×96×106.1
IEC rated voltage	1,000 V	800 V		1,000 V
IEC rated current	76 A	124 A	179 A	309 A
UL rated voltage	600 V			
UL rated current	85 A	150 A	175 A	335 A
Rated impulse voltage	8 kV			
Operating temperature range	-40 to 55°C (with no icing or condensation)			
Operating humidity range	5% to 95%			
Compliant standards	UL, CSA IEC60947-7-1			
End Covers	XW5E-S16		---	---
Applicable Short Bars	XW5S-S16-□ (□: Poles = 2)		---	---
Weight	Approx. 36 g	Approx. 73 g	Approx. 172 g	Approx. 268 g

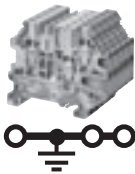
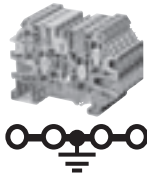
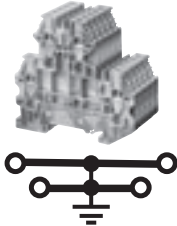
Feed Through Terminal Blocks

Appearance and Internal Wiring	2 tiers, 1:1 	2 tiers, 1:1 	1 tier, 1:2 
	Applicable wire sizes 0.5 to 2.5 mm ² (Stranded wires: 0.5 to 2.5 mm ² , Solid wire: 0.5 to 4 mm ²)	0.5 to 2.5 mm ² (Stranded wires: 0.5 to 2.5 mm ² , Solid wire: 0.5 to 4 mm ²)	0.14 to 6.0 mm ² (Stranded wires: 0.14 to 6 mm ² , Solid wire: 0.14 to 6 mm ²)
Model	XW5T-S2.5-1.1-2	XW5T-S2.5-1.1-2V	XW5T-S4.0-1.2-1(BL)
Dimensions (mm)	5×65.8×71.4		6×58×56
IEC rated voltage	500 V		
IEC rated current	24 A		32 A
UL rated voltage	600 V		300 V
UL rated current	20 A		30 A
Rated impulse voltage	8 kV		6 kV
Operating temperature range	-40 to 55°C (with no icing or condensation)		
Operating humidity range	5% to 95%		
Compliant standards	UL, CSA IEC60947-7-1		
End Covers	XW5E-S2.5N		XW5E-S4.0-1.2-1
Applicable label	XW5Z-2.5LB□		XW5Z-4.0LB□
Applicable Short Bars	XW5S-S2.5-□N (□: Poles = 2, 3, 4, 5, or 10)		XW5S-S4-□ (□: Poles = 2, 3, 4, 5, or 10)
Weight	Approx. 12 g	Approx. 14 g	Approx. 13 g
Appearance and Internal Wiring	1 tier, 2:2 	2 tiers, 1:1 	2 tiers, 1:1 
	Applicable wire sizes 0.14 to 6.0 mm ² (Stranded wires: 0.14 to 6 mm ² , Solid wire: 0.14 to 6 mm ²)	0.14 to 6.0 mm ² (Stranded wires: 0.14 to 6 mm ² , Solid wire: 0.14 to 6 mm ²)	
Model	XW5T-S4.0-2.2-1(BL)	XW5T-S4.0-1.1-2	XW5T-S4.0-1.1-2V
Dimensions (mm)	6×69×58	6×73×75	
IEC rated voltage	500 V	800 V	
IEC rated current	32 A		
UL rated voltage	300 V		
UL rated current	30 A		
Rated impulse voltage	6 kV	8 kV	
Operating temperature range	-40 to 55°C (with no icing or condensation)		
Operating humidity range	5% to 95%		
Compliant standards	UL, CSA IEC60947-7-1		
End Covers	XW5E-S4.0-2.2-1	XW5E-S4.0-1.1-2	
Applicable label	XW5Z-4.0LB□		
Applicable Short Bars	XW5S-S4-□ (□: Poles = 2, 3, 4, 5, or 10)		
Weight	Approx. 16 g	Approx. 18 g	Approx. 19 g



Grounding Terminal Blocks

Appearance and Internal Wiring	1 tier, 1:1 		1 tier, 1:1 		1 tier, 1:1 		1 tier, 1:1 	
	Applicable wire sizes 0.14 to 4 mm ² (Stranded wires: 0.14 to 4 mm ² , Solid wire: 0.14 to 4 mm ²)		Applicable wire sizes 0.14 to 6.0 mm ² (Stranded wires: 0.14 to 6.0 mm ² , Solid wire: 0.14 to 6.0 mm ²)		Applicable wire sizes 0.2 to 10 mm ² (Stranded wires: 0.2 to 10 mm ² , Solid wire: 0.2 to 10 mm ²)		Applicable wire sizes 0.5 to 16 mm ² (Stranded wires: 0.5 to 16 mm ² , Solid wire: 0.5 to 16 mm ²)	
Model	XW5G-S2.5-1.1-1		XW5G-S4.0-1.1-1		XW5G-S6.0-1.1-1		XW5G-S10-1.1-1	
Dimensions (mm)	5×48.2×56		6×48.2×56		8×48.2×56		10×48.2×56.2	
IEC rated voltage	600 V						1,000 V	
UL rated voltage	600 V							
Rated impulse voltage	8 kV							
Operating temperature range	−40 to 55°C (with no icing or condensation)							
Operating humidity range	5% to 95%							
Compliant standards	UL							
	IEC60947-7-2							
End Covers	XW5E-S2.5							
Applicable label	XW5Z-S2.5LB□		XW5Z-S4.0LB□		XW5Z-S6.0LB□		---	
Weight	Approx. 10 g		Approx. 12 g		Approx. 20 g		Approx. 22 g	
Appearance and Internal Wiring	1 tier, 1:1 		1 tier, 1:1 		1 tier, 1:1 			
	Applicable wire sizes 1.5 to 25 mm ² (Stranded wires: 16 to 25 mm ² , Solid wire: 1.5 to 16 mm ²)		Applicable wire sizes 10 to 35 mm ² (Stranded wires: 10 to 35 mm ² , Solid wire: 10 to 50 mm ²)		Applicable wire sizes 10 to 70 mm ² (Stranded wires: 10 to 70 mm ² , Solid wire: 16 to 95 mm ²)			
Model	XW5G-S16-1.1-1		XW5G-S35-1.1-1		XW5G-S70-1.1-1			
Dimensions (mm)	12×58.5×62		16×63×75.1		24×75.2×88.7			
IEC rated voltage	1,000 V							
UL rated voltage	600 V							
Rated impulse voltage	8 kV							
Operating temperature range	−40 to 55°C (with no icing or condensation)							
Operating humidity range	5% to 95%							
Compliant standards	UL							
	IEC60947-7-2							
End Covers	XW5E-S16		---					
Weight	Approx. 47 g		Approx. 119 g		Approx. 233 g			

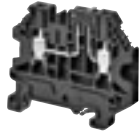
Grounding Terminal Blocks

Appearance and Internal Wiring	1 tier, 1:2	1 tier, 2:2	2 tiers, 1:1
			
Applicable wire sizes	0.14 to 6.0mm ² (Stranded wires: 0.14 to 6 mm ² , Solid wire: 0.14 to 6 mm ²)	0.14 to 6.0 mm ² (Stranded wires: 0.14 to 6 mm ² , Solid wire: 0.14 to 6 mm ²)	0.14 to 6.0 mm ² (Stranded wires: 0.14 to 6 mm ² , Solid wire: 0.14 to 6 mm ²)
Model	XW5G-S4.0-1.2-1	XW5G-S4.0-2.2-1	XW5G-S4.0-1.1-2
Dimensions (mm)	6×58×56	6×69×58	6×73×75
IEC rated voltage	500 V		800 V
UL rated voltage	300 V		
Rated impulse voltage	6 kV		
Operating temperature range	-40 to 55°C (with no icing or condensation)		
Operating humidity range	5% to 95%		
Compliant standards	UL		
	IEC60947-7-2		
End Covers	XW5E-S4.0-1.2-1	XW5E-S4.0-2.2-1	XW5E-S4.0-1.1-2
Applicable label	XW5Z-4.0LB□		
Weight	Approx. 15 g	Approx. 19 g	Approx. 22 g

Terminal Blocks with Fuses

Model	XW5T-S4.0-FU5	XW5T-S4.0-FU6
Appearance and Internal Wiring		
Applicable wire sizes	0.5 to 6.0mm ² (Stranded wires: 0.5 to 4.0 mm ² , Solid wire: 0.5 to 6.0 mm ²)	
Rated voltage	800 V	
Rated current	6.3 A	10 A
UL rated voltage	600 V	
UL rated current	6.3 A	10 A
Rated impulse voltage	8 kV	
Operating temperature range	-40 to 55°C	
Operating humidity range	5% to 95%	
Compliant standards	UL, CSA	
End Covers	---	
Applicable label	---	

Disconnect Terminal Blocks

Model	XW5T-S4.0-KD
Appearance and Internal Wiring	
Applicable wire sizes	0.14 to 6.0mm ² (Stranded wires: 0.14 to 6.0 mm ² , Solid wire: 0.14 to 6.0 mm ²)
Rated voltage	500 V
Rated current	20 A
UL rated voltage	300 V
UL rated current	16 A
Rated impulse voltage	6 kV
Operating temperature range	-40 to 55°C
Operating humidity range	5% to 95%
Compliant standards	IEC60947-7-1, UL, CSA
End Covers	XW5E-S4.0-1.2-1
Applicable Short Bars	XW5S-S4.0-□
Applicable label	XW5Z-S4.0LB□

Short Bar

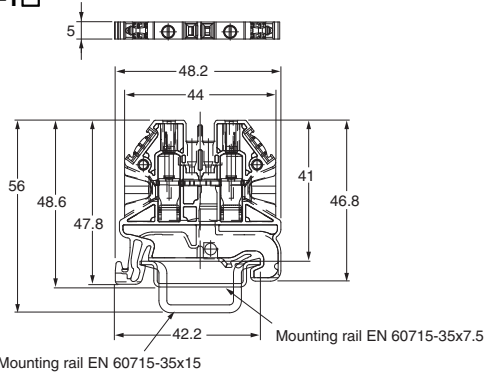
Model	XW5S-S2.5-□	XW5S-S4.0-□	XW5S-S6.0-□	XW5S-S10-□	XW5S-S16-□
IEC rated voltage	600 V			1,000 V	
IEC rated current	20 A	30 A	50 A	57 A	76 A
UL rated voltage	600 V				
UL rated current	20 A	30 A	50 A	65 A	85 A
Compliant standards	UL				
	IEC60947-7-1				

XW5T

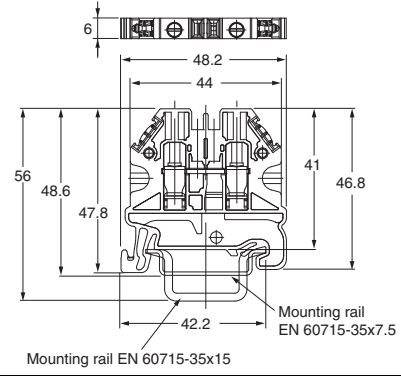
Dimensions

(Unit: mm)

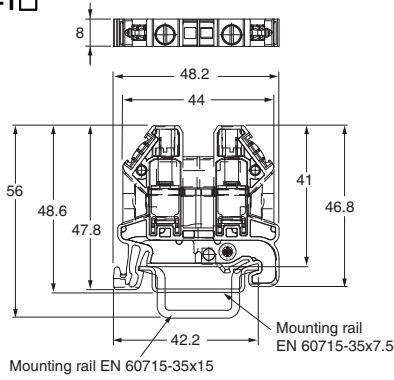
XW5□-□2.5-1.1-1□



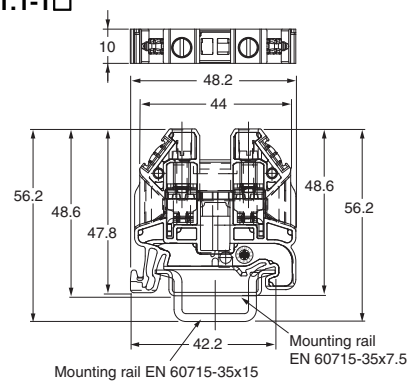
XW5□-S4.0-1.1-1



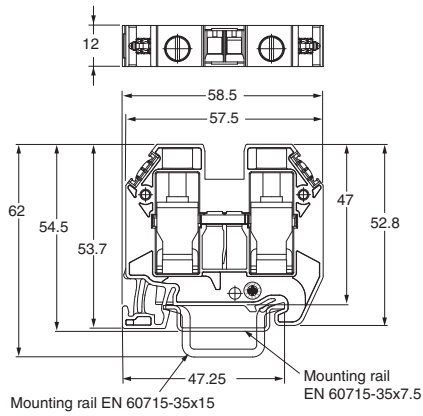
XW5□-S6.0-1.1-1□



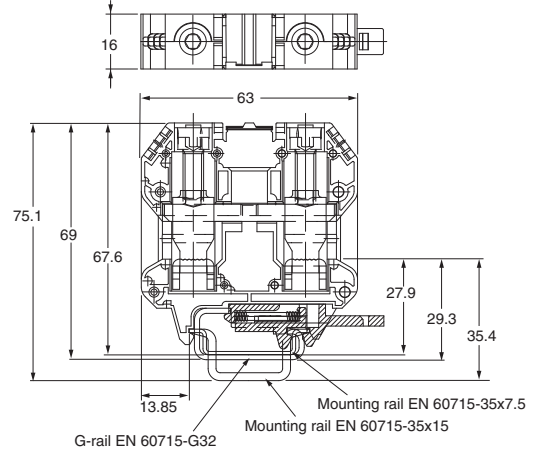
XW5□-S10-1.1-1□



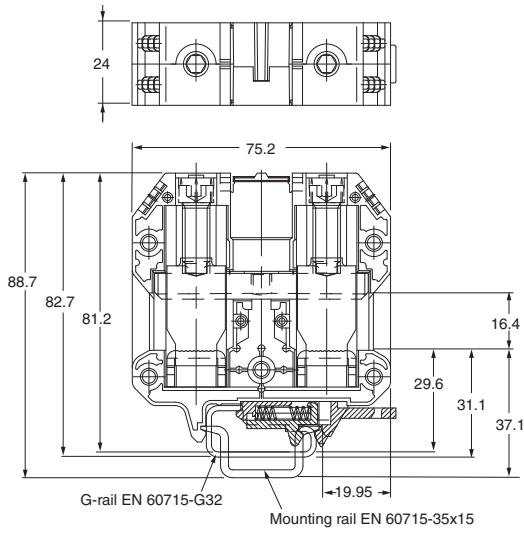
XW5□-S16-1.1-1□



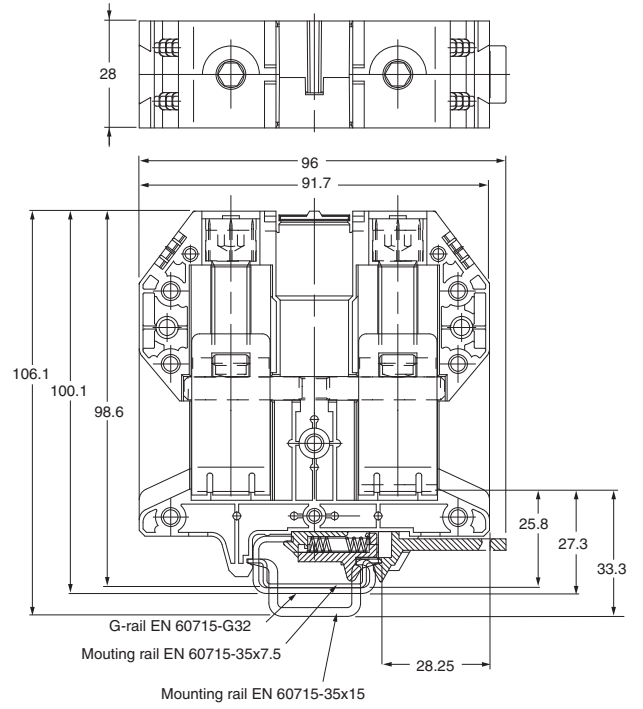
XW5□-S35-1.1-1□



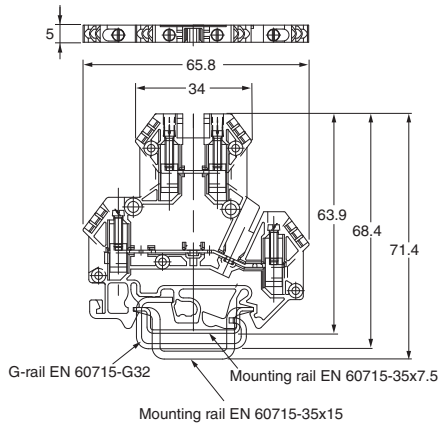
XW5□-S70-1.1-1□



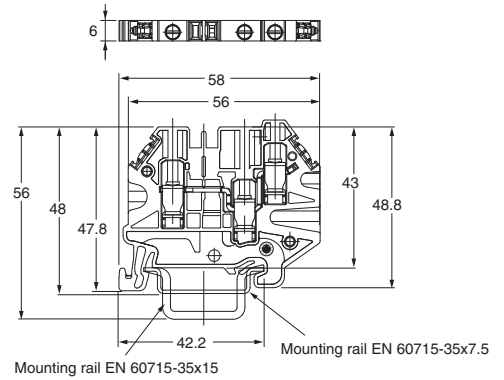
XW5□-S150-1.1-1□



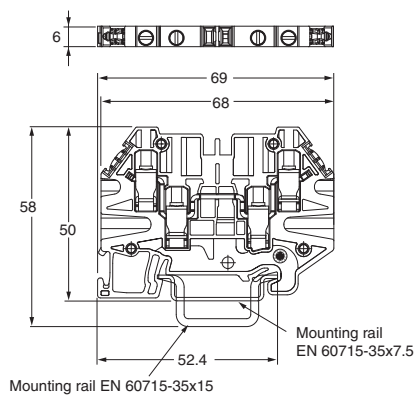
XW5□-S2.5-1.1-2□



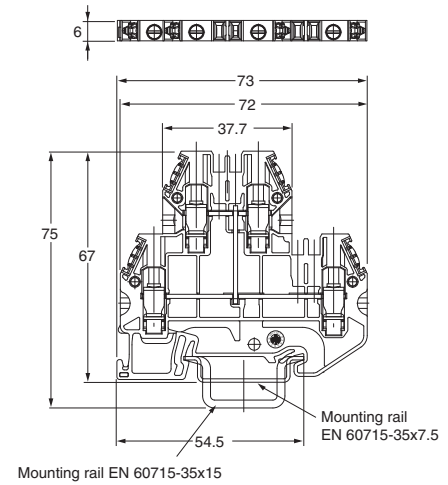
XW5□-S4.0-1.2-1



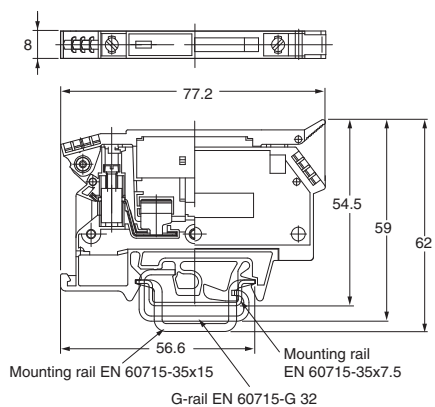
XW5□-S4.0-2.2-1



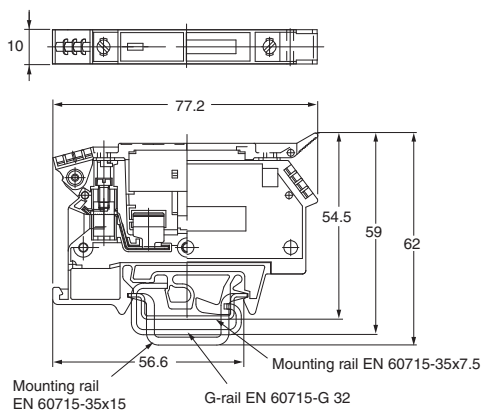
XW5□-S4.0-1.1-2□



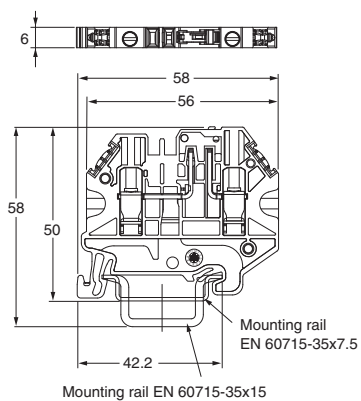
XW5T-S4.0-FU5



XW5T-S4.0-FU6

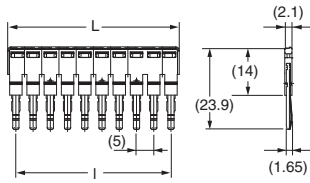


XW5T-S4.0-KD



Short Bars

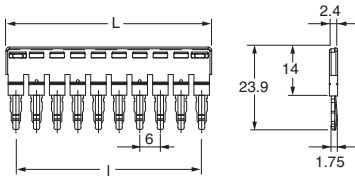
XW5S-S2.5-□



For XW5□-S2.5-□

Model	I (mm)	L (mm)
XW5S-S2.5-2	5	10
XW5S-S2.5-3	10	15
XW5S-S2.5-4	15	20
XW5S-S2.5-5	20	25
XW5S-S2.5-10	45	50

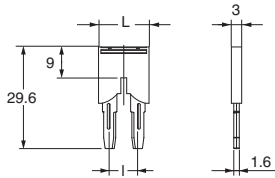
XW5S-S4.0-□



For XW5□-S4.0-□

Model	I (mm)	L (mm)
XW5S-S4.0-2	6	12
XW5S-S4.0-3	12	18
XW5S-S4.0-4	18	24
XW5S-S4.0-5	24	30
XW5S-S4.0-10	54	60

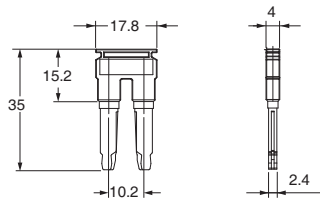
XW5S-S6.0-□



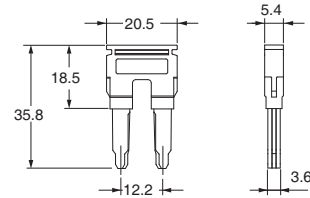
For XW5□-S6.0-□

Model	I (mm)	L (mm)
XW5S-S6.0-2	8.2	14.7
XW5S-S6.0-3	16.4	22.9
XW5S-S6.0-4	24.6	31.1
XW5S-S6.0-5	32.8	39.3

XW5S-S10-2

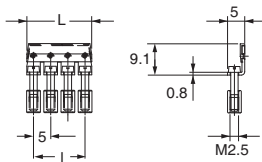


XW5S-S16-2



Cross Connector with Screw

XW5S-S2.5-□N

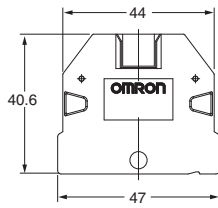


For XW5□-S2.5-1.1-2□

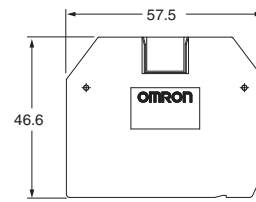
Model	I (mm)	L (mm)
XW5S-S2.5-2N	5	8.9
XW5S-S2.5-3N	10	13.9
XW5S-S2.5-4N	15	18.9
XW5S-S2.5-5N	20	23.9
XW5S-S2.5-10N	45	48.9

End Covers

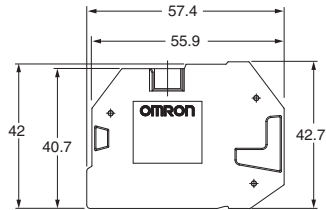
XW5E-S2.5



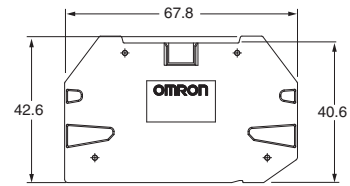
XW5E-S16



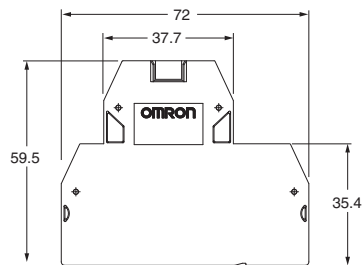
XW5E-S4.0-1.2-1



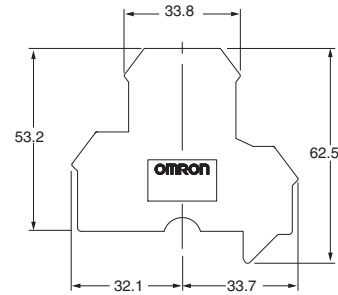
XW5E-S4.0-2.2-1



XW5E-S4.0-1.1-2

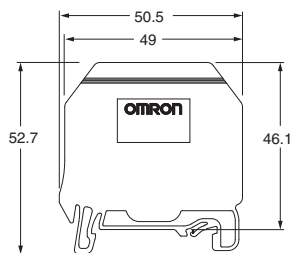


XW5E-S2.5N



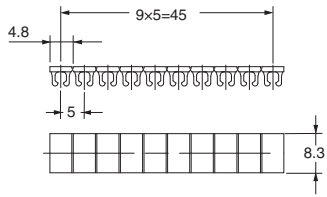
Separator Plates

XW5Z-S2.5PT

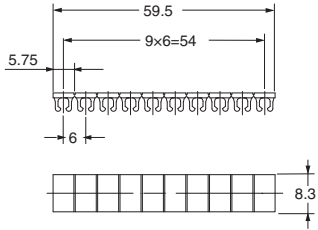


Label

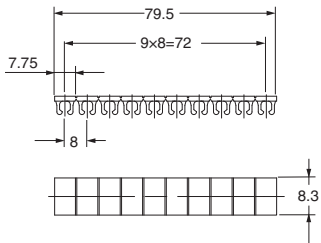
XW5Z-S2.5□



XW5Z-S4.0□



XW5Z-S6.0□



Safety Precautions

Be sure to read the precautions for all models in the website at the following URL: <http://www.ia.omron.com/>.

Signal Word Definitions

Precautions for Safe Use	Supplementary comments on what to do or avoid doing, to use the product safely.
Precautions for Correct Use	Supplementary comments on what to do or avoid doing, to prevent failure to operate, malfunction, or undesirable effects on product performance.

Precautions for Safe Use

- Do not bend a wire past its natural bending radius or pull on it with excessive force.
Doing so may cause the wire disconnection.
- Do not insert more than one wire into each terminal insertion hole.
- Before you start wiring, make sure that the Terminal Block is securely attached and mounted to a DIN Track.
If the Terminal Block is not stable, it may fall and possibly injure a worker.
- Do not install the Terminal Block upside down when mounting multiple Terminal Blocks.
Doing so may cause short circuits with the adjacent Terminal Block.

Precautions for Correct Use

1. Precautions for Correct Use

- Do not drop the Terminal Block. Terminal Block functionality may be inhibited.
- Always attach End Cover. Not doing so may cause electrical shock.
- When you wire the Terminal Block, do not subject it or the wires to stress. Secure the wires so that they do not resonate with vibrations from the facilities in installation conditions.
- Always turn OFF the power supply before wiring. Electrical shock may occur.

2. Connecting Wires to the Terminal Block

Wiring

- Double-check all wiring before turning ON the power supply.
- After wiring, route the cable so that force is not applied directly to the connections.

Wires for Terminal Blocks

- Do not damage the cores when stripping the insulation from them.
- Always twist stranded wires together before connecting them.
- Do not presolder wires. It may not be possible to connect them or remove them.

Screw Tightening Torque and Applicable Wires

When you connect wires to a Terminal Block, use the applicable wires and tightening torque given in the following table.

Model	Wiring method	Tightening torque [N·m] (Use a flat-blade screwdriver.)	Applicable wire sizes	Applicable wire sizes with ferrules attached
XW5□-S2.5	M2.5	0.4	AWG26-AWG12	AWG20-AWG14
XW5□-S4.0	M3	0.5	AWG26-AWG10	AWG20-AWG12
XW5□-S6.0	M4	1.2	AWG24-AWG8	AWG20-AWG10
XW5□-S10	M4	1.2	AWG20-AWG6	AWG20-AWG8
XW5□-S16	M5	2	AWG12-AWG4	AWG12-AWG6
XW5□-S35	M6	2.5	AWG10-AWG1/0	AWG10-AWG2
XW5□-S70	M8	3.5	AWG6-AWG2/0	AWG6-AWG2/0
XW5□-S150	M10	4	AWG2/0-350kcmil	AWG2/0-300kcmil

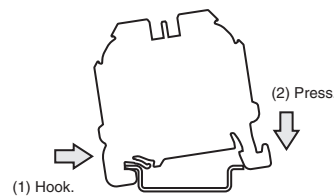
Wire Stripping Lengths

If you connect wires directly to the terminals, use the following stripping lengths.

Model	Stripping length [mm]
XW5□-S2.5	9
XW5□-S4.0	9
XW5□-S6.0	11
XW5□-S10	13
XW5□-S16	15
XW5□-S35	18
XW5□-S70	24
XW5□-S150	30

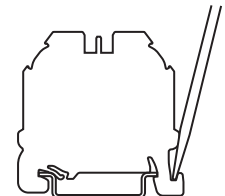
3. Mounting to and Removing from DIN Track

Mounting Procedure



- Hook the Unit on the DIN Track.
- Press the Unit onto the DIN Track to secure it.

Removal Procedure



- Insert a flat-blade screwdriver into the DIN Track lock.
- Move the screwdriver like a lever to free the lock.

Terms and Conditions Agreement

Read and understand this catalog.

Please read and understand this catalog before purchasing the products. Please consult your OMRON representative if you have any questions or comments.

Warranties.

- (a) Exclusive Warranty. Omron's exclusive warranty is that the Products will be free from defects in materials and workmanship for a period of twelve months from the date of sale by Omron (or such other period expressed in writing by Omron). Omron disclaims all other warranties, express or implied.
- (b) Limitations. OMRON MAKES NO WARRANTY OR REPRESENTATION, EXPRESS OR IMPLIED, ABOUT NON-INFRINGEMENT, MERCHANTABILITY OR FITNESS FOR A PARTICULAR PURPOSE OF THE PRODUCTS. BUYER ACKNOWLEDGES THAT IT ALONE HAS DETERMINED THAT THE PRODUCTS WILL SUITABLY MEET THE REQUIREMENTS OF THEIR INTENDED USE.

Omron further disclaims all warranties and responsibility of any type for claims or expenses based on infringement by the Products or otherwise of any intellectual property right. (c) Buyer Remedy. Omron's sole obligation hereunder shall be, at Omron's election, to (i) replace (in the form originally shipped with Buyer responsible for labor charges for removal or replacement thereof) the non-complying Product, (ii) repair the non-complying Product, or (iii) repay or credit Buyer an amount equal to the purchase price of the non-complying Product; provided that in no event shall Omron be responsible for warranty, repair, indemnity or any other claims or expenses regarding the Products unless Omron's analysis confirms that the Products were properly handled, stored, installed and maintained and not subject to contamination, abuse, misuse or inappropriate modification. Return of any Products by Buyer must be approved in writing by Omron before shipment. Omron Companies shall not be liable for the suitability or unsuitability or the results from the use of Products in combination with any electrical or electronic components, circuits, system assemblies or any other materials or substances or environments. Any advice, recommendations or information given orally or in writing, are not to be construed as an amendment or addition to the above warranty.

See <http://www.omron.com/global/> or contact your Omron representative for published information.

Limitation on Liability; Etc.

OMRON COMPANIES SHALL NOT BE LIABLE FOR SPECIAL, INDIRECT, INCIDENTAL, OR CONSEQUENTIAL DAMAGES, LOSS OF PROFITS OR PRODUCTION OR COMMERCIAL LOSS IN ANY WAY CONNECTED WITH THE PRODUCTS, WHETHER SUCH CLAIM IS BASED IN CONTRACT, WARRANTY, NEGLIGENCE OR STRICT LIABILITY.

Further, in no event shall liability of Omron Companies exceed the individual price of the Product on which liability is asserted.

Suitability of Use.

Omron Companies shall not be responsible for conformity with any standards, codes or regulations which apply to the combination of the Product in the Buyer's application or use of the Product. At Buyer's request, Omron will provide applicable third party certification documents identifying ratings and limitations of use which apply to the Product. This information by itself is not sufficient for a complete determination of the suitability of the Product in combination with the end product, machine, system, or other application or use. Buyer shall be solely responsible for determining appropriateness of the particular Product with respect to Buyer's application, product or system. Buyer shall take application responsibility in all cases.

NEVER USE THE PRODUCT FOR AN APPLICATION INVOLVING SERIOUS RISK TO LIFE OR PROPERTY OR IN LARGE QUANTITIES WITHOUT ENSURING THAT THE SYSTEM AS A WHOLE HAS BEEN DESIGNED TO ADDRESS THE RISKS, AND THAT THE OMRON PRODUCT(S) IS PROPERLY RATED AND INSTALLED FOR THE INTENDED USE WITHIN THE OVERALL EQUIPMENT OR SYSTEM.

Programmable Products.

Omron Companies shall not be responsible for the user's programming of a programmable Product, or any consequence thereof.

Performance Data.

Data presented in Omron Company websites, catalogs and other materials is provided as a guide for the user in determining suitability and does not constitute a warranty. It may represent the result of Omron's test conditions, and the user must correlate it to actual application requirements. Actual performance is subject to the Omron's Warranty and Limitations of Liability.

Change in Specifications.

Product specifications and accessories may be changed at any time based on improvements and other reasons. It is our practice to change part numbers when published ratings or features are changed, or when significant construction changes are made. However, some specifications of the Product may be changed without any notice. When in doubt, special part numbers may be assigned to fix or establish key specifications for your application. Please consult with your Omron's representative at any time to confirm actual specifications of purchased Product.

Errors and Omissions.

Information presented by Omron Companies has been checked and is believed to be accurate; however, no responsibility is assumed for clerical, typographical or proofreading errors or omissions.

OMRON Corporation Industrial Automation Company
Kyoto, JAPAN

Contact: www.ia.omron.com

Regional Headquarters

OMRON EUROPE B.V.

Wegalaan 67-69, 2132 JD Hoofddorp
The Netherlands
Tel: (31)2356-81-300/Fax: (31)2356-81-388

OMRON ELECTRONICS LLC

2895 Greenspoint Parkway, Suite 200
Hoffman Estates, IL 60169 U.S.A.
Tel: (1) 847-843-7900/Fax: (1) 847-843-7787

OMRON ASIA PACIFIC PTE. LTD.

No. 438A Alexandra Road # 05-05/08 (Lobby 2),
Alexandra Technopark,
Singapore 119967
Tel: (65) 6835-3011/Fax: (65) 6835-2711

OMRON (CHINA) CO., LTD.

Room 2211, Bank of China Tower,
200 Yin Cheng Zhong Road,
PuDong New Area, Shanghai, 200120, China
Tel: (86) 21-5037-2222/Fax: (86) 21-5037-2200

Authorized Distributor:

© OMRON Corporation 2016 All Rights Reserved.
In the interest of product improvement,
specifications are subject to change without notice.

CSM_1_1_0316
Cat. No. G125-E1-01

0316 (0316)