

## Product Change Notification


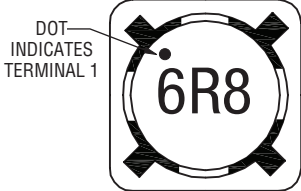
INDUCTIVE COMPONENTS



July, 2017

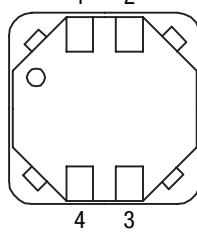
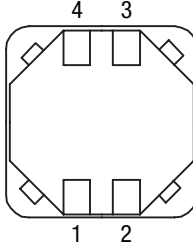
### Bourns® Model SRF0703, SRF1260 & SRF1280 Series Dual-Winding Shielded Power Inductors *Terminal 1 Identification Marker Added*

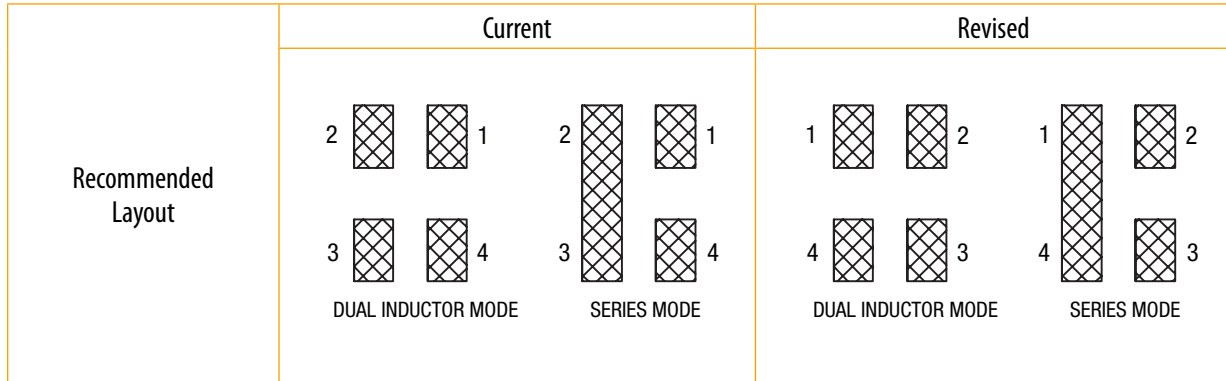
Bourns is making a change to the Model [SRF0703](#), [SRF1260](#) and [SRF1280](#) Series Dual-Winding Shielded Power Inductors to include an identification marker for Terminal 1. The new identification marker will help users identify the orientation of the component.

	Current (No Terminal Dot)	Revised (Terminal Dot Added)
Terminal 1 Identification Mark	 <p>Top View</p>	 <p>Top View</p>

On the data sheet, the terminal number assignment (shown below) will be rearranged to align with the Terminal 1 marker. These numbers are not marked on the actual part.

The mounting base mold injection mark, which appears as a cycle on the bottom view of the drawing, will be removed from data sheet.

	Current	Revised
Terminal 1 Number Assignment	 <p>Bottom View</p>	 <p>Bottom View</p>



The products' form (appearance) will change due to the addition of the terminal dot marking. There will be no change to the fit, function, quality or reliability of the product.

### Affected Part Numbers

SRF0703-100M	SRF1260-100M	SRF1280-100M
SRF0703-101M	SRF1260-101M	SRF1280-101M
SRF0703-102M	SRF1260-102M	SRF1280-102M
SRF0703-150M	SRF1260-150M	SRF1280-150M
SRF0703-151M	SRF1260-151M	SRF1280-151M
SRF0703-1R0M	SRF1260-1R0Y	SRF1280-1R0Y
SRF0703-1R5M	SRF1260-1R5Y	SRF1280-1R5Y
SRF0703-220M	SRF1260-220M	SRF1280-220M
SRF0703-221M	SRF1260-221M	SRF1280-221M
SRF0703-2R2M	SRF1260-2R2Y	SRF1280-2R2Y
SRF0703-330M	SRF1260-330M	SRF1280-330M
SRF0703-331M	SRF1260-331M	SRF1280-331M
SRF0703-3R3M	SRF1260-3R3Y	SRF1280-3R3Y
SRF0703-470M	SRF1260-470M	SRF1280-470M
SRF0703-471M	SRF1260-471M	SRF1280-471M
SRF0703-4R7M	SRF1260-4R7Y	SRF1280-4R7Y
SRF0703-680M	SRF1260-680M	SRF1280-680M
SRF0703-681M	SRF1260-681M	SRF1280-681M
SRF0703-6R8M	SRF1260-6R8Y	SRF1280-6R8Y
SRF0703-820M	SRF1260-820M	SRF1280-820M
SRF0703-821M	SRF1260-821M	SRF1280-821M
SRF0703-8R2M	SRF1260-8R2Y	SRF1280-8R2Y
SRF0703-R33M	SRF1260-R47Y	SRF1280-R47Y

Implementation dates are as follows:

*Date that manufacturing of existing products*

*without the terminal dot will cease: December 30, 2017*

*Date that deliveries of modified products will begin: December 31, 2017*

*First date code using the above changes: 1801*

If you have any questions or need additional information, please feel free to contact [Customer Service/Inside Sales](#).