

Customer Information Sheet

DRAWING No.: M300-FV1034500

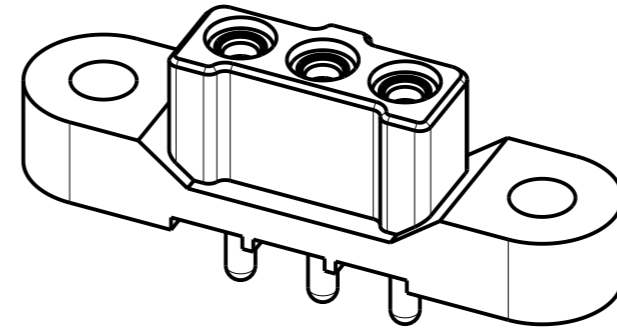
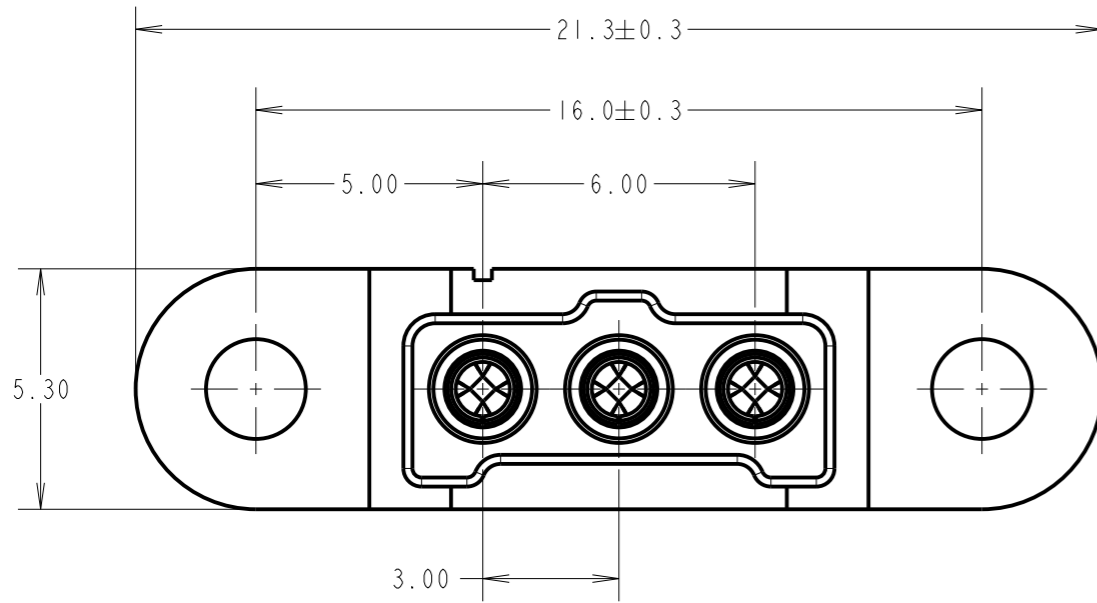
IF IN DOUBT - ASK

©

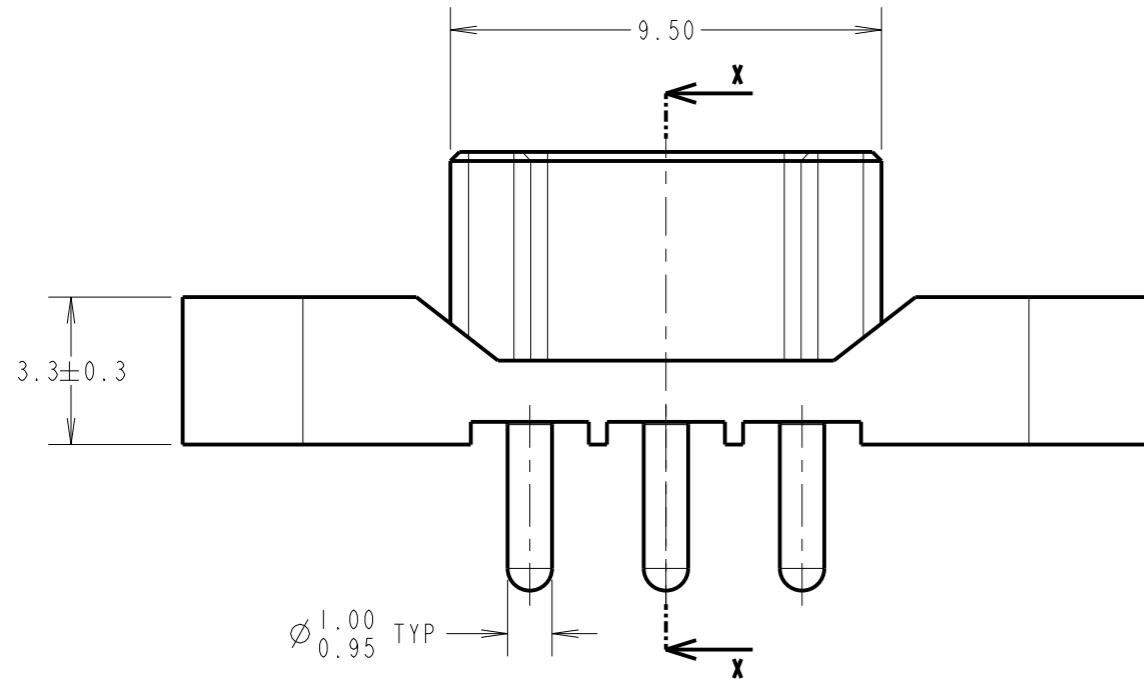
NOT TO SCALE

THIRD ANGLE PROJECTION

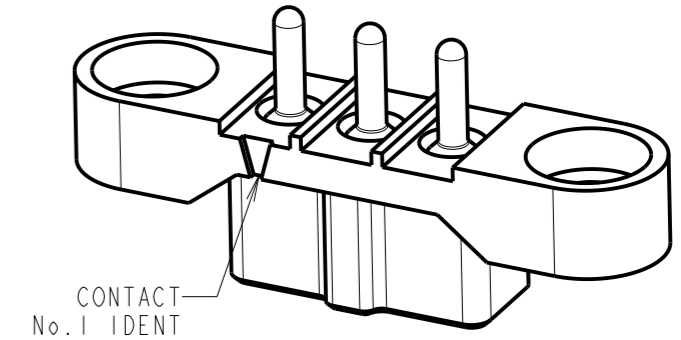
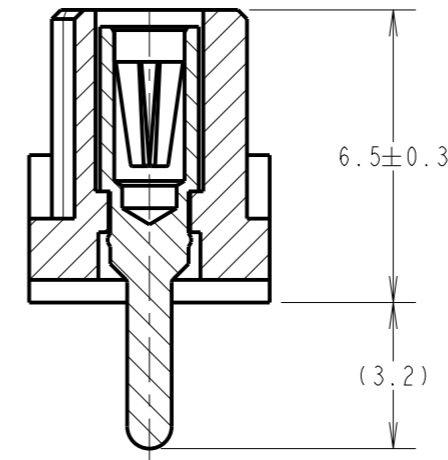
ALL DIMENSIONS IN mm



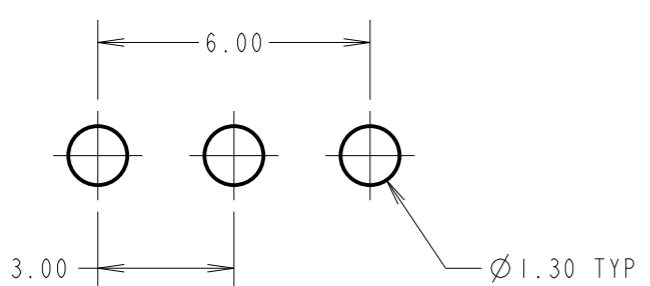
SPECIFICATIONS:
 MATERIAL:
 HOUSING = GLASS-FILLED PA46 UL94V-0, GREEN
 CONTACT CLIP = BERYLLIUM COPPER
 CONTACT SHELL = BRASS
 FINISH (ALL OVER NICKEL):
 0.10/0.17µm GOLD CLIP, 0.25/0.30µm GOLD SHELL
 PACKING:
 TUBE
 FOR COMPLETE SPECIFICATION, SEE COMPONENT SPECIFICATION C048XX (LATEST ISSUE)



SECTION X-X



RECOMMENDED PCB LAYOUT
 ALL TOLERANCES ±0.05



MGP	4	10.11.22	32021
NAME	ISS.	DATE	CN/CO
APPROVED: MGP			
CHECKED: RTP			
DRAWN: MARK G PLESTED			
CUSTOMER REF.:			
ASSEMBLY DRG:			

 www.harwin.com technical@harwin.com	THIS DRAWING AND ANY INFORMATION OR DESCRIPTIVE MATTER SET OUT HEREON ARE CONFIDENTIAL AND COPYRIGHT PROPERTY OF THE HARWIN GROUP AND MUST NOT BE DISCLOSED, LOANED, COPIED OR USED FOR MANUFACTURING, TENDERING OR FOR ANY OTHER PURPOSE WITHOUT THEIR WRITTEN PERMISSION.	TOLERANCES X. = ±1mm X.X = ±0.50mm X.XX = ±0.20mm X.XXX = ±0.01mm ANGLES = ±5° UNLESS STATED	MATERIAL: SEE ABOVE	TITLE: 1mm POWER CONNECTOR SIL VERTICAL PC TAIL FEMALE ASSEMBLY
		FINISH: SEE ABOVE S/AREA: mm ²	DRAWING NUMBER: M300-FV1034500	SHT 2 OF 2