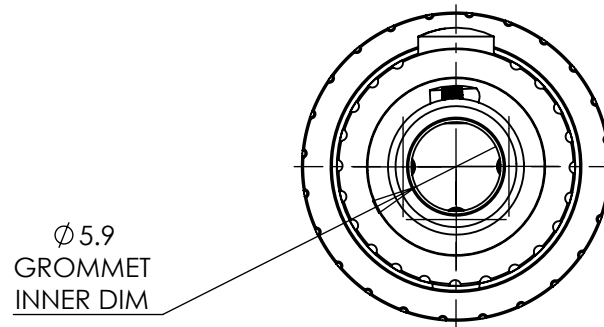
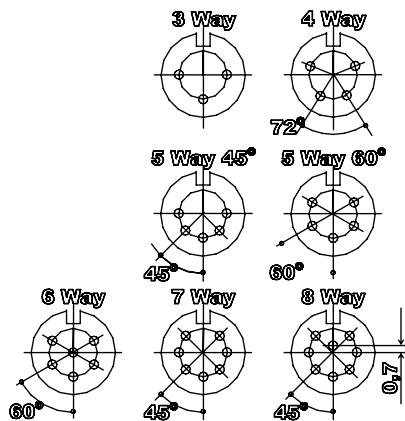
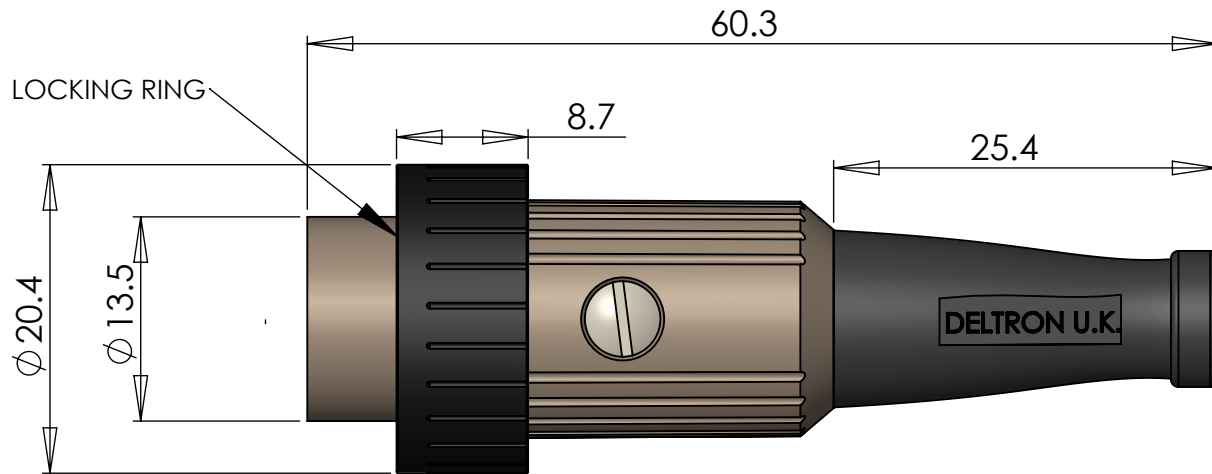
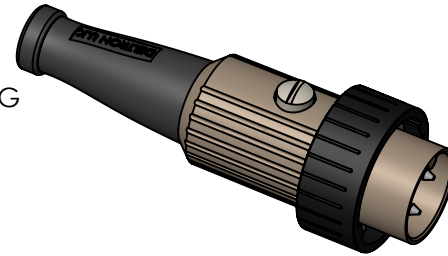


A FULLY SCREENED ROBUST RANGE OF DIN CONNECTORS FOR USE IN INSTRUMENTATION AND AUDIO APPLICATIONS.
 AVAILABLE IN BRIGHT NICKEL FINISH WITH INTERCHANGEABLE BLACK PLASTIC LOCKING RINGS. FIVE OTHER COLOURS ARE AVAILABLE THESE ARE SOLD SEPARATELY (REF 592-000* SEE CHART FOR PART NUMBERS)
 A SIMPLE HALF TURN OF THE RING SECURES THE PLUG ONTO THE MATING PANEL SOCKET (REF 593 SERIES)
 CONSTRUCTION INCORPORATES CABLE GRIP AND STRAIN RELIEF

MANUFACTURED TO DIN 41524, 45322, 45326, 45327 AND 45329

DIMENSIONS



MATERIALS	
HOUSING	MAZAK
FINISH	BRIGHT NICKEL PLATE
MOULDING	NYLON
CONTACT PIN	BRASS CZ121, SILVER PLATED
CABLE CLAMP	BRASS BS2874 CZ 121
CABLE CLAMP FINISH	SILVER PLATED & ANTI-TARNISH
GROMMET	PVC BLACK
LOCKING RING	POLYESTER BLACK
SCREW	MILD STEEL, NICKEL PLATED

MECHANICAL OPERATIONS	
REPETITIONS	10'000
RECOMMENDED TORQUE	0.5 Nm

ELECTRICAL	
RATED VOLTAGE	34 V AC OR DC
CURRENT RATING	2 Amps
TEST VOLTAGE	500 V r.m.s.

INSULATION RESISTANCE	103 MΩ MIN AT 100 V DC
CONTACT RESISTANCE	10 mΩ MAX
CAPACITANCE (MATED)	3 pF

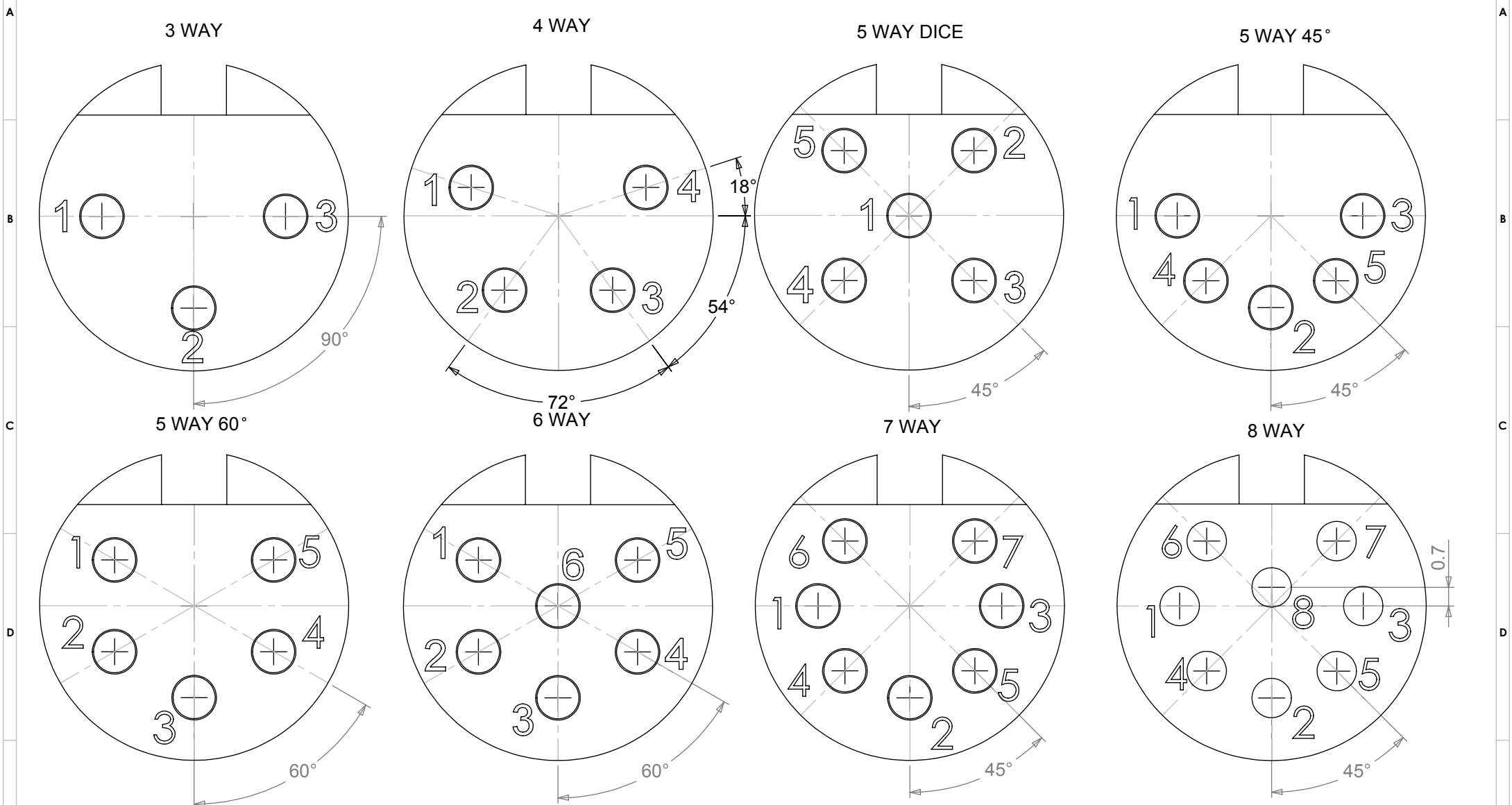
CLIMATIC	
CLIMATIC CATEGORY	25/070/21
TEMPERATURE RANGE	-25°C TO +70°C
DAMP HEAT, STEADY STATE	21 DAYS

RECOMMENDED CABLE SIZE	24-28 AWG
CONDUCTOR SIZE	∅0.75mm - MAX
PIN SOLDER BUCKET	∅1mm +0.1mm/-0.0

592 PART	
TYPE	PARTS NUMBER
3 WAY	592-0301
4 WAY	592-0401
5 WAY 45°	592-0501
5 WAY 60°	592-0511
6 WAY	592-0601
7 WAY	592-0701
8 WAY	592-0801

LOCKING RING	
COLOUR	PART NUMBER
BLUE	592-0002
GREEN	592-0004
RED	592-0005
WHITE	592-0006
YELLOW	592-0007
MIXED COLOURS (4x5)	592-0000

PIN VARIATIONS USED IN: 590 / 591 / 592 / 600 / 601 / 610 / 611 - DIN PLUG CONNECTORS



MANUFACTURED TO DIN STANDARD 41524, 45322, 45326, 45327 AND 45329

PROPRIETARY AND CONFIDENTIAL:
 THE INFORMATION CONTAINED IN THIS DRAWING IS THE SOLE PROPERTY OF ALPHA 3 MANUFACTURING. ANY REPRODUCTION IN PART OR AS A WHOLE WITHOUT THE WRITTEN PERMISSION OF ALPHA 3 MANUFACTURING IS PROHIBITED.
 DEM Manufacturing is a division of Alpha 3 Manufacturing LFD
 DEM Manufacturing, Deltron Emcon House, Hargreaves Way, Sawcliffe Ind. Park, Scunthorpe, North Lincolnshire, DN15 8RF, UK

UNLESS OTHERWISE SPECIFIED DIMENSIONS ARE IN MILLIMETRES
 LINEAR & RADIAL TOLERANCE:
NO DECIMAL PLACES
1 DECIMAL PLACE
2 DECIMAL PLACES
ANGULAR TOLERANCE:

IF IN DOUBT ASK! DO NOT SCALE DRAWING!
 FINISH: CLEAN
 MATERIAL: REFER TO INDIVIDUAL RANGES
 THE FINISHED PRODUCT SHOULD BE CLEAN AND FREE FROM ALL LIQUIDS AND DEBRIS. SURFACES SHOULD BE OF UNIFORM APPEARANCE FREE FROM SHARP EDGES, BURRS AND CORROSION

THIRD ANGLE PROJECTION

AUTHOR	DT	TITLE	PIN ORIENTATIONS	
EDITOR	DT	FILE	DIN PLUG PIN ORIENTATION	
APPROVER	AY	PART	DIN PLUG PIN BASE	
SHEET 1 OF 1	ISSUE/REV.	001	VERSION	11
SCALE 5:1	A4	RELEASED	EDIT DATE	23 Apr 2018