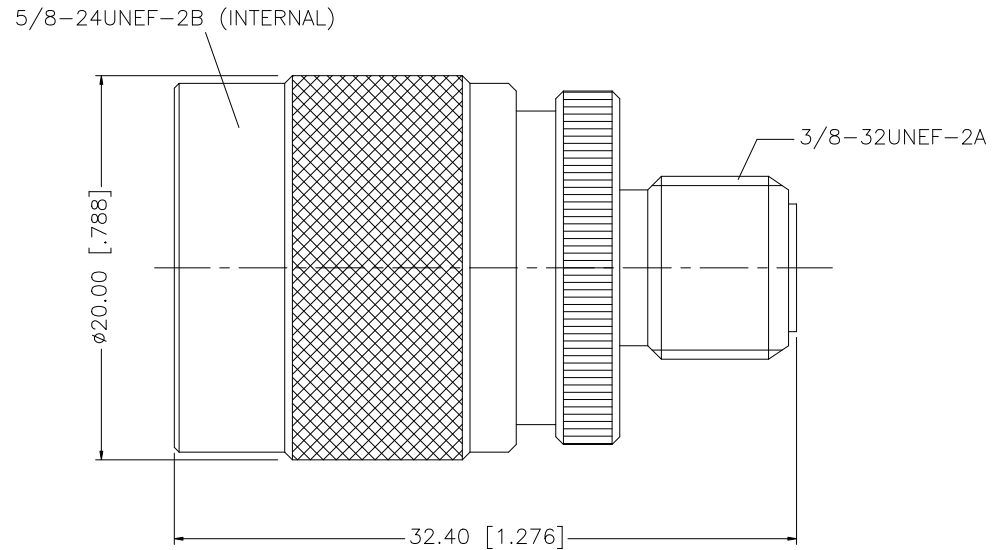


REV.	DATE	ECR NO.	DESCRIPTION
NC	03/06/00	-	INITIAL RELEASE
A	06/03/08	100024	UPDATE DRAWING FORMAT, INSULATOR REVISED TO PTFE



DESCRIPTION	MATERIAL	FINISH	QTY	UNLESS OTHERWISE SPECIFIED DIMENSIONS ARE IN MILLIMETERS. DIMENSIONS IN [] ARE IN INCHES AND FOR CUSTOMER REFERENCE ONLY.	APPROVALS	DATE	Amphenol Connex					
				UNLESS OTHERWISE SPECIFIED TOLERANCES FOR MILLIMETERS ARE: 0.5 - 8mm ± 0.20mm 8 - 30mm ± 0.40mm 30 - 120mm ± 0.50mm	DRAWN GRS	06/03/08	PART DESCRIPTION					
8				UNLESS OTHERWISE SPECIFIED TOLERANCES FOR INCHES ARE: .020 - .315 = ± 0.007" .315 - 1.180 = ± 0.015" 1.180 - 4.724 = ± 0.020"	CHECKED		N MALE TO F FEMALE W/WATERPROOF ADAPTER					
7					ISSUED		PART NO.					
6	GASKET	SILICONE	RED		SHEET 1 OF 1		242156					
5	CONTACT PIN	BER. COPPER	GOLD		CAD FILE		DWG. NO.		242156.DWG	REV. A	SIZE A	SCALE NA
4	INSULATOR	PTFE	NATURAL		C:/242/242156.DWG							
3	BODY	BRASS	NICKEL									
2												
1												
				DO NOT SCALE DRAWING								