

- Snap-in locking system
- 3 – 12 contacts
- Degree of protection IP67
- Solder termination
- Moulded versions
- Diameter 16 mm
- Coloured versions

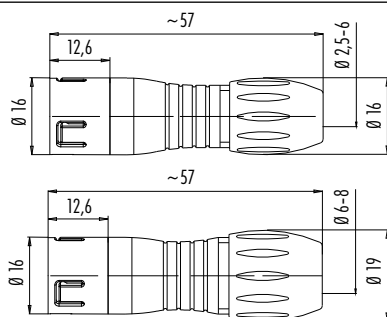


Description

Male cable connector



Drawing



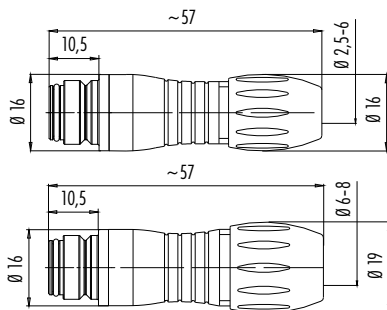
Contacts	Cable-Ø 2,5–4 mm	Cable-Ø 4–6 mm	Cable-Ø 6–8 mm
3	99 9105 03 03	99 9105 00 03	99 9105 02 03
5	99 9113 03 05	99 9113 00 05	99 9113 02 05
8	99 9125 03 08	99 9125 00 08	99 9125 02 08
12	99 9133 03 12	99 9133 00 12	99 9133 02 12

Cable outlet	Red	Blue	Green
3	99 9105 50 03	99 9105 60 03	99 9105 70 03
5	4–6 mm	99 9113 50 05	99 9113 60 05
8		99 9125 50 08	99 9125 60 08
12	6–8 mm	99 9133 52 12	99 9133 62 12

Male cable connector, red, blue, green



Female cable connector



Contacts	Cable-Ø 2,5–4 mm	Cable-Ø 4–6 mm	Cable-Ø 6–8 mm
3	99 9106 03 03	99 9106 00 03	99 9106 02 03
5	99 9114 03 05	99 9114 00 05	99 9114 02 05
8	99 9126 03 08	99 9126 00 08	99 9126 02 08
12	99 9134 03 12	99 9134 00 12	99 9134 02 12

Cable outlet	Red	Blue	Green
3	99 9106 50 03	99 9106 60 03	99 9106 70 03
5	4–6 mm	99 9114 50 05	99 9114 60 05
8		99 9126 50 08	99 9126 60 08
12	6–8 mm	99 9134 52 12	99 9134 62 12

Female cable connector, red, blue, green



Specifications

Contacts	3	5	8	12
Wire gauge	max. 0,75 mm ² (max. AWG 20)		max. 0,25 mm ² (max. AWG 24)	
Mechanical operation	> 500 Mating cycles			
Temperature range	– 25 °C / + 85 °C			
Rated voltage	250 V	125 V		60 V
Pollution degree	2			
Rated current (40°C)	7 A	5 A	2 A	
Contact plating	Au (Gold)			
Material of housing	PA			