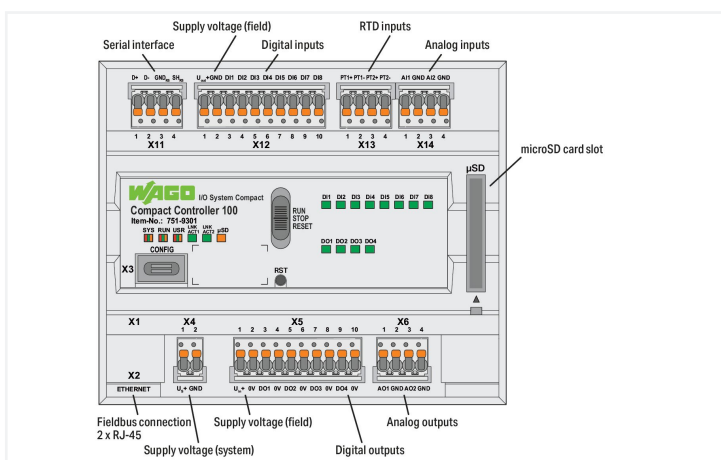
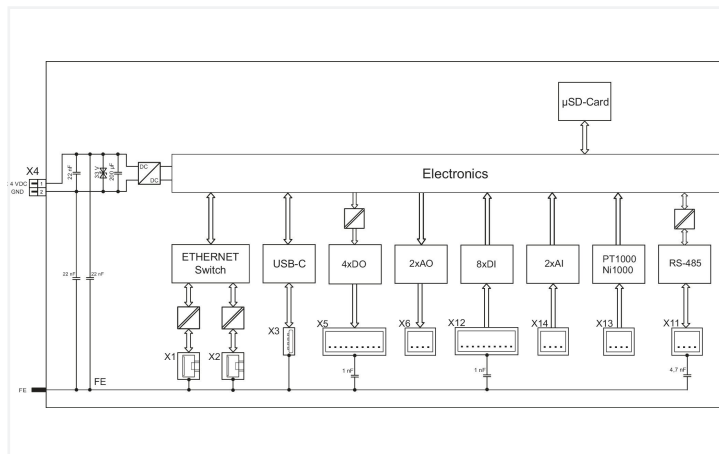


<https://www.wago.com/751-9301>



Technical data

Communication

Modbus (TCP, UDP)
 EtherCAT® Master
 EtherNet/IP™ Adapter (slave)
 EtherNet/IP™ Scanner
 Modbus® RTU
 RS-485 interface
 MQTT
 Telecontrol protocols (requires an additional license on the device)

ETHERNET protocols

DHCP
 DNS
 NTP
 FTP
 FTPS
 SNMP
 HTTP
 HTTPS
 SSH

Visualization

Web-Visu

Operating system

Real-time Linux (with RT-Preempt patch)

CPU

Cortex A7; 650 MHz

Programming languages per IEC 61131-3

Instruction List (IL)
 Ladder Diagram (LD)
 Function Block Diagram (FBD)
 Continuous Function Chart (CFC)
 Structured Text (ST)
 Sequential Function Chart (SFC)

Programming environment

CODESYS V3.5
 Node RED

Technical data

Configuration options	CODESYS V3.5 ETHERNET Settings Web-Based Management WAGOupload WAGO Solution Builder
Baud rate (communication/fieldbus 1)	10/100 Mbit/s
Baud rate	ETHERNET: 10/100 Mbit/s
Transmission medium (communication/fieldbus)	ETHERNET: Twisted pair S-UTP; 100 Ω; Cat. 5; 100 m maximum cable length
Main memory (RAM)	512 MB
Internal memory (flash)	4096 MB
Non-volatile hardware memory	128 KB
Program memory	32 MB
Data memory	128 MB
Non-volatile software memory	128 KB
Type of memory card	microSD up to 32 GB (all guaranteed properties only valid with WAGO's memory card)
Memory card slot	Push-push mechanism
Indicators	LED (SYS, RUN), red/green: Status of system; LED (USR) red/green: User programmable status (can be used via CODESYS library); LED (SD) orange: Status of μSD; LED (LNK/ACT) green: Network connection via ports 1 ... 2; LED (DI1 ... 8) green: Status of inputs; LED (DO1 ... 4) green: Status of outputs
Controls	Operating mode switch (RUN, STOP, RESET); reset button
Supply voltage (system)	24 VDC (-15 ... +20 %); via pluggable connector (<i>picoMAX</i> ® 3.5; Push-in CAGE CLAMP® connection)
Current consumption (system) max.	500 mA
Supply voltage (field)	24 VDC (-15 ... +20 %); via pluggable connector (<i>picoMAX</i> ® 3.5; Push-in CAGE CLAMP® connection)
Current consumption (field) max.	2000 mA
Isolation	1250 V (DC 1 min., between system and field level)
Number of digital inputs	8
Input characteristic	Type 3 (per EN 61131-2)
Number of digital outputs	4
Output current (per channel)	500 mA (DC)
Output current	short-circuit-protected
Signal type	Voltage Resistance measurement
Signal type (voltage)	0 ... 10 VDC
Number of analog inputs	2
Resolution of analog inputs	16 bits
Number of analog outputs	2
Resolution of analog outputs	12 bits
Load impedance (voltage output)	≥ 5 kΩ
Number of measurement inputs	2
Temperature range	-60 °C ... 350 °C, PT1000, Ni1000

Connection data

Connection technology: communication/fieldbus	Modbus (TCP, UDP): 2 x RJ-45; RS-485 interface: 1 x Female connector, 4-pole; Push-in CAGE CLAMP®
Connection technology: system supply	1 x Female connector, 2-pole; Push-in CAGE CLAMP®
Connection technology: field supply	2 x Female connector, 10-pole; Push-in CAGE CLAMP®
Solid conductor	0.2 ... 1.5 mm ² / 24 ... 14 AWG
Fine-stranded conductor	0.2 ... 1.5 mm ² / 24 ... 14 AWG
Strip length	8 ... 9 mm / 0.31 ... 0.35 inches

Physical data

Width	108 mm / 4.252 inches
Height	90 mm / 3.543 inches
Depth from upper-edge of DIN-rail	55 mm / 2.165 inches

Mechanical Data

Weight	348 g
Housing material	Polycarbonate, polyamid
Conformity marking	CE; UKCA

Environmental requirements

Ambient temperature (operation)	-25 ... +60 °C
Surrounding air temperature (storage)	-40 ... +85 °C
Protection type	IP20
Pollution degree (5)	2 per IEC 61131-2
Operating altitude	0 ... 2000 m / 0 ... 6562 ft
Relative humidity (without condensation)	95 %
Mounting position	any
Mounting type	DIN-35 rail
Vibration resistance	1g per IEC 60068-2-6
Shock resistance	15g per IEC 60068-2-27
EMC immunity to interference	per EN 61000-6-2
EMC emission of interference	per EN 61000-6-3
Fire load	0 MJ

Commercial data

ETIM 8.0	EC000236
ETIM 7.0	EC000236
PU (SPU)	1 pcs
Country of origin	DE
GTIN	4066966192865
Customs tariff number	85371091990

Approvals / Certificates

General approvals



Approval	Standard	Certificate Name
KC National Radio Research Agency	Article 58-2, Clause 3	R-R-W43-CC751
UL Underwriters Laboratories Inc. (ORDINARY LOCATI- ONS)	UL 61010-2-201	E175199

Downloads

Environmental Product Compliance

Compliance Search

Environmental Product Compliance 751-9301



Documentation

Manual

Product Manual Compact Controller 100	V 1.3.0 02.12.2022	pdf 2056.42 KB	
---------------------------------------	-----------------------	-------------------	--

Bid Text

751-9301	xml 8.82 KB	
----------	----------------	--

751-9301	docx 29.96 KB	
----------	------------------	--

CAD/CAE-Data

CAD data

2D/3D Models
751-9301

Engineering-Software

Configuration and Commissioning Software

WAGOupload	1.16.0.0 02.02.2022	zip 11121.72 KB	
------------	------------------------	--------------------	--

Runtime Software

Firmware

0751-9301, Compact Controller 100	V 23 30.11.2022	zip 97394.03 KB	
-----------------------------------	--------------------	--------------------	--

751-9301; Compact Controller 100	V 23 30.11.2022	zip 96534.07 KB	
----------------------------------	--------------------	--------------------	--

1 Compatible Products

1.1 Optional Accessories

1.1.1 Female connector

1.1.1.1 Female connector/socket



Item No.: 2091-1130

1-conductor female connector; push-button; Push-in CAGE CLAMP®; 1.5 mm²; Pin spacing 3.5 mm; 10-pole; 1,50 mm²; light gray



Item No.: 2091-1110/002-000

1-conductor female connector; push-button; Push-in CAGE CLAMP®; 1.5 mm²; Pin spacing 3.5 mm; 10-pole; Gripping plate sliding connector release; 1,50 mm²; light gray



Item No.: 2091-1110

1-conductor female connector; push-button; Push-in CAGE CLAMP®; 1.5 mm²; Pin spacing 3.5 mm; 10-pole; Gripping plate; 1,50 mm²; light gray



Item No.: 2091-1122

1-conductor female connector; push-button; Push-in CAGE CLAMP®; 1.5 mm²; Pin spacing 3.5 mm; 2-pole; 1,50 mm²; light gray



Item No.: 2091-1102/002-000

1-conductor female connector; push-button; Push-in CAGE CLAMP®; 1.5 mm²; Pin spacing 3.5 mm; 2-pole; Gripping plate sliding connector release; 1,50 mm²; light gray



Item No.: 2091-1102

1-conductor female connector; push-button; Push-in CAGE CLAMP®; 1.5 mm²; Pin spacing 3.5 mm; 2-pole; Gripping plate; 1,50 mm²; light gray



Item No.: 2091-1124

1-conductor female connector; push-button; Push-in CAGE CLAMP®; 1.5 mm²; Pin spacing 3.5 mm; 4-pole; 1,50 mm²; light gray



Item No.: 2091-1104/002-000

1-conductor female connector; push-button; Push-in CAGE CLAMP®; 1.5 mm²; Pin spacing 3.5 mm; 4-pole; Gripping plate sliding connector release; 1,50 mm²; light gray



Item No.: 2091-1104

1-conductor female connector; push-button; Push-in CAGE CLAMP®; 1.5 mm²; Pin spacing 3.5 mm; 4-pole; Gripping plate; 1,50 mm²; light gray

1.1.2 Memory card

1.1.2.1 Memory card



Item No.: 758-879/000-3102

Memory Card SD Micro; 2 GByte



Item No.: 758-879/000-3108

Memory Card SD Micro; pSLC-NAND; 8 GB; Temperature range: -40 to 90°C

1.1.3 Tool

1.1.3.1 Operating tool



Item No.: 2092-1630

Unlocking tool; orange