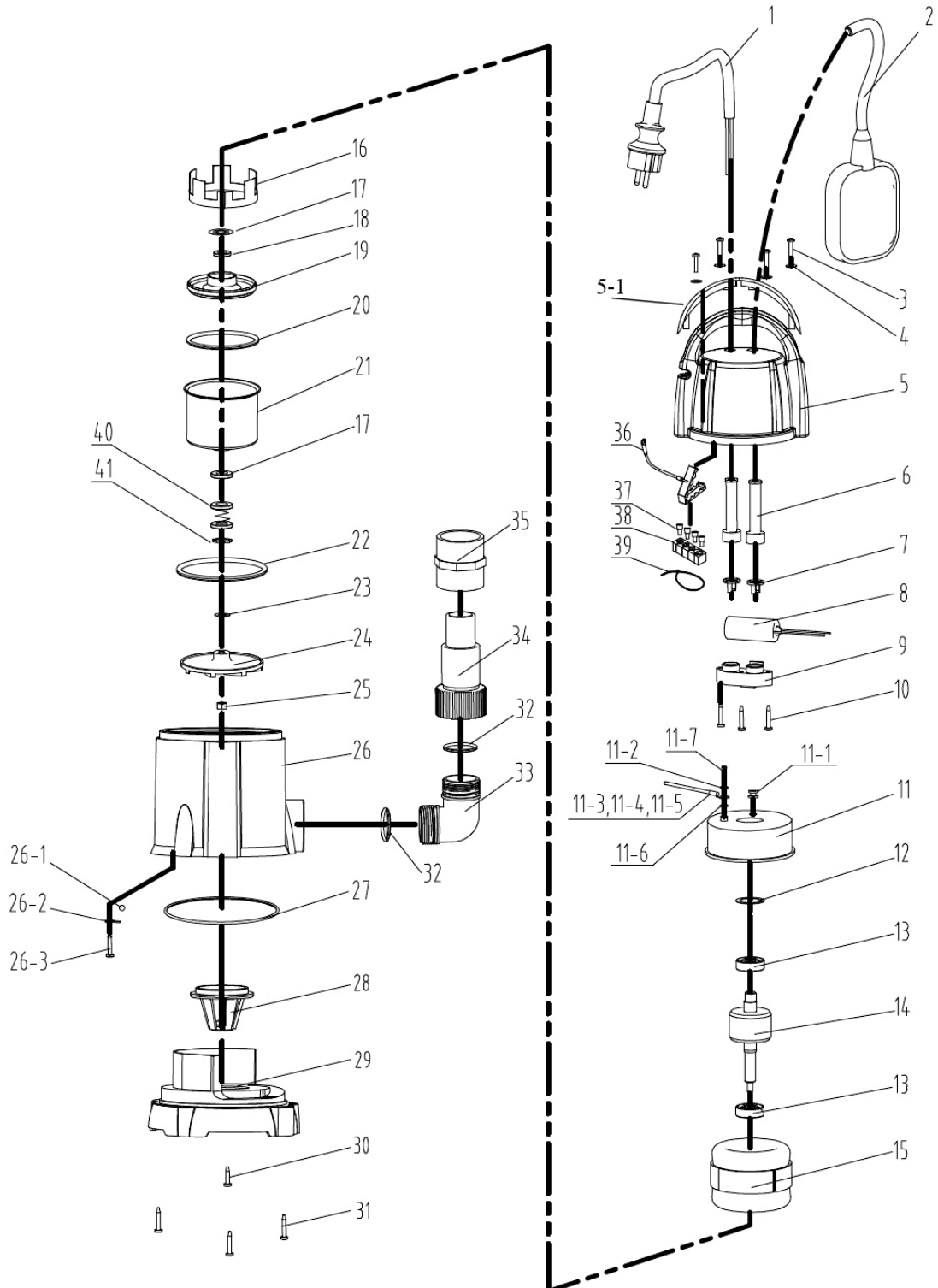




Parts Information:
Submersible Water Pump Automatic Low
Level 2mm 117ltr/min 230V
Model No: WPL117A



NOTE: It is our policy to continually improve products and as such we reserve the right to alter data, specifications and component parts without prior notice.

IMPORTANT: No liability is accepted for incorrect use of product.

WARRANTY: Guarantee is 12 months from purchase date, proof of which will be required for any claim.

Sealey Group, Kempson Way, Suffolk Business Park, Bury St Edmunds, Suffolk. IP32 7AR



01284 757500



01284 703534



sales@sealey.co.uk



www.sealey.co.uk



Parts Information:
**Submersible Water Pump Automatic Low
Level 2mm 117ltr/min 230V
Model No: WPL117A**

| Item | Part No. | Description |
|------|------------|---------------------|
| 1 | WP08701001 | POWER CABLE |
| 2 | WP01401001 | FLOAT SWITCH |
| 3 | WP07802005 | SELF-TAPPING SCREW |
| 4 | WP03802031 | WASHER |
| 5 | WP00303025 | PUMP CASING (REAR) |
| 5.1 | WP00102004 | HANDLE COVER |
| 6 | WP05201036 | CABLE SHEATH |
| 7 | WP05602008 | CABLE BUCKLE |
| 8 | WP08401001 | 16UF CAPACITOR |
| 9 | WP05501001 | CABLE GRIP |
| 10 | WP07802018 | SELF-TAPPING SCREW |
| 11 | WP02602004 | ALUMINUM REAR COVER |
| 11.1 | WP05202003 | WIRE SHEATH |
| 11.2 | WP934A | WASHER |
| 11.3 | WP08601010 | WIRE (GREEN/YELLOW) |
| 11.4 | WP04102006 | PLATE |
| 11.5 | WP08301001 | HEAT SHRINK TUBE |
| 11.6 | WP86224 | WASHER |
| 11.7 | WP818 | SCREW M4X8 |
| 12 | WP03801001 | WAVE WASHER |
| 13 | B/6201ZZ | BEARING 6201ZZ |
| 14 | WP02301199 | ROTOR |
| 15 | WP02202076 | STATOR |
| 16 | WP02005012 | BUSHING RING |
| 17 | WP03802023 | WASHER |
| 18 | WP05102002 | SEALING RING |

| Item | Part No. | Description |
|------|------------|-----------------------------------|
| 19 | WP04204001 | ALUMINUM BUSHING |
| 20 | WP05101052 | O-RING |
| 21 | WP02501051 | FRONT COVER |
| 22 | WP05101010 | O-RING |
| 23 | WP03802006 | ADJUSTING GASKET |
| 24 | WP00904004 | IMPELLER |
| 25 | SN8.S | STEEL NUT M8 ZINC DIN934 (SINGLE) |
| 26 | WP02901032 | MAIN PUMP CASING |
| 26.1 | WP3086 | STEEL BALL |
| 26.2 | WP03804004 | WASHER |
| 26.3 | WP845F | SELF TAPPING SCREW ST2.9x8.5 |
| 27 | WP05101015 | O-RING |
| 28 | WP01901003 | SEAL BUSHING |
| 29 | WP00601053 | BASE |
| 30 | SM1302.74 | SCREW (ST4.2x13) |
| 31 | WP07802007 | SELF TAPPING SCREW |
| 32 | WP05101006 | O-RING |
| 33 | WP02803001 | ELBOW |
| 34 | WP02703001 | OUTPUT CONNECTOR |
| 35 | WP03003001 | JOINT |
| 36 | WP04105006 | GROUND COVER |
| 37 | WP04101003 | NYLON SAFETY PRESS LINE CAP |
| 38 | WP03203012 | RUBBER CLIP |
| 39 | WP08501001 | CABLE TIE |
| 40 | WP06101007 | MECHANICAL SEAL |
| 41 | WP894112 | CHECKED RING |

NOTE: It is our policy to continually improve products and as such we reserve the right to alter data, specifications and component parts without prior notice.

IMPORTANT: No liability is accepted for incorrect use of product.

WARRANTY: Guarantee is 12 months from purchase date, proof of which will be required for any claim.

Sealey Group, Kempson Way, Suffolk Business Park, Bury St Edmunds, Suffolk. IP32 7AR



01284 757500



01284 703534



sales@sealey.co.uk



www.sealey.co.uk