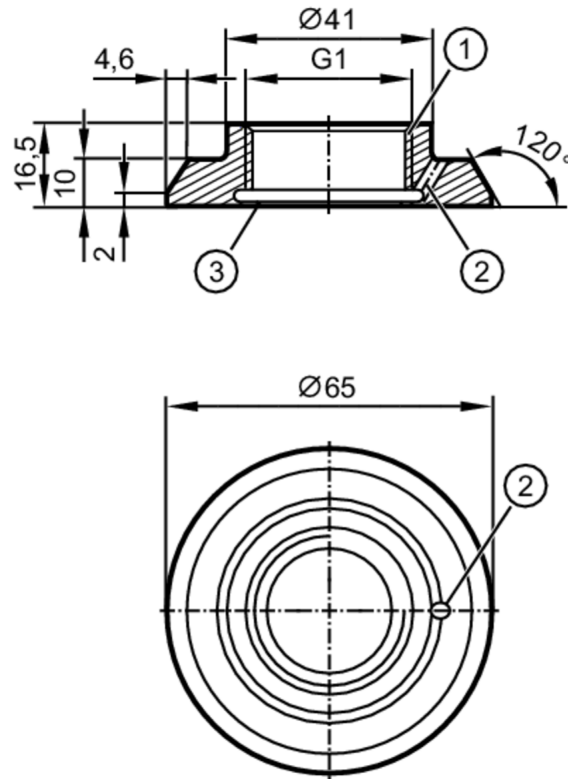


# E30157



## Welding adapter

WELDING ADAPT D65/G1



- 1 Aseptoflex Vario
- 2 Leakage port
- 3 sealing edge



EC 1935/2004 EHEDG Certified



Application	
Design	with leakage port
Pressure rating [bar]	25
Note on pressure rating	for the connection sensor - adapter
Mechanical data	
Weight [g]	239
Materials	stainless steel (1.4435 / 316L)
Sensor connection	G 1 external thread Aseptoflex Vario
Process connection	welding adapter D65
Surface characteristics Ra/Rz of the wetted parts	0.4 / 4
Sealing	Gasket
Accessories	
Accessories (supplied)	O-ring: 1 x 24 x 2 (EPDM), FDA compliant , E30054
Accessories (optional)	O-ring: 1 x 24 x 2 (FKM), FDA compliant , E30123
Remarks	
Pack quantity	1 pcs.