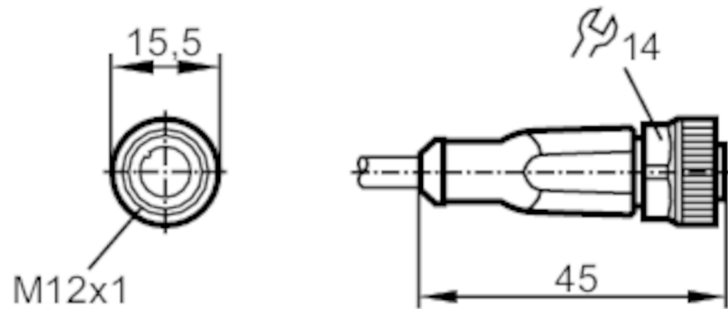




Connecting cable with socket

ADOGH040ZDB0005E04



Application

Special feature	Free from silicone; Gold-plated contacts; Drag chain suitability
Free from silicone	yes

Electrical data

Operating voltage [V]	< 250 AC / < 300 DC
Protection class	II
Max. current load total [A]	4

Operating conditions

Ambient temperature [°C]	-25...70
Ambient temperature (moving) [°C]	5...70
Protection	IP 65; IP 67

Mechanical data

Weight [g]	179.4	
Dimensions [mm]	15.5 x 15.5 x 45	
Materials	housing: TPU orange; Sealing: FKM	
Material nut	brass, nickel-plated	
Drag chain suitability	yes	
Drag chain suitability	bending radius for flexible use	min. 10 x cable diameter
	travel speed	max. 3.3 m/s for a horizontal travel length of 5 m and max. acceleration of 5 m/s ²
	bending cycles	1 Mio.
	torsional strain	± 180 °/m

EVS022



Connecting cable with socket

ADOGH040ZDB0005E04

Remarks

Pack quantity

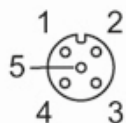
1 pcs.

Electrical connection

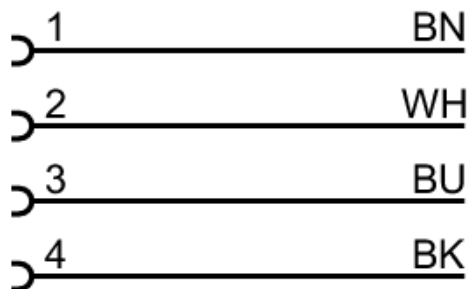
Cable: 5 m, PVC, black, Ø 4.5 mm; 4 x 0.25 mm² (14 x Ø 0.15 mm)

Electrical connection - socket

Connector: 1 x M12, straight; Locking: brass, nickel-plated; Contacts: gold-plated; Tightening torque: 0.6...1.5 Nm



Connection



Core colours :

BK = black
BN = brown
BU = blue
WH = white