

M8 male 0° with cable

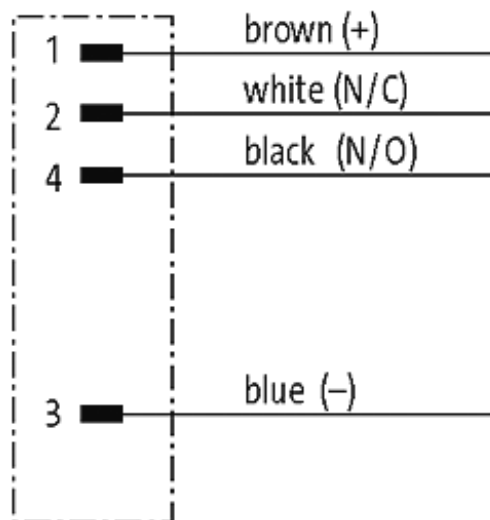
PUR 4x0.25 ye UL/CSA+robot+drag chain 3m

M8

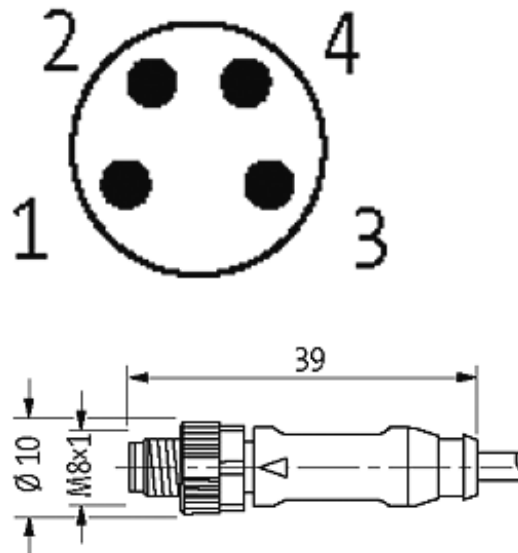
Male straight

4-pole

Plastic housings with good resistance against chemicals and oils. The resistance to aggressive media should be individually tested for your application. Further details on request. Further cable lengths on request.

[Link to Product](#)**Illustration**

Male



Product may differ from Image

Approvals



* only for products with UL/CSA approved cable

Form

08011

Technical Data

| | |
|-------------------------------|--|
| Operating voltage | max. 30 V AC/DC |
| Operating current per contact | max. 4 A |
| Locking of ports | Screw thread M8 × 1 mm (recommended torque 0.4 Nm) self-securing |
| Protection | IP67 inserted and tightened (EN 60529) |

Cables

| | |
|-----------------------|--------------------------|
| Cable number | 051 |
| No./diameter of wires | 4 × 0.25 mm ² |
| Wire isolation | PP (br, wh, bl, bk) |
| C-track properties | 10 Mio. |
| Torsion | 1 Mio. ± 360°/m |
| Jacket Color | yellow |

The information in this brochure has been compiled with the utmost care.

Liability for the correctness completeness and topicality of the information is restricted to gross negligence. Version: 05/15

| | |
|-----------------------------|----------------------------------|
| Shore hardness outer jacket | 58 ± 3D |
| Material (jacket) | PUR (UL/CSA), welding spark res. |
| Outer diameter | approx. 4.7 mm |
| Bend radius (fixed) | 5 × outer Ø |
| Bend radius (moving) | 10 × outer Ø |
| Temperature range (fixed) | -40...+90 °C |
| Temperature range (mobile) | -25...+90 °C |

General data

Temperature range -25...+85 °C, depending on cable quality

Commercial data

| | |
|------------------------|----------|
| country of origin | DE |
| customs tariff number | 85444290 |
| minimum order quantity | 1 |