

**M12 MALE,90° SHIELDED, D-COD, ETHERNET**

PUR 2x2xAWG22 shielded green UL,CSA+dragchain 15m

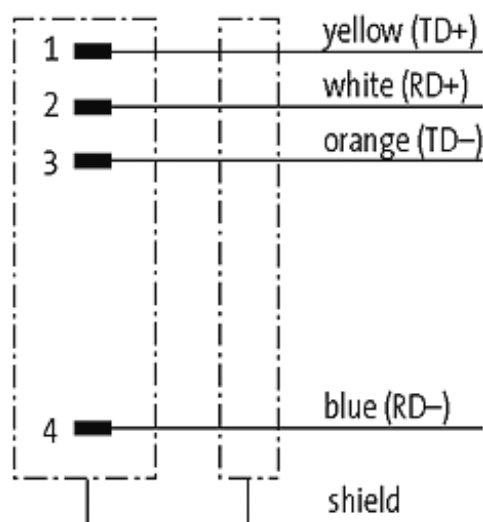
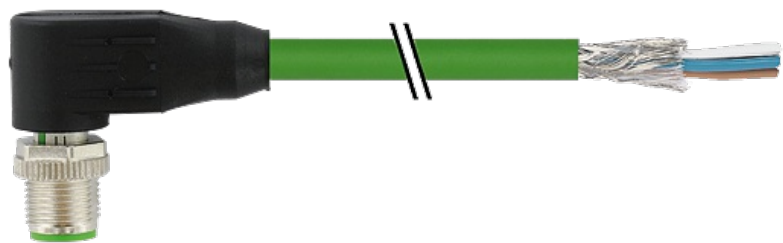
M12

Male 90°

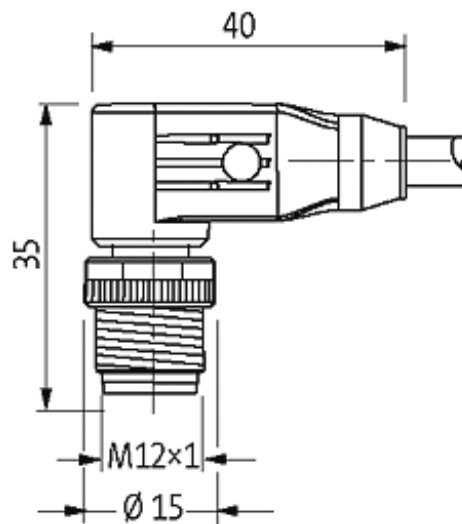
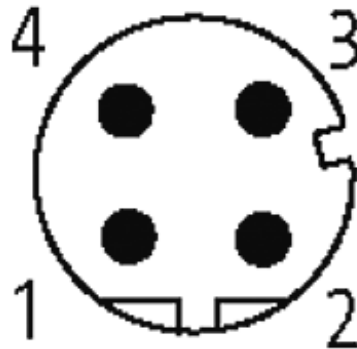
Ethernet CAT 5e, D-coded

4-pole, shielded

Further cable lengths on request. Plastic housings with good resistance against chemicals and oils. The resistance to aggressive media should be individually tested for your application. Further details on request.

[Link to Product](#)**Illustration**

# Male



Product may differ from Image

## Approvals



## More Info





## Form

14561

## Technical Data

|                               |          |
|-------------------------------|----------|
| Operating voltage             | 60 V DC  |
| Operating current per contact | max. 4 A |

The information in this brochure has been compiled with the utmost care.

Liability for the correctness completeness and topicality of the information is restricted to gross negligence. Version: 05/15

Murrelektronik GmbH | Falkenstraße 3, 71570 Oppenweiler | Fon +49 (71 91) 47-0, Fax +49 (71 91) 47-491000 | shop@murrelektronik.de | shop.murrelektronik.de

|                  |   |
|------------------|---|
| Locking of ports | Screw thread M12 × 1 mm (recommended torque 0.6 Nm) self-securing |
| Protection       | IP67 inserted and tightened (EN 60529)                            |

### Cables

|                             |                     |
|-----------------------------|---------------------|
| Cable number                | 796                 |
| No./diameter of wires       | 2 × 2 × AWG22       |
| Wire isolation              | PE (wh, ye, bl, or) |
| C-track properties          | 2 Mio.              |
| Jacket Color                | green               |
| Shore hardness outer jacket | 90 ± 5A             |
| Material (jacket)           | PUR (UL/CSA)        |
| Outer diameter              | approx. 6.7 mm      |
| Bend radius (fixed)         | 5 × outer Ø         |
| Bend radius (moving)        | 15 × outer Ø        |
| Temperature range (fixed)   | -40...+80 °C        |
| Temperature range (mobile)  | -20...+60 °C        |
| Shielded                    | yes                 |

### Commercial data

|                        |          |
|------------------------|----------|
| country of origin      | DE       |
| customs tariff number  | 85444290 |
| minimum order quantity | 1        |