

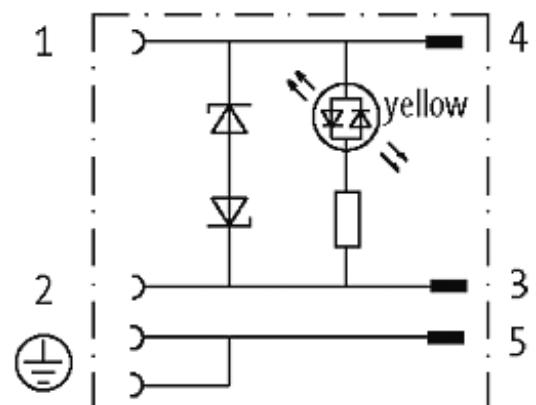
M12 ADAPTOR ON TOP / MSUD VALVE PLUG FORM CI 9.4 MM

Form CI (9.4 mm) – M12, connector top entry
LED and suppression
3-pole

Plastic housings with good resistance against chemicals and oils. The resistance to aggressive media should be individually tested for your application. Further details on request.

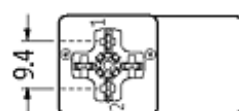
[Link to Product](#)

Illustration

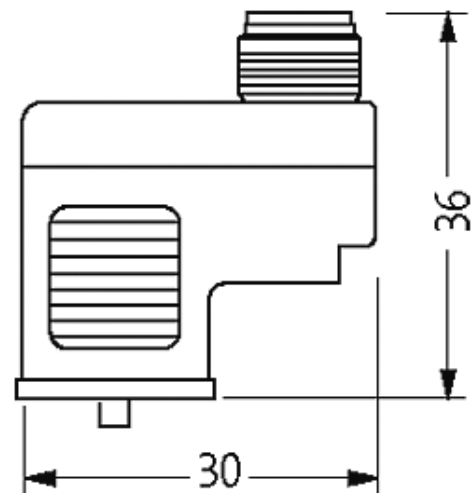


Female

Male



stay connected



Depth: 15 mm

Product may differ from Image

Approvals



Form

42851

Technical Data

Operating voltage	24 V AC $\pm 20\%$ / DC $\pm 25\%$
Operating current per contact	max. 4 A
Current consumption	max. 15 mA
Configuration	2 contacts + bridged PE
Switch off peak	max. 55 V
Locking of ports	M3/M12 \times 1 mm (recommended torque 0.4/0.6 Nm)
Protection	IP67 inserted and tightened (EN 60529)

General data

Temperature range	-25...+85 °C
-------------------	--------------

Commercial data

country of origin	CZ
customs tariff number	85369010
minimum order quantity	1