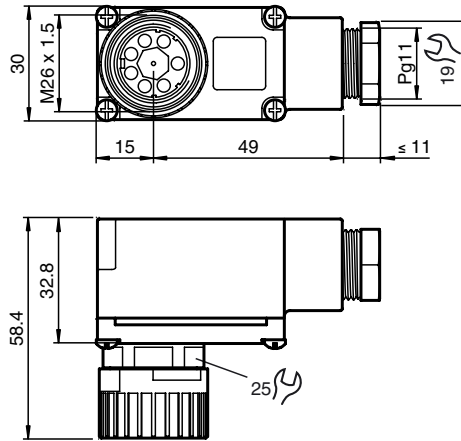




Dimensions



Model Number

V7-W

Cable socket, 6-pin+PE, ready for assembly

Features

- Transparent hood

Technical data

General specifications

Number of poles	6 + PE
Connection 1	Connector, female
Construction type 1	angled
Colour	grey

Electrical specifications

Operating voltage	U_B	max. 253 V AC/DC
Operating current		max. 10 A
Volume resistance		< 5 mΩ

Ambient conditions

Ambient temperature	-40 ... 90 °C (233 ... 363 K)
	Note derating

Mechanical specifications

Contact elements	spring-loaded contact socket
Protection degree	IP65
Connection	screw terminals 0,5 ... 1.5 mm ² PG11 screwed gland

Material	
Contacts	CuZn
Contact surface	Ag
Housing	PA 6 GF30 cover PA T
Handle	PET
Slotted nut	PA 66
Seal	NBR
Fixing screw	PA 6 GF

Cable	
Sheath diameter	7 mm ... 9 mm
Flammability	
	Enclosure: UL 94 HB contact holder: UL 94 V-0 cover: UL 94 HB pressure screw: UL 94 HB union nut UL 94 V-2

Compliance with standards and directives

Standard conformity	
Insulation coordination	DIN EN 60664-1
Protection degree	IEC 60529
Standards	Design standard DIN EN 175201-804

Electrical connection

