

## Microphone

### Electret Condenser Microphone

analogy-Omnidirectional

KECG2742PBL

#### Shape

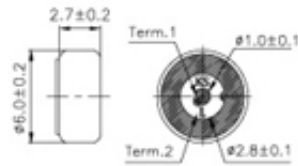
### KECG2742PBL



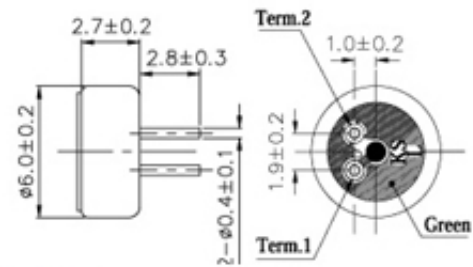
Sensitivity(dB)	-42±3dB
Operating Voltage (V.D.C.)	2
Impedance (Ω)	2.2K
Rated Voltage (V.D.C.)	10
Sensitivity Reduction(Hz)	-3dB@f=1KHz,1Pa,Vs=2.0V.D.C. to 1.5V.D.C.
Frequency Range(Hz)	20 ~ 20,000
Max. Current Consumption (mA)	0.5@Vs=2.0V.D.C. RL=2.2KΩ
S/N Ratio(dBA)	58

#### Dimension

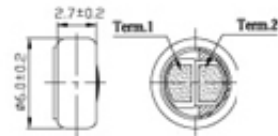
**CONTACT TYPE**



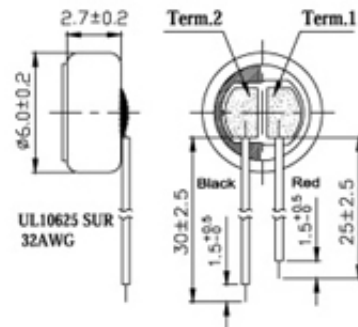
**PIN TYPE**



**TERMINAL TYPE**

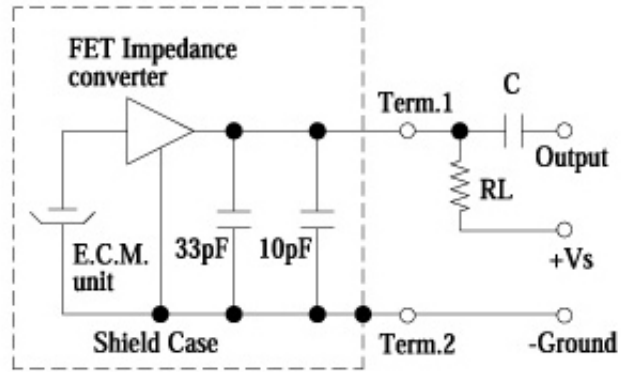


**WIRE TYPE**



Tol : ±0.5 Unit : mm

**Characteristic / Schematic Diagram**



TOP ▲