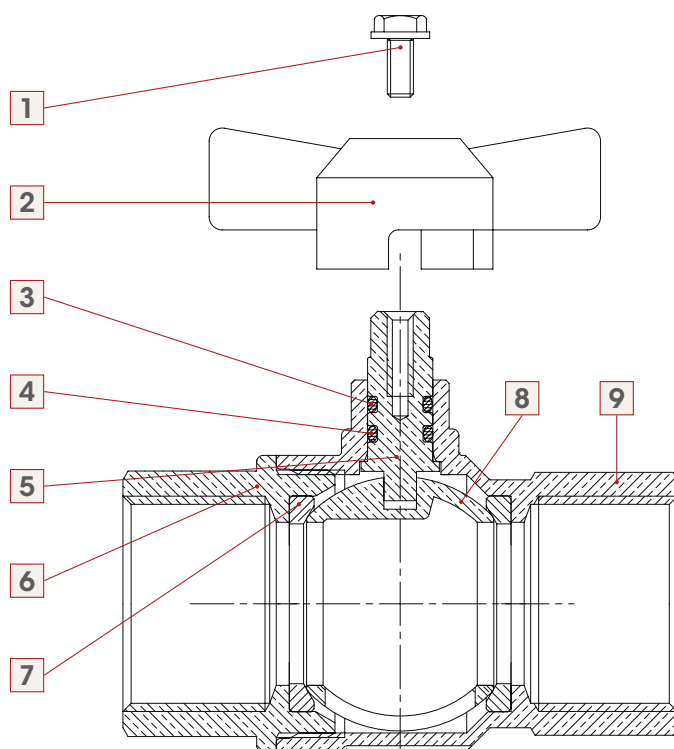


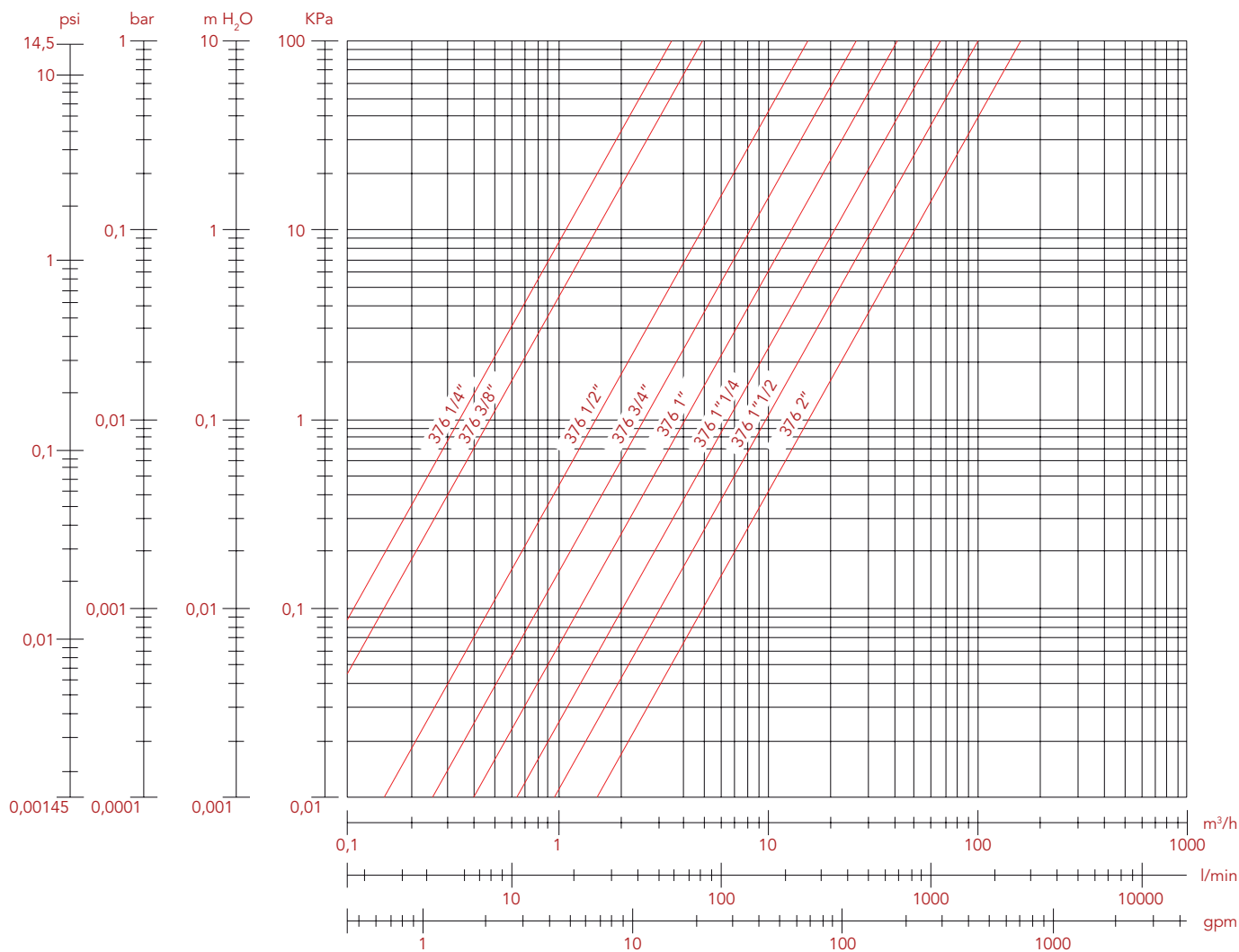
	1/4"	3/8"	1/2"	3/4"	1"
DN	8	10	15	20	25
A	49,5	52,4	61	68	85
B	23,5	24	30,5	37	45,5
C	37,3	37,3	43,8	46,8	50,8
D	47	47	54	62	62
E	10	10	15	20	25
F	11	11,4	15	16,3	19,1
CH	18	21	25	31	38
Kg/cm ² bar	50	50	30	30	30
LBS - psi	725	725	435	435	435



Pos.	DESCRIZIONE / DESCRIPTION	Qt.	MATERIALE / MATERIAL
1	Vite / Screw	1	Acciaio zincato / Zinc-plated steel Fe CB4
2	Maniglia a farfalla / T handle	1	Alluminio / Aluminium
3	Guarnizione / O-Ring	1	VITON®
4	Guarnizione / O-Ring	1	NBR
5	Asta di manovra / Stem	1	Ottone / Brass CW614N
6	Manicotto / End adapter	1	Ottone cromato / Chrome-plated brass CW617N
7	Sede / Seat	2	P.T.F.E.
8	Sfera / Ball	1	Ottone cromato / Chrome-plated brass CW617N
9	Corpo / Body	1	Ottone cromato / Chrome-plated brass CW617N

LOSS WITH WATER DIAGRAM

Art: 376 - 377 - 378 - 379



MISURE	1/4"	3/8"	1/2"	3/4"	1"	1 1/4"	1 1/2"	2"
Ø	10	10	15	20	25	32	40	50
Kv	3,21	4,88	15,32	25,96	41,29	63,27	100	167



DECLARATION OF CONFORMITY

(According to EN ISO/IEC 17050-1)

The ITAP S.p.A. manufacturer of valves, fittings, manifolds and accessories for thermo-sanitary plants, with head office in via Ruca 19/21 – 25065 Lumezzane S.S. (BS) Italy.

DECLARES

Under its sole responsibility that the GREEN® ecological ball valves have been built according to industry standards and conform to their technical specifications, respecting the Company Quality System complies with UNI EN ISO 9001. The GREEN® ecological ball valves are approved for use with water according to the European standard EN 13828 DVGW certificate nr. NW-6102BP5481.

Lumezzane 19 November 2013

Industrial Manager.


ITAP S.p.A.
IL CONSIGLIERE DELEGATO
EZIO PATTI

DECLARATION OF CONFORMITY