

Thumb Knobs

24520.0009

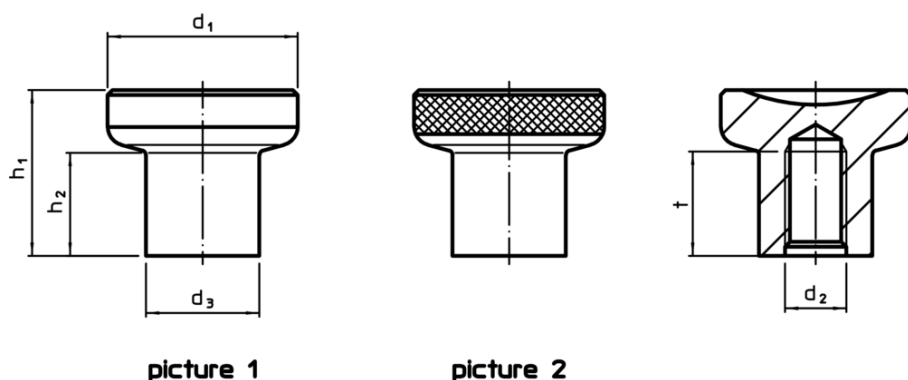


Product Description

Material

- Steel, blackened

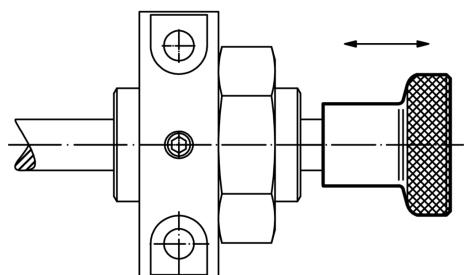
Drawing



Order information

d ₁	d ₂	Dimensions				t min.	[g]	Art. No.
		d ₃	h ₁	h ₂	[mm]			
without knurling – picture 1, steel								
31	M10	18.5	27	17	17	70	24520.0009	

Application example



Compliance

RoHS compliant

Contains lead - compliant according to exceptions 6a / 6b / 6c

Contains SVHC substances >0,1% w/w

Contains lead - SVHC list [REACH] as of 10.06.2022

Contains Proposition 65 substances



Lead can cause cancer and reproductive harm from exposure

<https://www.P65Warnings.ca.gov/>

Free from Conflict Minerals

This product does not contain any substances designated as "conflict minerals" such as tantalum, tin, gold or tungsten from the Democratic Republic of Congo or adjacent countries.