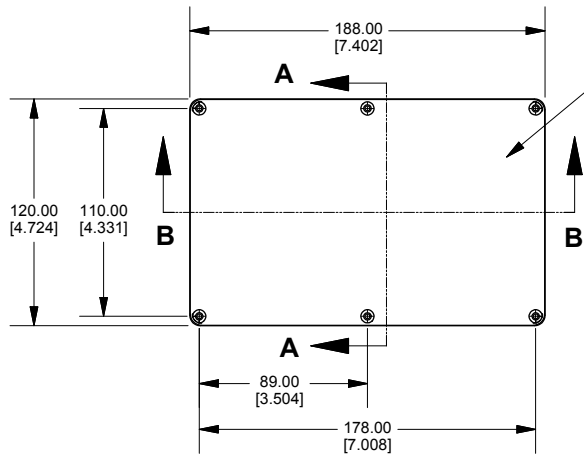
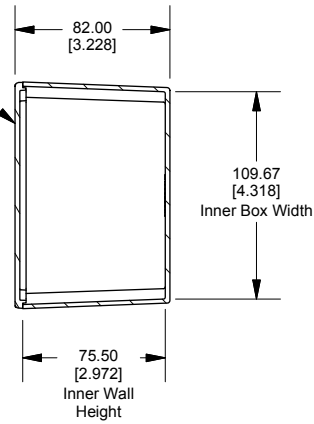


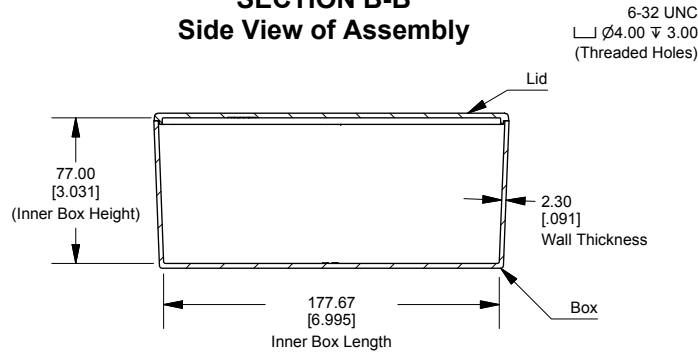
Top View of Assembly



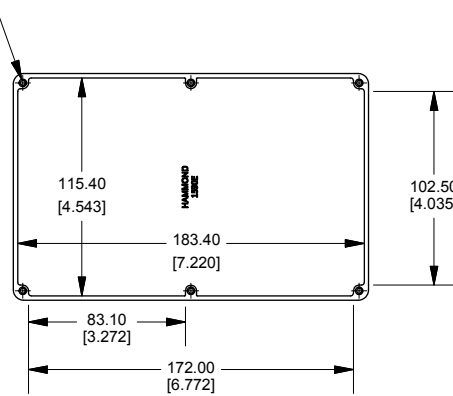
SECTION A-A End View of Assembly



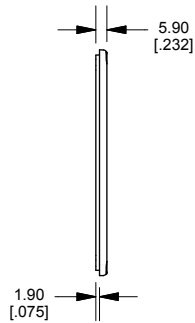
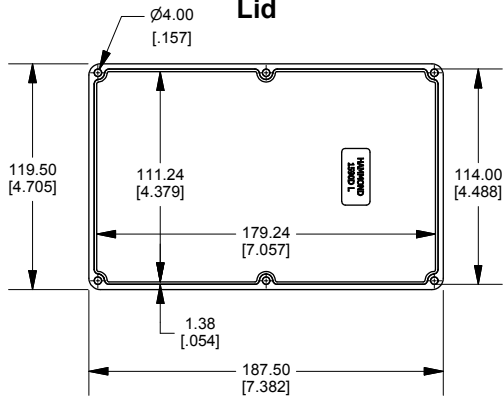
SECTION B-B Side View of Assembly



Top View Looking Inside Box



Lid



Enclosures can be Factory Modified (Milling, Drilling, Printing etc.)
 Contact Factory mjm@hammondmfg.com for quotes
 Solid models of this enclosure available in STEP or IGES.

NOTE

Purchased assembly includes box, lid and 6 cover screws.
 Box and lid are made from Diecast Aluminum Alloy.
 Silicone Gasket supplied with liquid resistant enclosure.

PART NUMBERS

1590E Enclosure	
Natural Finish Enclosure	1590E
Black Textured Enclosure	1590EBK
1590E Liquid Resistant Enclosure (Silicone Gasket)	
Natural Finish Enclosure	1590WE
Black Textured Enclosure	1590WEBK

ACCESSORIES

Recommended Torque: 75 ozf.in / 55 cN.m	
Liquid Resistant Cover Screws	
Stainless Steel Cover Screws (Pkg 100) [6-32 x 1/2" W With O-Ring]	1590WMS100
Black Stainless Steel Cover Screws (Pkg 100) [6-32 x 1/2" W With O-Ring]	1590WMS100BK
Standard Cover Screws	
Plated Cover Screws (Pkg 100) [6-32 x 1/2"]	1590MS100
Black Cover Screws (Pkg 100) [6-32 x 1/2"]	1590MS100BK

Dimensions:
mm
[inches]