



D-Sub angled SMT connector



General information

| | |
|------------------------|--|
| Design | complementary to CECC 75301-802 |
| No. of contacts | 9,15,25,37 |
| Contact spacing | Pitch is 2,76mm |
| Test voltage | 1KV between contacts; 1,2 KV between shell and contact |
| Contact resistance | max. 25mOhm for contact; max.5mOhm for grounding |
| Insulation resistance | min. 5GΩ |
| Working current | 5A max. at 20°C |
| Temperature range | -55°C ... +125°C |
| Termination technology | SMT |
| Clearance | min. 1,0mm between adjacent contacts; min.1,2mm between contacts and shell |
| Creepage | min. 1,0mm between adjacent contacts; min.1,2mm between contacts and shell |
| Insertion force | 30N max. for 9P; 50N max. for 15P; 83N max. for 25P; 123N max. for 37P |
| Withdrawal force | 3,3N min. for 9P; 4,5N min. for 15P; 7,8N min. for 25P; 11N min. for 37P |
| Mating cycles | 250 Cycles for PL2; 500 cycles for PL1 |
| UL file | E102079 |
| RoHS - compliant | Yes |
| Hot plugging | No |

Insulator material

| | |
|---------------------------------|----------------------------------|
| Material | LCP (Liquid Crystalline Polymer) |
| Color | Black |
| UL classification | UL 94-V0 |
| Material group acc. IEC 60664-1 | IIIa (175 ≤ CTI < 400) |

Grounding

| | |
|----------|------------|
| Material | Zn Alloy |
| Plating | Sn over Ni |

Contact material

| | |
|--------------------------|--------------|
| Contact material | Copper alloy |
| Plating termination zone | Sn over Ni |
| Plating contact zone | Au over PdNi |

Current carrying capacity

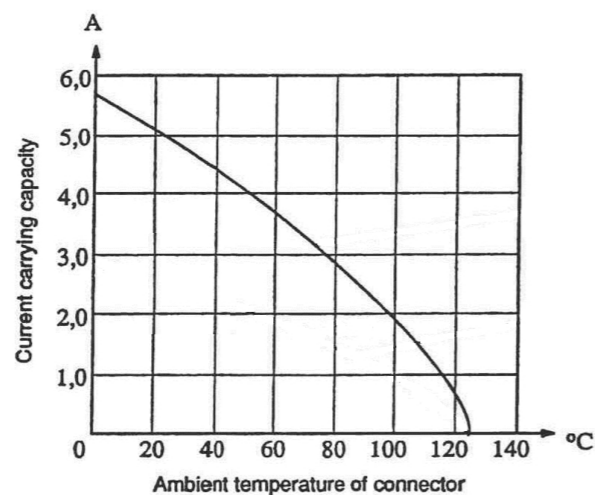
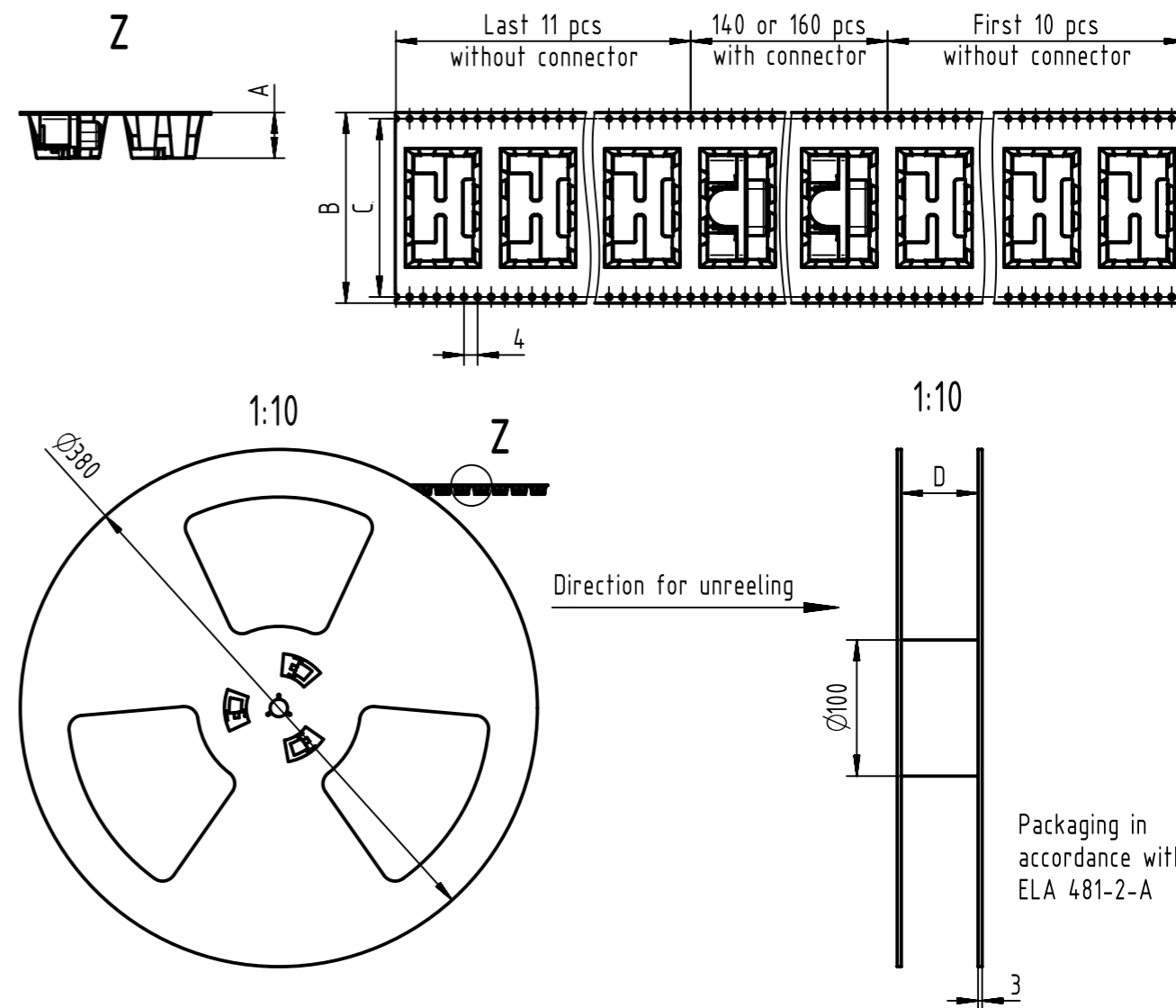


Figure is for 25-pole connector

Packing information



| Part number | A | B | C | D | Part number | A | B | C | D |
|------------------|------|----|------|------|------------------|------|----|------|------|
| 0955 156 X6Y 741 | 13,4 | 56 | 52,4 | 56,4 | 0955 156 X6Y 741 | 16,8 | 56 | 52,4 | 56,4 |
| 0955 256 X6Y 741 | 13,4 | 56 | 52,4 | 56,4 | 0955 256 X6Y 741 | 16,8 | 56 | 52,4 | 56,4 |
| 0955 356 X6Y 741 | 13,4 | 72 | 68,4 | 72,5 | 0955 356 X6Y 741 | 16,8 | 72 | 68,4 | 72,5 |
| 0955 456 X6Y 741 | 13,4 | 88 | 84,4 | 88,4 | 0955 456 X6Y 741 | 16,8 | 88 | 84,4 | 88,4 |
| 0955 166 X8Y 741 | 13,4 | 56 | 52,4 | 56,4 | 0955 166 X8Y 741 | 16,8 | 56 | 52,4 | 56,4 |
| 0955 266 X8Y 741 | 13,4 | 56 | 52,4 | 56,4 | 0955 266 X8Y 741 | 16,8 | 56 | 52,4 | 56,4 |
| 0955 366 X8Y 741 | 13,4 | 72 | 68,4 | 72,5 | 0955 366 X8Y 741 | 16,8 | 72 | 68,4 | 72,5 |
| 0955 466 X8Y 741 | 13,4 | 88 | 84,4 | 88,4 | 0955 466 X8Y 741 | 16,8 | 88 | 84,4 | 88,4 |

X=3,6,7; Y=14,15,16,19,20

X=3,6,7; Y=10,11,12,21,22

| | | | | | | |
|--------------------------|-----------------------|----------------------------|--------------|---------------------|------------|---------------|
| | All rights reserved | Created by | Inspected by | Standardisation | Date | State |
| | Department EC PD - CN | ZHUANGJ | LUOK | HOFFMANN | 2015-03-03 | Final Release |
| HARTING Electronics GmbH | | Title | | Doc-Key / ECM-Nr. | | Page |
| D-32339 Espelkamp | | D-Sub angled SMT connector | | 100590908/UGD/000/A | | 1/1 |
| | | Type | Number | Rev. | | |
| | | DS | 09550200301 | A | | |