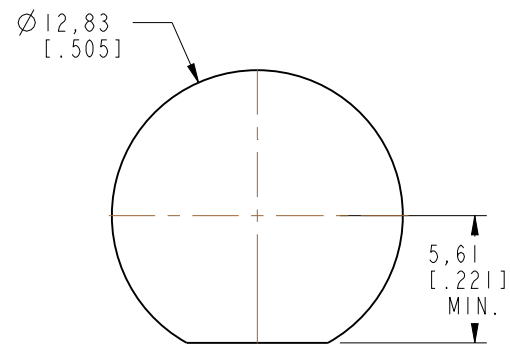


NOTES:

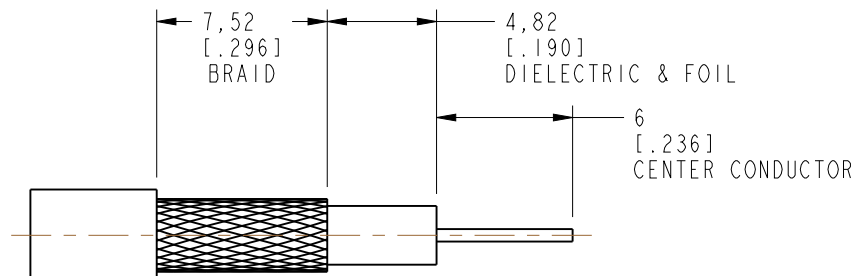
1. MATERIALS AND FINISHES:  
 BODY, HEX NUT - BRASS, NICKEL PLATING  
 CONTACT PIN - PHOSPHOR BRONZE, GOLD PLATING  
 INSULATOR - PTFE, NATURAL  
 LOCK RING - BRASS, GOLD PLATING  
 LOCK WASHER - PHOSPHOR BRONZE, NICKEL PLATING  
 FERRULE - COPPER, NICKEL PLATING
2. ELECTRICAL:  
 A. IMPEDANCE: 75 OHM  
 B. FREQUENCY RANGE: DC - 12 GHz  
 C. RETURN LOSS (VSWR): 20 dB (1.22) DC - 6 GHz  
                                   15 dB (1.43) 6 - 12 GHz  
 D. DIELECTRIC WITHSTANDING VOLTAGE: 1500 VRMS, MIN.
3. MECHANICAL:  
 A. DURABILITY: 500 CYCLES MIN.  
 B. TEMPERATURE RANGE: -65°C TO +165°C
4. CRIMP FERRULE WITH .216" HEX DIE
5. SOLDER OR CRIMP CONTACT WITH .052" HEX DIE
6. SHOWS CABLE ENTRY DIMENSIONS
7. PACKAGING:  
 A. QUANTITY: SINGLE PACK  
 B. BAG TO BE MARKED: AMPHENOL RF  
                                   31-70566-12G  
                                   YYWW

THIRD ANGLE PROJ.

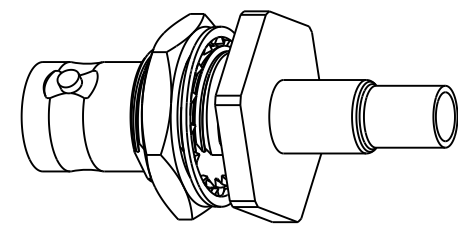
		REVISIONS		
REV	DESCRIPTION	DATE	ECN	APPR
A	RELEASE TO MFG.	14-Jun-19	11922	SV



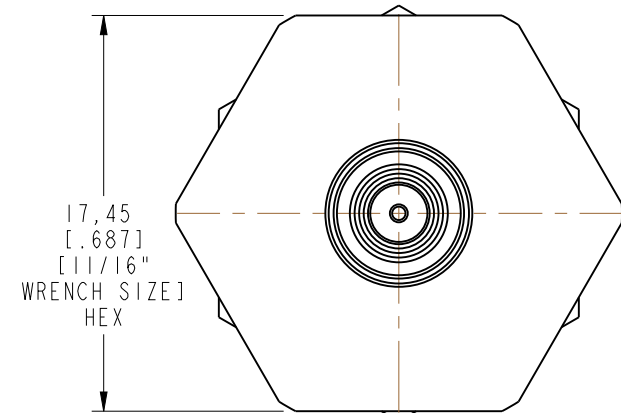
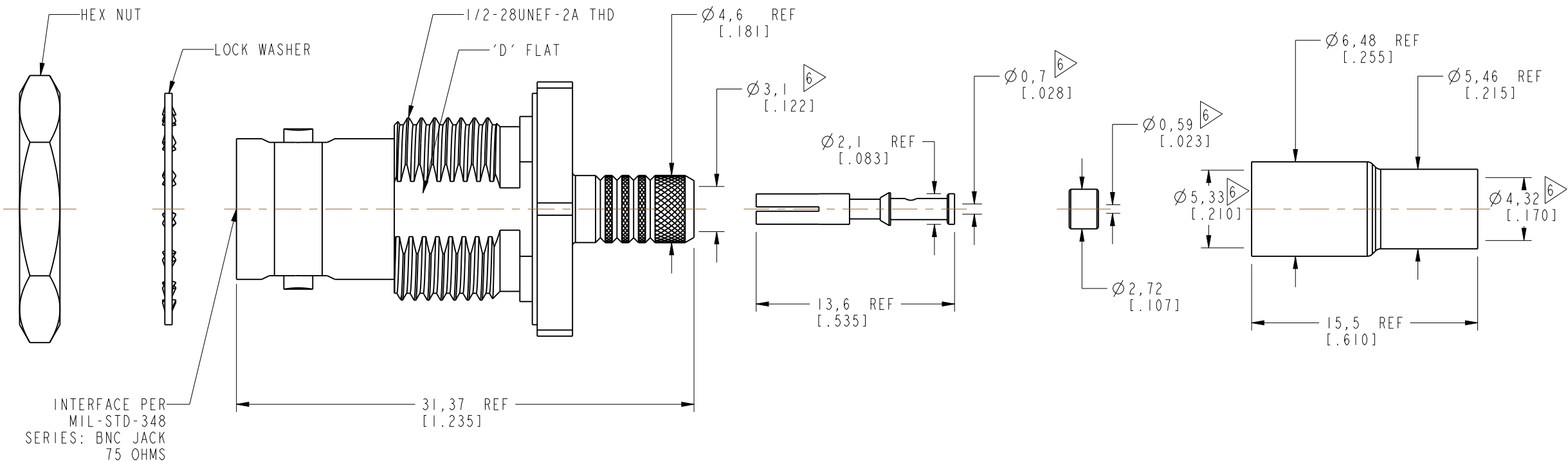
RECOMMENDED MOUNTING PANEL DIMENSIONS



RECOMMENDED CABLE STRIPPING DIMENSIONS



SCALE 1.500



**CUSTOMER OUTLINE DRAWING**  
 ALL OTHER SHEETS ARE FOR INTERNAL USE ONLY

UNLESS OTHERWISE SPECIFIED, DIMENSIONS ARE IN METRIC AND TOLERANCES ARE: <0.5mm ±0.05mm    0.5 - 6mm ±0.1mm    6 - 30mm ±0.2mm    30 - 120mm ±0.3mm    ANGLES ±1°	MATERIAL SEE NOTES	DRAWN S.VO	DATE 14-Feb-19	TITLE BNC BULKHEAD JACK FOR BELDEN 4855R CABLE	Amphenol RF www.amphenolrf.com
	REFERENCE EAR# 8870	ENGINEER S.VO	DATE 14-Feb-19		
NOTICE - These drawings, specifications, or other data (1) are, and remain the property of Amphenol corp. (2) must be returned upon request; and (3) are confidential and not to be disclosed to any person other than those to whom they are given by Amphenol Corp. the furnishing of these drawings, specifications, or other data by Amphenol Corp., or to any other person to anyone for any purpose is not to be regarded by implication or otherwise in any manner licensing, granting rights to permitting such holder or any other person to manufacture, use or sell any product, process or design, patented or otherwise, that may in any way be related to or disclosed by said drawings, specifications, or other data.	REF:	APPROVED	DATE	SCALE: 3.0:1.0	SHEET 2 OF 2
	CONFIGURATION LEVEL: In Work	CAD FILE	DWG SIZE B	REV A	DRAWING NO. 31-70566-12G
	FINISH				ITEM NO. 31-70566-12G