

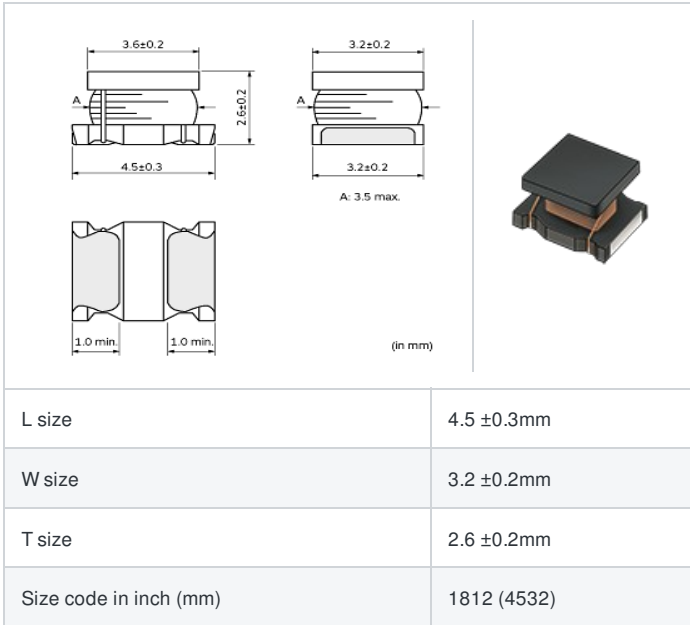
LQH43NH221J03#

indicates a package specification code.



< List of part numbers with package codes >
 LQH43NH221J03L , LQH43NH221J03K

Shape



Notes

When rated current is applied to the products, self-temperature rise shall be limited to 20 °C max and inductance will be within ±10% of nominal value.

References

Packaging code	Specifications	Minimum quantity
L	φ180mm Embossed taping	500
K	φ330mm Embossed taping	2500

Mass (Typ.)	
1 piece	0.13g

Specifications

Inductance	220μH ±5%
Inductance test frequency	1MHz
Rated current (Itemp) (Based on Temperature rise)	100mA
Max. of DC resistance	4.56Ω
Avg. of DC resistance	3.8Ω ±20%
Q (min.)	40
Q test frequency	796kHz
Self resonance frequency (min.)	4.5MHz
Operating temperature range	-40 to 125°C
Class of magnetic shield	No Shield
Series	LQH43NH_03

Attention

- 1.This datasheet is downloaded from the website of Murata Manufacturing Co., Ltd. Therefore, it's specifications are subject to change or our products in it may be discontinued without advance notice. Please check with our sales representatives or product engineers before ordering.
- 2.This datasheet has only typical specifications because there is no space for detailed specifications. Therefore, please review our product specifications or consult the approval sheet for product specifications before ordering.