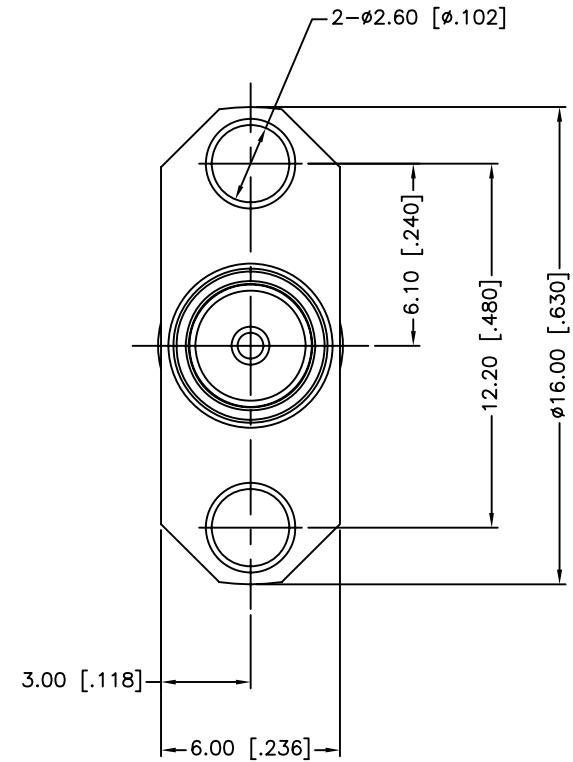
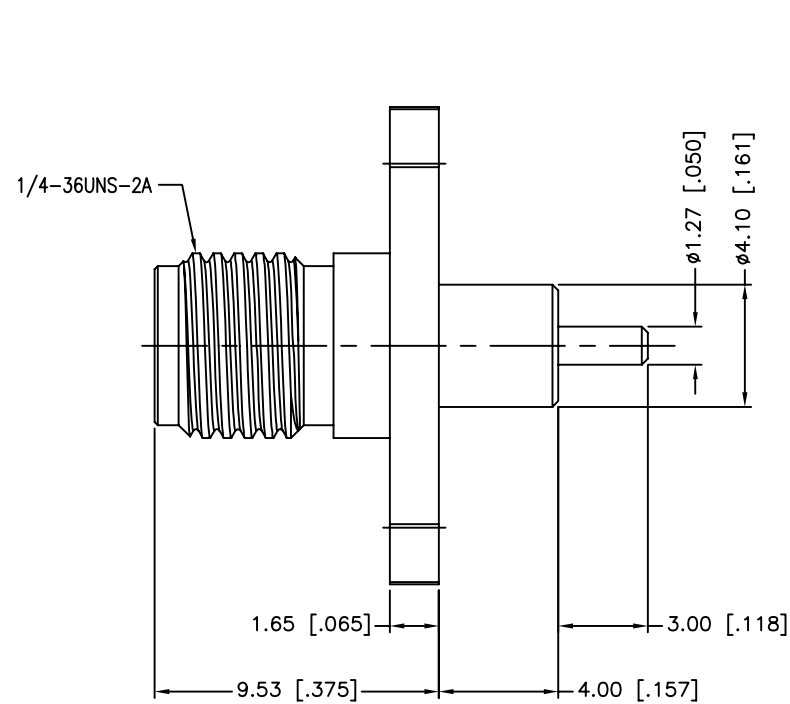


REV.	DATE	ECR NO.	DESCRIPTION
NC	03/26/10	XXXXXX	INITIAL RELEASE
A	04/09/10	2036	THE INSULATION LENGTH AND THE CONTACT LENGTH CHANGED TO .157"/.118"



QTY	FINISH	MATERIAL	DESCRIPTION
1	GOLD	BRASS	RING
1	NATURAL	PTFE	INSULATOR
1	GOLD	BER. COPPER	CONTACT PIN
1	NATURAL	PTFE	INSULATOR
1	GOLD	BRASS	BODY

UNLESS OTHERWISE SPECIFIED DIMENSIONS ARE IN MILLIMETERS. DIMENSIONS IN [] ARE IN INCHES AND FOR CUSTOMER REFERENCE ONLY.

UNLESS OTHERWISE SPECIFIED TOLERANCES FOR MILLIMETERS ARE:
0.5 - 8mm ± 0.20 mm
8 - 30mm ± 0.40 mm
30 - 120mm ± 0.50 mm

UNLESS OTHERWISE SPECIFIED TOLERANCES FOR INCHES ARE:
.020 - .315 = ± 0.007 "
.315 - 1.180 = ± 0.015 "
1.180 - 4.724 = ± 0.020 "

DO NOT SCALE DRAWING

APPROVALS	DATE
DRAWN M.ZHANG	04/09/10
CHECKED	
ISSUED	
SHEET 1 OF 1	
CAD FILE C:/CONNEX/132147-48.DWG	

<h1>Amphenol Connex</h1>			
PART DESCRIPTION SMA PANEL RECEPT. JACK 2 HOLE, EXTENDED,TEFLON/CONTACT .157"/.118"			
PART NO.		132147-48	
DWG. NO.	132147-48.DWG	REV.	A
SIZE	A	SCALE	NA