

## Waterproof USB Connectors

### USB 3.0-Cable

End 1: M16 Panel conn. USB 3.0 Type A

End 2: Plug, USB 3.0 Type A

Protection: IP64 / IP67  
(Assembled with CAP)

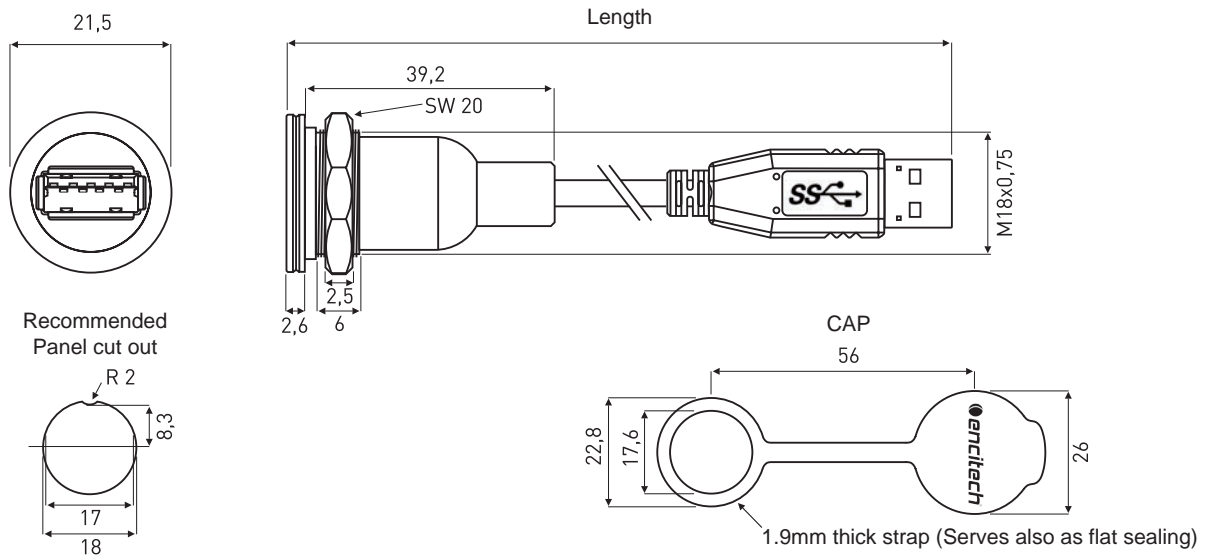
Contacts: 9

Housing: Plastic (PA)

Cap: Elastolan®

Contact plating: Gold

Kit: Including CAP + nut



### USB 3.0 - Type A Panel Connector with Cable

Cable length:	Part No:
0.5m	1310-1015-01
1.0m	1310-1015-02
1.5m	1310-1015-03
2.0m	1310-1015-04
3.0m	1310-1015-05



**Encitech AB**  
Rörkullsvägen 4  
SE-302 41 HALMSTAD, Sweden

Tel.: +46-(0)35-15 13 90  
Fax: +46-(0)35-15 13 99

[www.encitech.com](http://www.encitech.com)