

- 1
- 2
- 3
- 4
- 5
- 6
- 7
- 8
- 9
- 10
- 11
- 12
- 13
- 14
- 15
- 16
- 17
- 18

## BASE

Glass-fibre reinforced polyamide based (PA) technopolymer, black colour, matte finish.

## STANDARD EXECUTIONS

Zinc-plated steel threaded and articulated stem with regulation hexagon:

- **LV.FO**: base without no-slip disk.
- **LV.FO-AS**: base with NBR rubber no-slip disk, hardness 70 Shore A, supplied assembled to the base.

AISI 304 stainless steel articulated and threaded stem with regulation hexagon:

- **LV.FO-SST**: base without no-slip disk.
- **LV.FO-AS-SST**: base with NBR rubber no-slip disk, hardness 70 Shore A, supplied assembled to the base.

## GROUND MOUNTING

By means of two holes, supplied covered by a diaphragm (which can be easily removed by a metal tool), to avoid all unhealthy deposits of dirt and dust when only one hole is used (see Fig. 1).

## FEATURES

The special knurling under the lower lip of the base provides excellent stability and grip when using the levelling element without no-slip disk even on surfaces that are not perfectly flat.

The particular assembling system of the no-slip disk to the base assures a perfect anchoring, preventing separation even in case of impact during transport or of adhesion (sticking) to the floor (see No-slip disks on page 1137).

## ORDER INFORMATION

The levelling elements are supplied unassembled to make carriage and storage easier. The components (base and stem) are supplied in separate packing: less volume taken and better protection from scratches and dirt.

To order bases and stems separately, see:

- table of possible combinations Bases/Stems (see page 1144)
- the codes of the Bases (see page 1139)
- the codes of the Stems (see page 1142).

## ACCESSORIES ON REQUEST

AISI 304 stainless steel or zinc-plated steel nut (see Nuts NT. on page 1137).



ELESA Original design

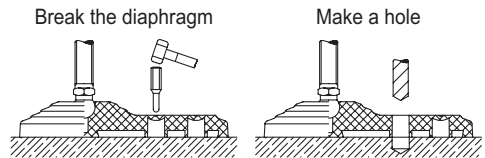
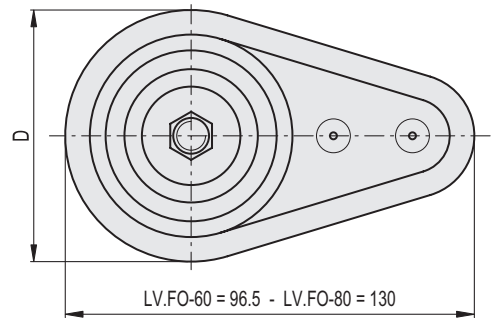
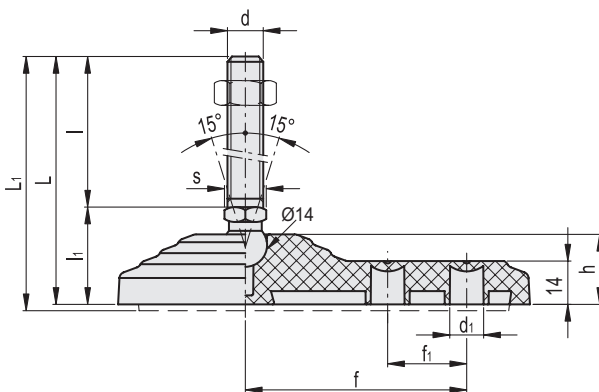


Fig.1



LV.FO

Code	Description	Code	Description	D	d	d1	L	L1#	l	li	h	f	f1	s	Max. limit stati load* [N]	△	△#
513011	LV.FO-60-14-M8x43	516011	LV.FO-60-14-AS-M8x43	60	M8	8.5	73	75	43	30	21	50	18	14	14000	78	94
513016	LV.FO-60-14-M8x68	516016	LV.FO-60-14-AS-M8x68	60	M8	8.5	98	100	68	30	21	50	18	14	14000	90	106
513021	LV.FO-60-14-M10x43	516021	LV.FO-60-14-AS-M10x43	60	M10	8.5	73	75	43	30	21	50	18	14	14000	87	103
513026	LV.FO-60-14-M10x68	516026	LV.FO-60-14-AS-M10x68	60	M10	8.5	98	100	68	30	21	50	18	14	14000	99	115
513031	LV.FO-60-14-M10x98	516031	LV.FO-60-14-AS-M10x98	60	M10	8.5	128	130	98	30	21	50	18	14	14000	113	129
513036	LV.FO-60-14-M12x43	516036	LV.FO-60-14-AS-M12x43	60	M12	8.5	73	75	43	30	21	50	18	14	14000	97	113
513041	LV.FO-60-14-M12x68	516041	LV.FO-60-14-AS-M12x68	60	M12	8.5	98	100	68	30	21	50	18	14	14000	114	130
513046	LV.FO-60-14-M12x98	516046	LV.FO-60-14-AS-M12x98	60	M12	8.5	128	130	98	30	21	50	18	14	14000	135	151
513047	LV.FO-60-14-M14x68	516047	LV.FO-60-14-AS-M14x68	60	M14	8.5	98	100	68	30	21	50	18	14	14000	136	152
513049	LV.FO-60-14-M14x98	516049	LV.FO-60-14-AS-M14x98	60	M14	8.5	128	130	98	30	21	50	18	14	14000	157	174
513050	LV.FO-60-14-M14x148	516050	LV.FO-60-14-AS-M14x148	60	M14	8.5	178	180	148	30	21	50	18	14	14000	240	256
513051	LV.FO-60-14-M16x68	516051	LV.FO-60-14-AS-M16x68	60	M16	8.5	98	100	68	30	21	50	18	16	14000	158	174
513056	LV.FO-60-14-M16x108	516056	LV.FO-60-14-AS-M16x108	60	M16	8.5	138	140	108	30	21	50	18	16	14000	210	226
513061	LV.FO-60-14-M16x148	516061	LV.FO-60-14-AS-M16x148	60	M16	8.5	178	180	148	30	21	50	18	16	14000	262	278
513066	LV.FO-60-14-M16x168	516066	LV.FO-60-14-AS-M16x168	60	M16	8.5	198	200	168	30	21	50	18	16	14000	288	304
513121	LV.FO-80-14-M8x43	516121	LV.FO-80-14-AS-M8x43	80	M8	10.5	74	76	43	31	22	70	25	14	16000	116	146
513125	LV.FO-80-14-M8x68	516125	LV.FO-80-14-AS-M8x68	80	M8	10.5	99	101	68	31	22	70	25	14	16000	128	158
513221	LV.FO-80-14-M10x43	516221	LV.FO-80-14-AS-M10x43	80	M10	10.5	74	76	43	31	22	70	25	14	16000	125	155
513225	LV.FO-80-14-M10x68	516225	LV.FO-80-14-AS-M10x68	80	M10	10.5	99	101	68	31	22	70	25	14	16000	137	167
513231	LV.FO-80-14-M10x98	516231	LV.FO-80-14-AS-M10x98	80	M10	10.5	129	131	98	31	22	70	25	14	16000	151	181
513321	LV.FO-80-14-M12x43	516321	LV.FO-80-14-AS-M12x43	80	M12	10.5	74	76	43	31	22	70	25	14	16000	135	165
513325	LV.FO-80-14-M12x68	516325	LV.FO-80-14-AS-M12x68	80	M12	10.5	99	101	68	31	22	70	25	14	16000	152	182
513331	LV.FO-80-14-M12x98	516331	LV.FO-80-14-AS-M12x98	80	M12	10.5	129	131	98	31	22	70	25	14	16000	173	203
513421	LV.FO-80-14-M14x68	516421	LV.FO-80-14-AS-M14x68	80	M14	10.5	99	101	68	31	22	70	25	14	16000	174	204
513431	LV.FO-80-14-M14x98	516431	LV.FO-80-14-AS-M14x98	80	M14	10.5	129	131	98	31	22	70	25	14	16000	196	225
513441	LV.FO-80-14-M14x148	516441	LV.FO-80-14-AS-M14x148	80	M14	10.5	179	181	148	31	22	70	25	14	16000	278	308
513521	LV.FO-80-14-M16x68	516521	LV.FO-80-14-AS-M16x68	80	M16	10.5	99	101	68	31	22	70	25	16	16000	196	226
513525	LV.FO-80-14-M16x108	516525	LV.FO-80-14-AS-M16x108	80	M16	10.5	139	141	108	31	22	70	25	16	16000	248	278
513541	LV.FO-80-14-M16x148	516541	LV.FO-80-14-AS-M16x148	80	M16	10.5	179	181	148	31	22	70	25	16	16000	300	330
513561	LV.FO-80-14-M16x168	516561	LV.FO-80-14-AS-M16x168	80	M16	10.5	199	201	168	31	22	70	25	16	16000	326	356

LV.FO-SST



533011	LV.FO-60-14-SST-M8x43	535901	LV.FO-60-14-AS-SST-M8x43	60	M8	8.5	73	75	43	30	21	50	18	14	14000	79	95
533016	LV.FO-60-14-SST-M8x68	535906	LV.FO-60-14-AS-SST-M8x68	60	M8	8.5	98	100	68	30	21	50	18	14	14000	91	107
533021	LV.FO-60-14-SST-M10x43	535911	LV.FO-60-14-AS-SST-M10x43	60	M10	8.5	73	75	43	30	21	50	18	14	14000	88	104
533026	LV.FO-60-14-SST-M10x68	535916	LV.FO-60-14-AS-SST-M10x68	60	M10	8.5	98	100	68	30	21	50	18	14	14000	101	117
533031	LV.FO-60-14-SST-M10x98	535921	LV.FO-60-14-AS-SST-M10x98	60	M10	8.5	128	130	98	30	21	50	18	14	14000	115	131
533036	LV.FO-60-14-SST-M12x43	535926	LV.FO-60-14-AS-SST-M12x43	60	M12	8.5	73	75	43	30	21	50	18	14	14000	98	114
533041	LV.FO-60-14-SST-M12x68	535931	LV.FO-60-14-AS-SST-M12x68	60	M12	8.5	98	100	68	30	21	50	18	14	14000	116	132
533046	LV.FO-60-14-SST-M12x98	535936	LV.FO-60-14-AS-SST-M12x98	60	M12	8.5	128	130	98	30	21	50	18	14	14000	138	154
533047	LV.FO-60-14-SST-M14x68	535937	LV.FO-60-14-AS-SST-M14x68	60	M14	8.5	98	100	68	30	21	50	18	14	14000	139	155
533049	LV.FO-60-14-SST-M14x98	535939	LV.FO-60-14-AS-SST-M14x98	60	M14	8.5	128	130	98	30	21	50	18	14	14000	160	176
533050	LV.FO-60-14-SST-M14x148	535940	LV.FO-60-14-AS-SST-M14x148	60	M14	8.5	178	180	148	30	21	50	18	14	14000	243	259
533051	LV.FO-60-14-SST-M16x68	535941	LV.FO-60-14-AS-SST-M16x68	60	M16	8.5	98	100	68	30	21	50	18	16	14000	161	177
533056	LV.FO-60-14-SST-M16x108	535946	LV.FO-60-14-AS-SST-M16x108	60	M16	8.5	138	140	108	30	21	50	18	16	14000	215	231
533061	LV.FO-60-14-SST-M16x148	535951	LV.FO-60-14-AS-SST-M16x148	60	M16	8.5	178	180	148	30	21	50	18	16	14000	268	284
533066	LV.FO-60-14-SST-M16x168	535956	LV.FO-60-14-AS-SST-M16x168	60	M16	8.5	198	200	168	30	21	50	18	16	14000	295	311
533121	LV.FO-80-14-SST-M8x43	536121	LV.FO-80-14-AS-SST-M8x43	80	M8	10.5	74	76	43	31	22	70	25	14	16000	117	147
533125	LV.FO-80-14-SST-M8x68	536125	LV.FO-80-14-AS-SST-M8x68	80	M8	10.5	99	101	68	31	22	70	25	14	16000	129	159
533221	LV.FO-80-14-SST-M10x43	536221	LV.FO-80-14-AS-SST-M10x43	80	M10	10.5	74	76	43	31	22	70	25	14	16000	126	156
533225	LV.FO-80-14-SST-M10x68	536225	LV.FO-80-14-AS-SST-M10x68	80	M10	10.5	99	101	68	31	22	70	25	14	16000	139	169
533231	LV.FO-80-14-SST-M10x98	536231	LV.FO-80-14-AS-SST-M10x98	80	M10	10.5	129	131	98	31	22	70	25	14	16000	153	183
533321	LV.FO-80-14-SST-M12x43	536321	LV.FO-80-14-AS-SST-M12x43	80	M12	10.5	74	76	43	31	22	70	25	14	16000	136	166
533325	LV.FO-80-14-SST-M12x68	536325	LV.FO-80-14-AS-SST-M12x68	80	M12	10.5	99	101	68	31	22	70	25	14	16000	154	184
533331	LV.FO-80-14-SST-M12x98	536331	LV.FO-80-14-AS-SST-M12x98	80	M12	10.5	129	131	98	31	22	70	25	14	16000	176	206
533421	LV.FO-80-14-SST-M14x68	536421	LV.FO-80-14-AS-SST-M14x68	80	M14	10.5	99	101	68	31	22	70	25	14	16000	177	207
533431	LV.FO-80-14-SST-M14x98	536431	LV.FO-80-14-AS-SST-M14x98	80	M14	10.5	129	131	98	31	22	70	25	14	16000	198	228
533441	LV.FO-80-14-SST-M14x148	536441	LV.FO-80-14-AS-SST-M14x148	80	M14	10.5	179	181	148	31	22	70	25	14	16000	281	311
533521	LV.FO-80-14-SST-M16x68	536521	LV.FO-80-14-AS-SST-M16x68	80	M16	10.5	99	101	68	31	22	70	25	16	16000	199	229
533525	LV.FO-80-14-SST-M16x108	536525	LV.FO-80-14-AS-SST-M16x108	80	M16	10.5	139	141	108	31	22	70	25	16	16000	253	283
533541	LV.FO-80-14-SST-M16x148	536541	LV.FO-80-14-AS-SST-M16x148	80	M16	10.5	179	181	148	31	22	70	25	16	16000	306	336
533561	LV.FO-80-14-SST-M16x168	536561	LV.FO-80-14-AS-SST-M16x168	80	M16	10.5	199	201	168	31	22	70	25	16	16000	333	363

\* The max static load is the value above which the load applied to the element may cause some plastic material breakage, in particular conditions of use. Obviously, a factor that takes into consideration the importance and the safety level of the specific application must be applied to this value.

# Data with no-slip disk mounted.

Levelling elements and supports