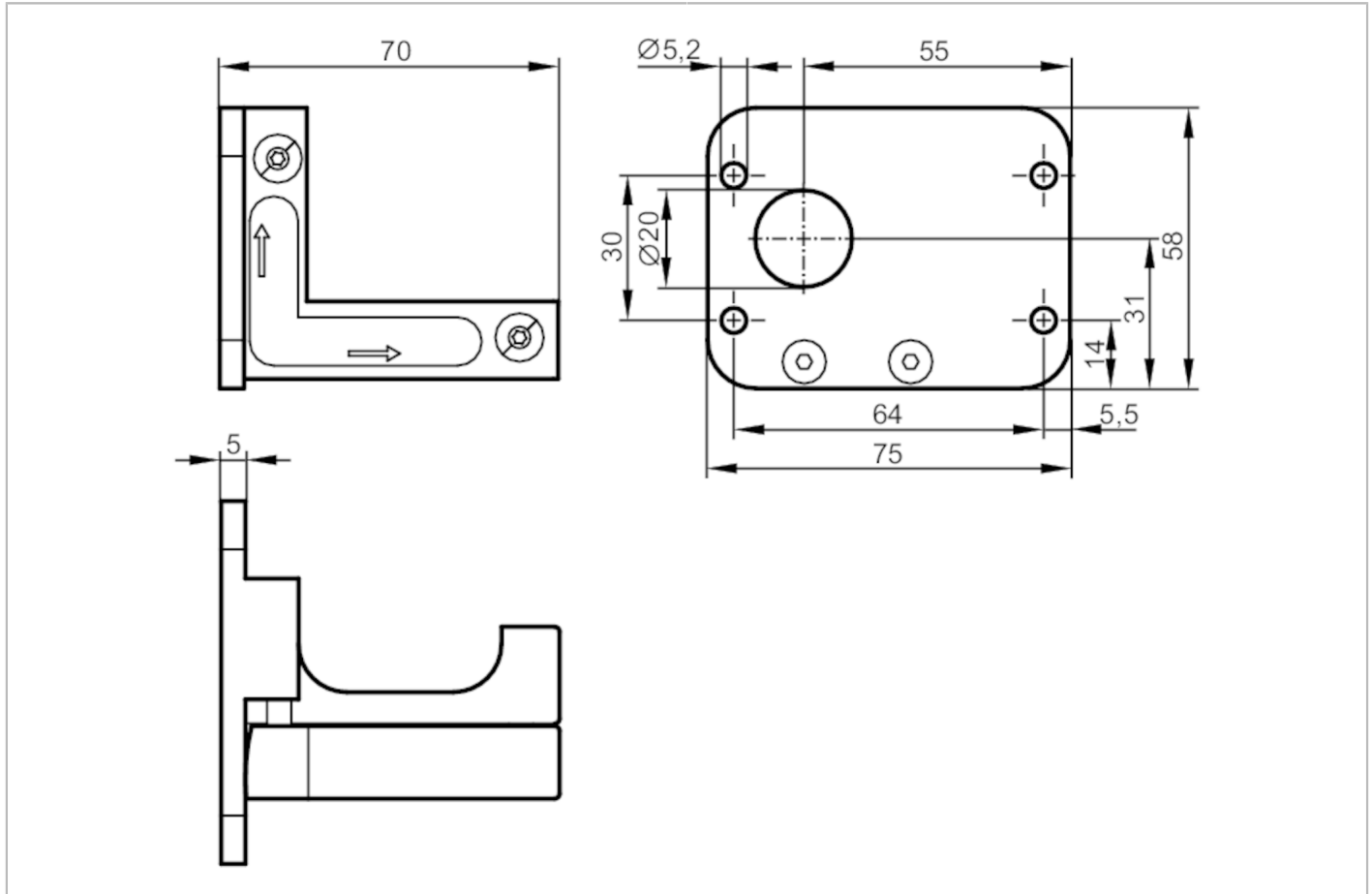


# E1D100



## Fixture for mounting and fine adjustment of laser sensors

FINE ADJUSTMENT FOR O1D



Application	
Design	clamp mounting
Mechanical data	
Weight [g]	190.5
Type of mounting	rod or free-standing depending on the clamp
Dimensions [mm]	58 x 75 x 70
Materials	fixture: aluminium uncoloured anodised; plastics: POM; screws: stainless steel
Remarks	
Pack quantity	1 pcs.

# E1D100



## Fixture for mounting and fine adjustment of laser sensors

FINE ADJUSTMENT FOR O1D

### Diagrams and graphs

#### Installation

