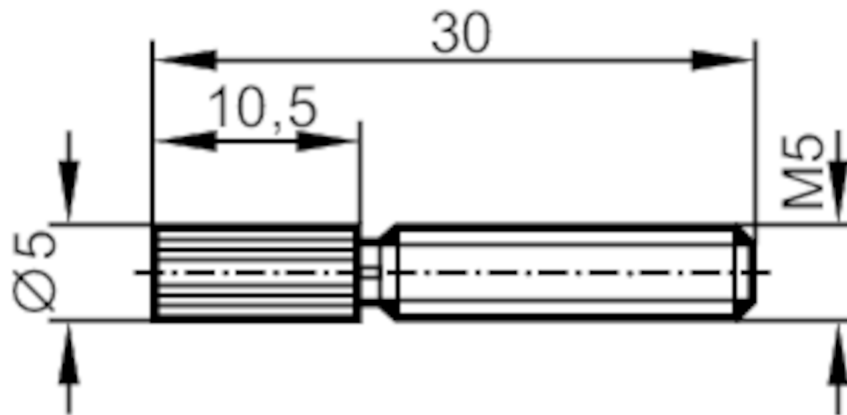


E20767



Sensing head for fibre optic through-beam sensor

FE-11-EPA-M5x30/F1x1



Application

Function principle Through-beam sensor

Detection zone

Range with fibre optic amplifier type OB50; OBF; OO50

OB50

Range of fibre optics [mm] 175

OBF

Range of fibre optics [mm] 370

OO50

Range of fibre optics [mm] 700

Operating conditions

Ambient temperature [°C] -40...70

E20767



Sensing head for fibre optic through-beam sensor

FE-11-EPA-M5x30/F1x1

Mechanical data	
Weight [g]	10.7
Version of sensing head	straight
Sensing head thread	M5
Total length [mm]	configurable
Fibre arrangement	●
Materials	brass white bronze coated
Fibre material	PMMA
Fibre head material	aluminium
Accessories	
Accessories (supplied)	hexagon nuts: 4 x M5
	washers: 4
Remarks	
Pack quantity	1 pcs.