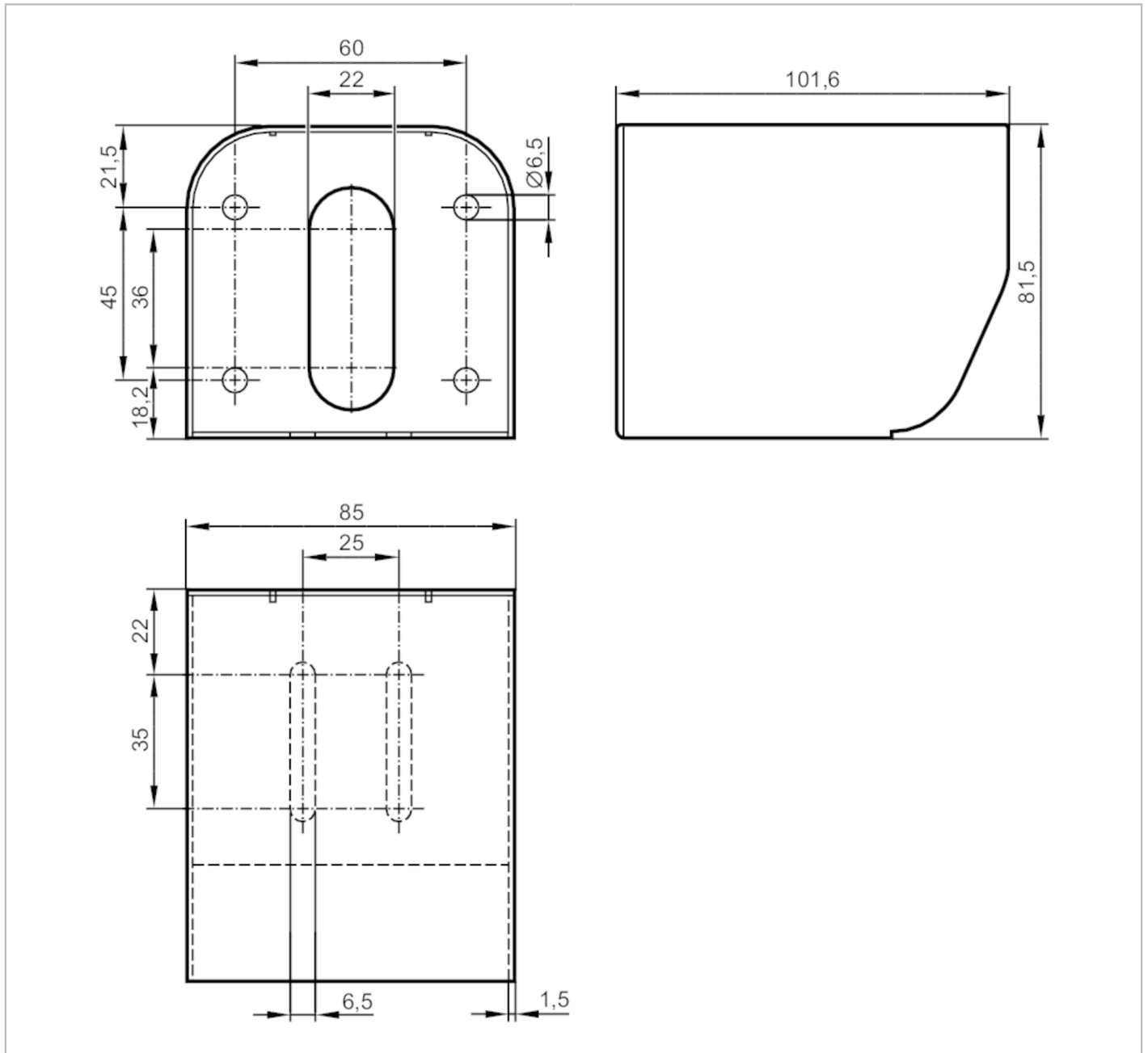


# E2M212



## Protective housing for analogue cameras

PROTECTIVE COVER CCC



### Operating conditions

Ambient temperature	[°C]	-40...85
---------------------	------	----------

### Mechanical data

Weight	[g]	374
Dimensions	[mm]	81.5 x 85 x 101.6
Materials		housing: stainless steel (1.4301 / 304)

### Remarks

Pack quantity		1 pcs.
---------------	--	--------