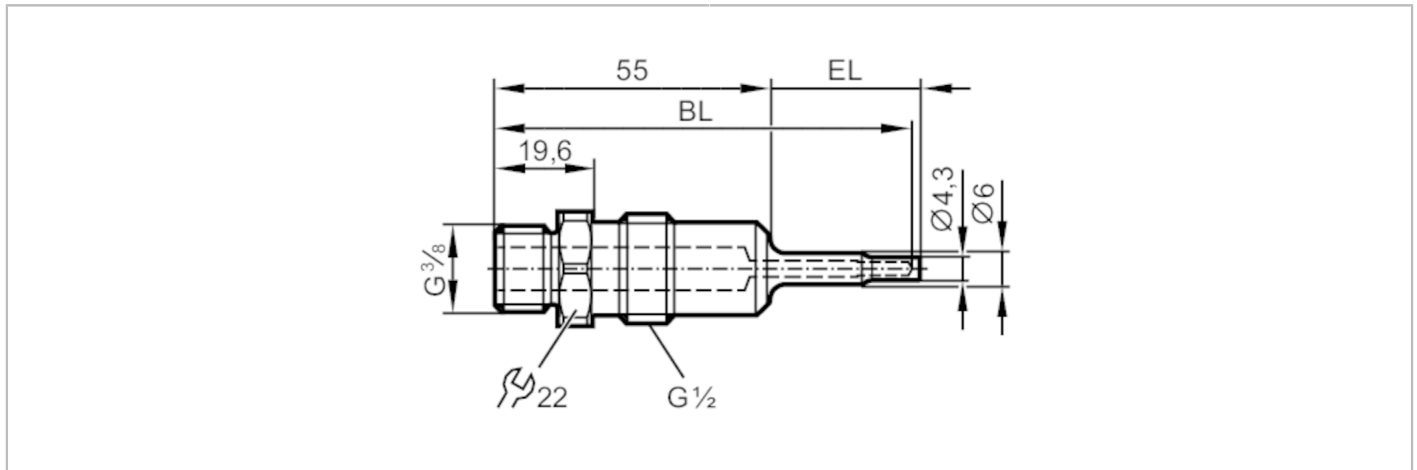


# E38515



## Thermowell for temperature sensors

THERMOWELL, D3/G1/2 conical/EL=30



EC 1935/2004 

Application	
Design	for temperature sensors EL = 83 mm
Pressure rating [bar]	16
Mechanical data	
Weight [g]	97
Materials	stainless steel (1.4435 / 316L)
Sensor connection	G 3/8 internal thread Ø 3 mm
Process connection	G 1/2
Surface characteristics Ra/Rz of the wetted parts	< 0.4 / -
Installation length EL [mm]	30
Bore length BL [mm]	83
Remarks	
Pack quantity	1 pcs.