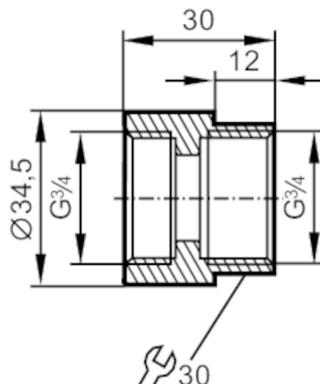


# E40216



## Mounting adapter for inline flow sensors

SREW-IN ADAPTER 3/4" SM



Application	
Design	for flow monitors SM7 / SU7
Mechanical data	
Weight [g]	221.7
Materials	Adapter: stainless steel (1.4404 / 316L); Gasket: Centellen 17 x 24 x 3 mm
Sensor connection	G 3/4
Process connection	G 3/4
Accessories	
Accessories (supplied)	O-rings: 2
Remarks	
Pack quantity	2 pcs.