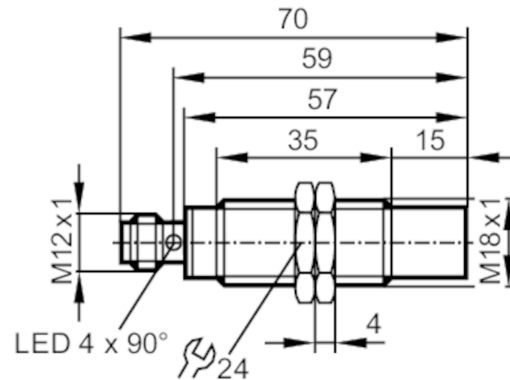


IG511A



Inductive full-metal sensor

IGK3012-BPKG/AM/P/US104/3G/3D



Product characteristics

Electrical design		PNP
Output function		normally open
Sensing range	[mm]	12
Housing		threaded type
Dimensions	[mm]	M18 x 1 / L = 70

Application

Special feature		Gold-plated contacts; Increased sensing range; Full-metal housing
Pressure rating	[bar]	100
Note on pressure rating		sensing face

Electrical data

Operating voltage	[V]	10...36 DC
Current consumption	[mA]	< 25
Protection class		III; (PELV)
Reverse polarity protection		yes

Outputs



Electrical design		PNP
Output function		normally open
Max. voltage drop switching output DC	[V]	2.5
Permanent current rating of switching output DC	[mA]	100
Switching frequency DC	[Hz]	500
Short-circuit protection		yes
Type of short-circuit protection		pulsed
Overload protection		yes

IG511A



Inductive full-metal sensor

IGK3012-BPKG/AM/P/US104/3G/3D

Detection zone		
Sensing range	[mm]	12
Real sensing range Sr	[mm]	12 ± 10 %
Operating distance	[mm]	0...9.7
Increased sensing range		yes
Accuracy / deviations		
Correction factor		steel: 1 / stainless steel: 1 / brass: 0.7 / aluminium: 0.6 / copper: 0.4
Hysteresis	[% of Sr]	1...20
Switch point drift	[% of Sr]	-10...10
Operating conditions		
Ambient temperature	[°C]	-40...60
Protection		IP 67; (when used outside the hazardous area: IP 65, IP 67, IP 68, IP 69K)
Tests / approvals		
ATEX marking		 II 3G Ex nA IIC T4 Gc X
		 II 3D Ex tc IIIC T95°C Dc IP67 X
EMC	EN 61000-4-2 ESD	4 kV CD / 8 kV AD
	EN 61000-4-3 HF radiated	10 V/m
	EN 61000-4-4 Burst	2 kV
	EN 61000-4-6 HF conducted	10 V
	EN 55011 emission	class B
Impact resistance		1 J
MTTF	[years]	717
Mechanical data		
Weight	[g]	79.5
Housing		threaded type
Mounting		non-flush mountable
Dimensions	[mm]	M18 x 1 / L = 70
Thread designation		M18 x 1
Materials		stainless steel (1.4404 / 316L); PEI; lock nuts: brass
Full-metal housing		yes
Displays / operating elements		
Display	switching status	4 x 90° LED, yellow
Accessories		
Accessories (supplied)		lock nuts: 2
Remarks		
Remarks		To maintain the EMC data: Equalise potential by connecting the sensor housing to the machine earth.
Pack quantity		1 pcs.
Electrical connection - plug		
Connector: 1 x M12; Contacts: gold-plated		

IG511A

Inductive full-metal sensor

IGK3012-BPKG/AM/P/US104/3G/3D



Connection



Diagrams and graphs

Installation

