

MOELLER CONTACTOR SUPPRESSOR

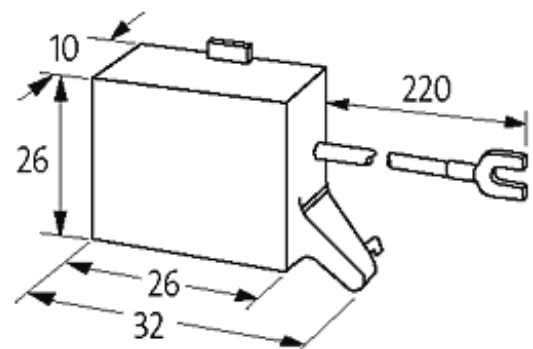
RC, 110/230VAC

110 V AC/DC

230 V AC/DC

RC

For other configurations and voltages, please inquire

[Link to Product](#)**Illustration**



RC

Product may differ from Image

Approvals



Appropriate contactors

DIL E...

XTMC

Technical Data

Damping factor approx. 1.5 × UN

Material Flame retardant plastic acc. to (UL 94)

Connection wires self-securing cable forks

General data

Temperature range -20...+70 °C

Dimensions H × W × D 27.5×10×32 mm

Commercial data

country of origin CZ

customs tariff number 85363010

minimum order quantity 1