

M12 male 0° shielded Y-cod. with cable, Hybrid

PUR 4xAWG20+1x4xAWG26 shielded bk 3m

M12

Male straight

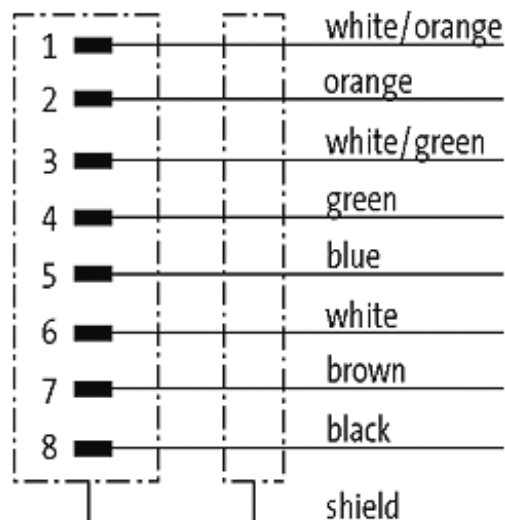
Ethernet CAT 5

8-pole, shielded

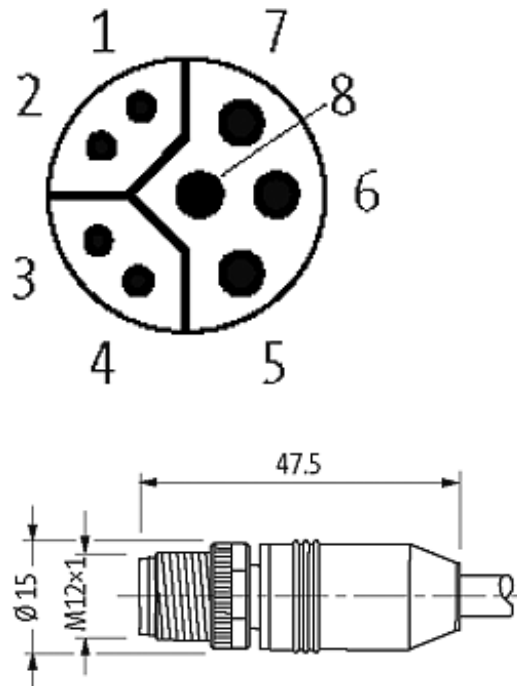
Further cable lengths on request. Plastic housings with good resistance against chemicals and oils. The resistance to aggressive media should be individually tested for your application. Further details on request.

[Link to Product](#)

Illustration



Male



Product may differ from Image

Approvals



Form

15501

Technical Data

| | |
|-------------------------------|---|
| Operating voltage | 30 V DC |
| Operating current per contact | max. 0.5 A/max. 6 A |
| Locking of ports | Screw thread M12 × 1 mm (recommended torque 0.6 Nm) self-securing |
| Protection | IP67 inserted and tightened (EN 60529) |

Cables

| | |
|-----------------------------|---|
| Cable number | 805 |
| No./diameter of wires | 4×0.6 mm ² + 1×(4×0.15 mm ²) |
| Wire isolation | PP (whor, or, whgn, gn, bk, br, wh, bl) |
| C-track properties | 5 Mio. |
| Torsion | 2 Mio. ± 30°/m |
| Jacket Color | black |
| Shore hardness outer jacket | 90 ± 5A |

The information in this brochure has been compiled with the utmost care.

Liability for the correctness completeness and topicality of the information is restricted to gross negligence. Version: 05/15

Murrelektronik GmbH | Falkenstraße 3, 71570 Oppenweiler | Fon +49 (71 91) 47-0, Fax +49 (71 91) 47-491000 | shop@murrelektronik.de | shop.murrelektronik.de

| | |
|----------------------------|----------------|
| Material (jacket) | PUR (UL/CSA) |
| Outer diameter | approx. 8.1 mm |
| Bend radius (fixed) | 5 × outer Ø |
| Bend radius (moving) | 10 × outer Ø |
| Temperature range (fixed) | -50...+80 °C |
| Temperature range (mobile) | -40...+80 °C |
| Shielded | yes |

General data

| | |
|-------------------|--|
| Temperature range | -25...+85 °C, depending on cable quality |
|-------------------|--|

Commercial data

| | |
|------------------------|----------|
| country of origin | DE |
| customs tariff number | 85444290 |
| minimum order quantity | 1 |